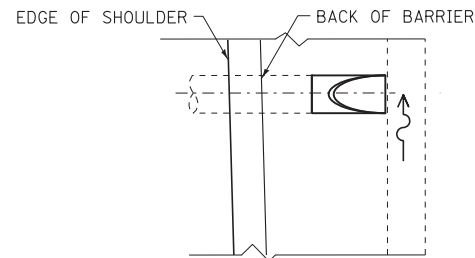
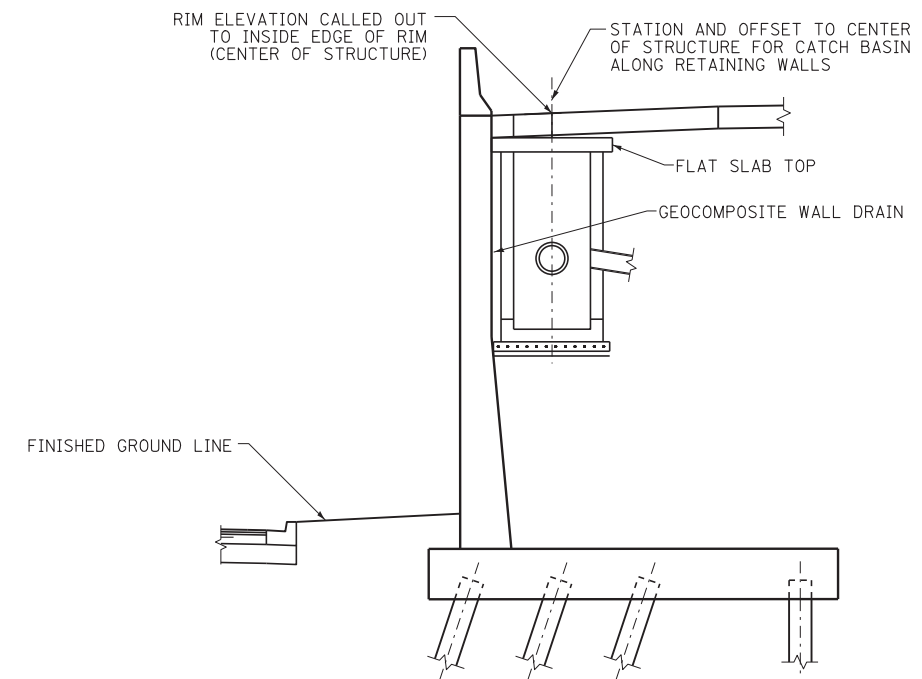


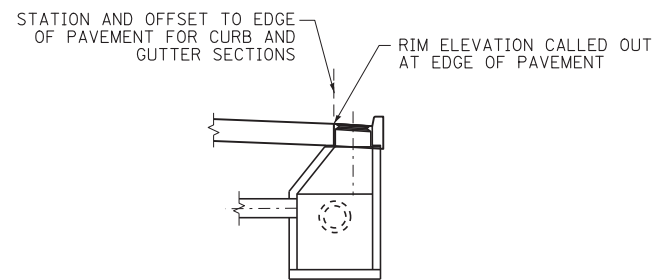
ELEVATION - FLARED END SECTION



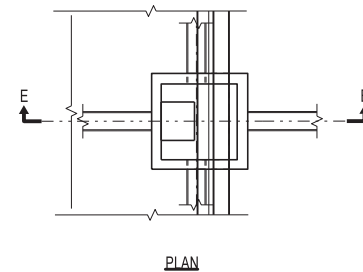
PLAN VIEW - FLARED END SECTION



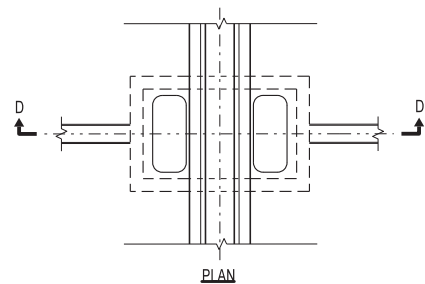
ELEVATION - CATCH BASIN ALONG RETAINING WALLS



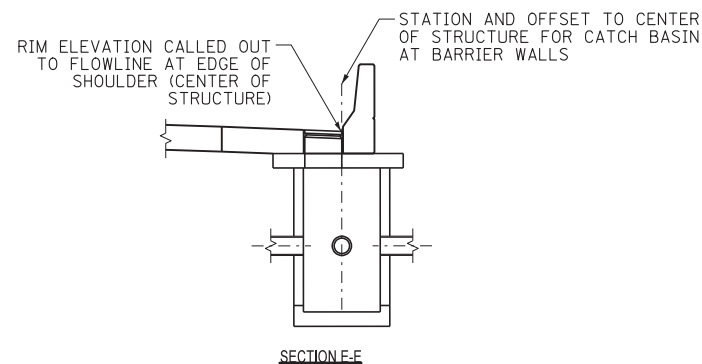
ELEVATION - CATCH BASIN W/CURB & GUTTER



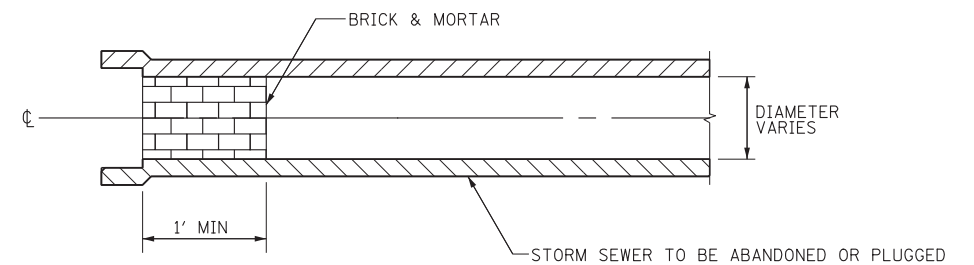
PLAN VIEW - CATCH BASINS AT BARRIER WALLS



PLAN VIEW - DRAINAGE STRUCTURES UNDER BARRIER WALLS

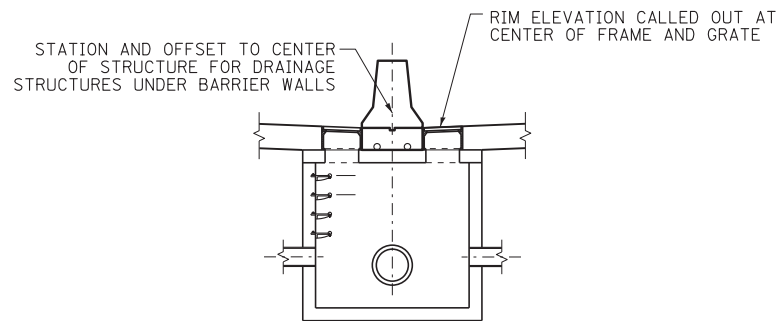


ELEVATION - CATCH BASINS AT BARRIERS WALLS

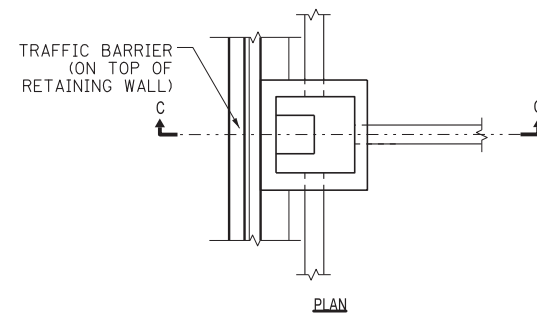


STORM SEWER PLUG

NOTE:
THIS WORK SHALL BE CONSIDERED AS INCLUDED IN THE CONTRACT UNIT PRICE BID FOR THE STORM SEWER ITEMS.



ELEVATION - DRAINAGE STRUCTURES UNDER BARRIER WALLS



PLAN VIEW - CATCH BASINS ALONG RETAINING WALLS



USER NAME = mikosir	DESIGNED MAM/PMS	REVISED -
	DRAWN PMS	REVISED -
PLOT SCALE = 5/8"=1'	CHECKED MAM	REVISED -
PLOT DATE = 19-OCT-2012	DATE 10/19/12	REVISED -

**STATE OF ILLINOIS
DEPARTMENT OF TRANSPORTATION**

**DRAINAGE DETAILS
DRAINAGE STRUCTURE PLACEMENT**

SCALE: SHEET NO. OF SHEETS STA. TO STA.

F.A.P. RTE.	SECTION	COUNTY	TOTAL SHEETS	SHEET NO.
330	0105 WRS&HB	COOK	605	194
			CONTRACT NO. 60G37	
ILLINOIS FED. AID PROJECT				