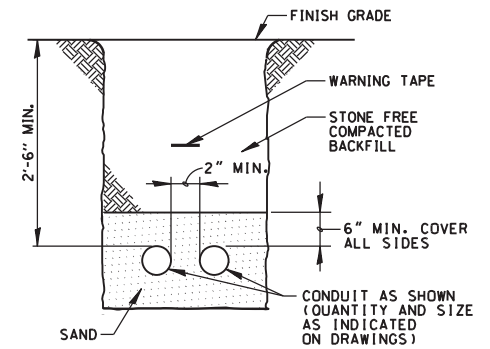


PUMP STATION SITE PLAN
SCALE: 1"=10'

ITEM	DESCRIPTION (SEE SPECIFICATIONS FOR ADDITIONAL DETAILS)
PUMP STATION WET WELL	10 FT. DIA. WET WELL APPROXIMATELY 44.5 FEET DEEP WITH FLAT SLAB TOP AND ALUMINUM ACCESS HATCHES
PUMPS (MAIN FLOODWATER PUMPS DESIGNATED SP-1 & SP-2) AND FLOAT SWITCHES	TWO (2) SUBMERSIBLE NON-CLOG, EXPLOSION PROOF PUMPS WITH BASE PLATE, GUIDE RAILS, PUMP SUPPORT BRACKETS, PUMP AND RAIL SUPPORT AND DISCHARGE ELBOW INCLUDING MECHANICAL FLOAT SWITCHES IN THE WET WELL FOR ACTIVATION OF SP-1 & 2
NUISANCE PUMP (NP) AND RELATED FLOAT SWITCHES	NUISANCE PUMP TO BE OF SAME DESIGN AS SP-1 & SP-2 WITH FLOAT CONTROLS FOR "ON", "OFF", "POWER INTERRUPT" AND "POWER RESTORE"
FORCEMAIN DISCHARGE PIPING AND TIDE FLEX CHECK VALVE	INDIVIDUAL D.I. DISCHARGE PIPING TO BE PROVIDED FOR EACH PUMP; EACH PROVIDED WITH TIDE FLEX TYPE CHECK VALVE AT THE END OF EACH PIPE.
ENERGY DISSIPATING MANHOLE (EDMH)	72" ENERGY DISSIPATING MANHOLE WITH FLAT SLAB TOP AND CAST IRON FRAME AND GRATE COVER
CONDUIT & WIRING	ELECTRICAL CONDUIT AND WIRING AS REQUIRED ALL IN ACCORDANCE WITH NEC
GROUNDING	GROUNDING RODS AND CABLES AS SHOWN
TRAFFIC BOX ENCLOSURE	ALUMINUM NEMA 3R ENCLOSURE HOUSING ELECTRICAL DEVICES INCLUDING PUMP CONTROLS, PANEL(S), TRANSFORMER(S), MTS, AUTODIALER, AND OTHER ELECTRICAL COMPONENTS REQUIRED FOR THE PUMP STATION
480V, 3Ø ELECTRIC METER	AS REQUIRED BY LOCAL UTILITY
ELECTRIC SERVICE CONDUIT & WIRE	RGS CONDUIT & XLP TYPE-USE CABLES AS SHOWN

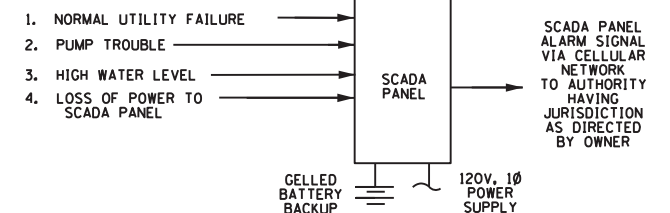
NOTES:

- PAYMENT FOR THE PUMP STATION AND ACCESSORIES SHALL BE ON A LUMP SUM BASIS AND SHALL CONSIST OF BUT NOT BE LIMITED TO THE MAJOR MATERIALS, EQUIPMENT, DEVICES, AND COMPONENTS LISTED ABOVE.
- PAYMENT FOR ROADWAY LIGHTING EQUIPMENT AND ACCESSORIES (IE, 120V/240V TRANSFORMER, SERVICE AND BRANCH CONDUITS & WIRING AND CONTROLLER AS WELL AS LIGHTING EQUIPMENT AND FIXTURES) WILL BE MADE PER CODED PAY ITEMS



DIRECT BURIED CONDUIT DETAIL
N.T.S.

ALARM SCHEDULE



NOTES:

- CONTRACTOR TO COORDINATE CONNECTING PROPOSED SCADA PANEL TO THE EXISTING VILLAGE OF ROSEMONT SCADA SYSTEM

AUTO DIALER ONE LINE DIAGRAM
N.T.S.

<p>CHRISTOPHER B. BURKE ENGINEERING, LTD. 9575 W. Higgins Road, Suite 600 Rosemont, Illinois 60018 (847) 923-0900</p>	USER NAME = pmagnelli	DESIGNED JPC	REVISED -
	PLOT SCALE = 28"	DRAWN KWB	REVISED -
	PLOT DATE = 10/17/2012	CHECKED JPC	REVISED -
		DATE = 10/17/2012	REVISED -

STATE OF ILLINOIS
DEPARTMENT OF TRANSPORTATION

**PROPOSED PUMP STATION
DETAILS (2 OF 4)**

SCALE:	SHEET NO.	OF	SHEETS	STA.	TO	STA.
--------	-----------	----	--------	------	----	------

F.A. RTE.	SECTION	COUNTY	TOTAL SHEETS	SHEET NO.
330	0105 WRS&HB	COOK	605	198
CONTRACT NO. 60G37				ILLINOIS FED. AID PROJECT