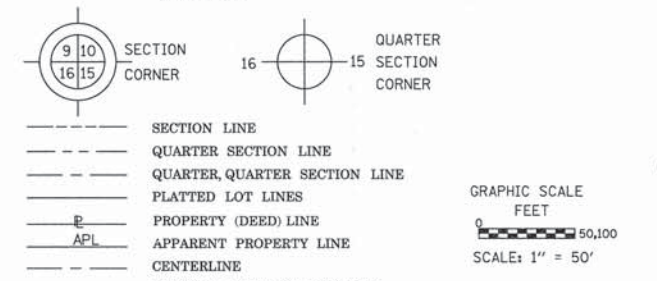


PART OF THE SOUTHWEST QUARTER OF SECTION 33 TWP. 41 N., R. 12 E. OF THE 3RD. P.M., IN COOK COUNTY, ILLINOIS.

PARCEL NUMBER	OWNER	TOTAL HOLDINGS ACRES	PART TAKEN ACRES	SO. FT.	AREA IN EXISTING R.O.W. ACRES	REMAINDER AREA ACRES	EASEMENT ACRES	EASEMENT AREA SQUARE FEET	EASEMENT PURPOSE	PERMANENT INDEX NUMBER	PROPERTY ACQUIRED BY
OHT0004TE-A OHT0004TE-B OHT0004TE-C	CITY OF DES PLAINES, A MUNICIPAL CORPORATION	4.287	0.000	0	0	4.287	0.009	400	TEMPORARY	09-33-305-013 09-33-305-014 09-33-305-010	
OHT0005TE	MCDONALD'S CORPORATION, A DELAWARE CORPORATION	1.880	0.000	0	0	1.880	0.022	N/A	TEMPORARY	09-33-305-011 09-33-305-012	

LEGEND



- CATCH BASIN
 - ⊕ INLET
 - ⊕ STORM MANHOLE
 - ⊕ SANITARY MANHOLE
 - ⊕ FIRE HYDRANT
 - ⊕ TELEPHONE MANHOLE
 - ⊕ LIGHT POLE
 - ⊕ WATERMAIN VALVE VAULT
- Bearings are referenced to the Illinois State Plane Coordinate Grid System, NAD83, East Zone, as provided by the Illinois Department of Transportation.
- IRON PIPE OR ROD FOUND ○ REPLACED AFTER CONSTRUCTION
 - + CUT CROSS FOUND OR SET
 - T1 T2 T3 THESE STAKES REFERENCE FOUND OR SET MONUMENTATION. SET 5/8 INCH IRON ROD FLUSH WITH GROUND TO TIE FOUND IRON STAKE IDENTIFIED BY COLORED PLASTIC CAP BEARING SURVEYORS REGISTRATION NUMBER.
 - BT1 BT2 BT3 THESE STAKES, IN CULTIVATED AREAS, REFERENCE FOUND OR SET MONUMENTATION. BURIED 5/8 INCH IRON ROD 20 INCHES BELOW GROUND TO TIE FOUND IRON STAKE. IDENTIFIED BY COLORED PLASTIC CAP BEARING SURVEYORS REGISTRATION NUMBER.
 - STAKING OF PROPOSED RIGHT OF WAY. SET DIVISION OF HIGHWAYS SURVEY MARKER TO MONUMENT THE POSITION SHOWN. IDENTIFIED BY INSCRIPTION DATA AND SURVEYORS REGISTRATION NUMBER.
 - M STAKING OF PROPOSED RIGHT OF WAY IN CULTIVATED AREAS. BURIED 5/8 INCH IRON ROD 20 INCHES BELOW GROUND TO MARK FUTURE SURVEY MARKER POSITION IDENTIFIED BY COLORED PLASTIC CAP BEARING SURVEYORS REGISTRATION NUMBER.
 - ⊙ PERMANENT SURVEY MARKER, I.D.O.T. STANDARD 2135 (TO BE SET BY OTHERS)
 - RIGHT OF WAY STAKING PROPOSED TO BE SET

STATE OF ILLINOIS)
COUNTY OF COOK)

THIS IS TO CERTIFY THAT WE, SPACECO, INC. AN ILLINOIS PROFESSIONAL DESIGN FIRM LAND SURVEYING CORPORATION, NUMBER 184-001157, HAVE SURVEYED THE PLAT OF HIGHWAYS SHOWN HEREON IN SECTIONS 32 & 33, TOWNSHIP 41 NORTH, RANGE 12 EAST OF THE THIRD PRINCIPAL MERIDIAN AND SECTIONS 4, 9, & 16, TOWNSHIP 40 NORTH, RANGE 12 EAST OF THE THIRD PRINCIPAL MERIDIAN ALL IN COOK COUNTY, THAT THE SURVEY IS TRUE AND COMPLETE AS SHOWN TO THE BEST OF MY KNOWLEDGE AND BELIEF, THAT THE PLAT CORRECTLY REPRESENTS SAID SURVEY, THAT ALL MONUMENTS FOUND AND ESTABLISHED ARE OF PERMANENT QUALITY AND OCCUPY THE POSITIONS SHOWN THEREON AND THAT THE MONUMENTS ARE SUFFICIENT TO ENABLE THE SURVEY TO BE RETRACED, MADE FOR THE DEPARTMENT OF TRANSPORTATION, STATE OF ILLINOIS.

DATED THIS _____ DAY OF _____ 20 ____ A.D., AT ROSEMONT, ILLINOIS

REBECCA Y. POPECK
ILLINOIS PROFESSIONAL LAND SURVEYOR NO. 035-003642
LICENSE EXPIRATION DATE: NOVEMBER 30, 2012

THIS PROFESSIONAL SERVICE CONFORMS TO THE CURRENT ILLINOIS MINIMUM STANDARDS FOR A BOUNDARY SURVEY.



CONSULTING ENGINEERS
SITE DEVELOPMENT ENGINEERS
LAND SURVEYORS

9575 W. Higgins Road, Suite 700,
Rosemont, Illinois 60018
Phone: (847) 696-4060 Fax: (847) 696-4065

PLAT OF HIGHWAYS
STATE OF ILLINOIS
DEPARTMENT OF TRANSPORTATION
MANNHEIM ROAD (US ROUTE 12/45)

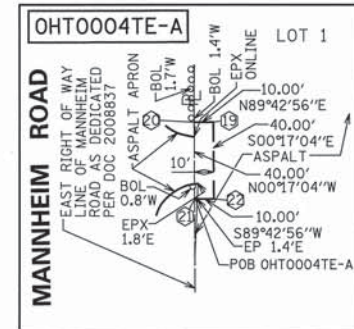
SECTION: AT HIGGINS & LAWRENCE COUNTY: COOK
PROJECT: MANNHEIM RD JOB NO.: R-90-026-11
STATION 187+70.50 TO STATION 193+90.23
SCALE: 1"=50' SHEET 4 OF 6

BUREAU OF LAND ACQUISITION
201 WEST CENTER COURT
SCHAUMBURG, ILLINOIS 60196

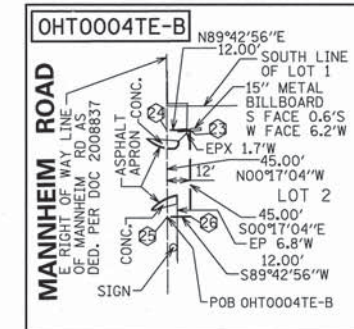
RECEIVED
AUG 19 2011

PLATS & LEGALS

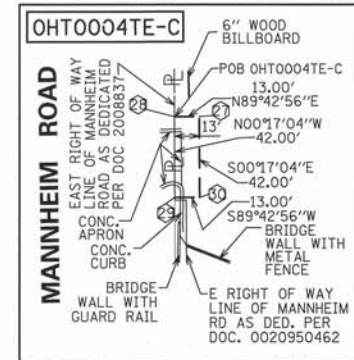
DETAIL "A"
SCALE: 1" = 50'



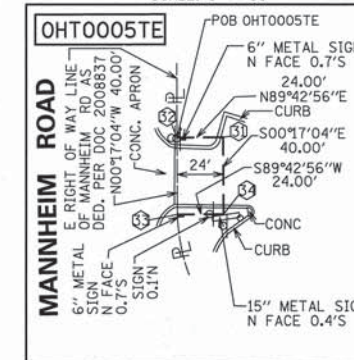
DETAIL "B"
SCALE: 1" = 50'



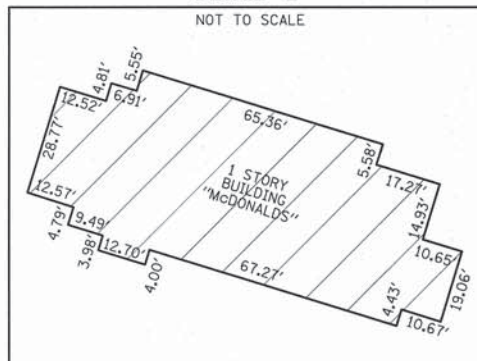
DETAIL "C"
SCALE: 1" = 50'



DETAIL "D"
SCALE: 1" = 50'



DETAIL "E"
NOT TO SCALE



COORDINATE & STATION TABLE

POINT	NORTHING	EASTING	STATION	OFFSET
19	1942998.38	1106304.78	193+90.23	60.00 RIGHT
20	1942998.33	1106294.78	193+90.23	50.00 RIGHT
21	1942998.33	1106294.98	193+50.23	50.00 RIGHT
22	1942998.38	1106304.98	193+50.23	60.00 RIGHT
23	1942859.01	1106307.47	192+50.84	62.00 RIGHT
24	1942858.95	1106295.47	192+50.84	50.00 RIGHT
25	1942813.95	1106295.69	192+05.84	50.00 RIGHT
26	1942814.01	1106307.69	192+05.84	62.00 RIGHT
27	1942610.80	1106309.70	190+02.62	63.00 RIGHT
28	1942610.73	1106296.70	190+02.62	50.00 RIGHT
29	1942568.73	1106296.91	189+60.62	50.00 RIGHT
30	1942568.80	1106309.91	189+60.62	63.00 RIGHT
31	1942418.73	1106321.65	188+10.50	74.00 RIGHT
32	1942418.61	1106297.65	188+10.50	50.00 RIGHT
33	1942378.61	1106297.85	187+70.50	50.00 RIGHT
34	1942378.73	1106321.85	187+70.50	74.00 RIGHT

REVISION DATE: 8/18/11

REVISION PER IDOT

MADE BY JMW

