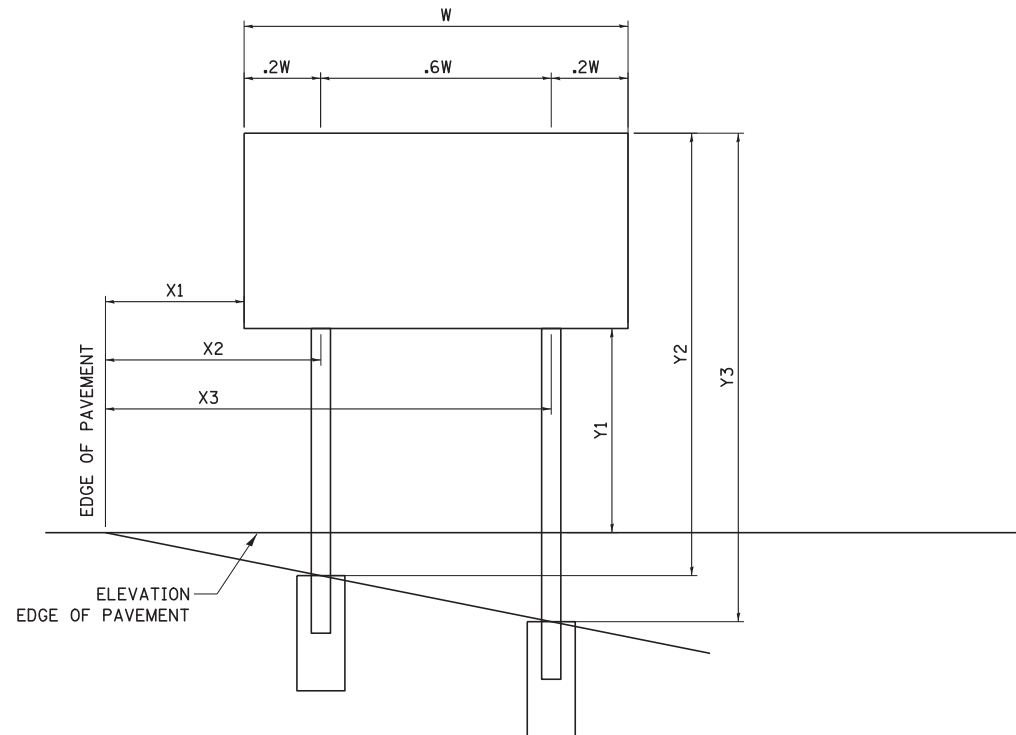


SIGN INSTALLATION SCHEDULE

PROPOSED LOCATION	SIGN NUMBER	SIZE		SIGN PANEL			SUPPORT											FOUNDATION		
		WIDTH FT.	HEIGHT FT.	TYPE-1 SF	TYPE-2 SF	TYPE-3 SF	X1	X2	X3	X4	Y1	Y2	Y3	Y4	NO.	POST	LENGTH FT.	WEIGHT LB	MIN. DEPTH FT	CONCRETE CY
32+25.00	SB-MAN-MP-197	10.2	3.7			37.3	16.0	18.0	24.2		7.0	11.5	12.5		2.0	W6X9	24.0	372.0	6.0	1.4
42+05.00	NB-MAN-MP-214	11.2	6.3			70.6	16.0	18.2	25.0		7.0	20.0	21.5		2.0	W10X22	41.5	1097.0	6.5	2.4
55+85.00	SB-MAN-MP-232	11.2	8.6			96.3	16.0	18.2	25.0		7.0	20.0	21.5		2.0	W10X22	41.5	1097.0	6.5	2.4
94+55.00	NB-MAN-MP-300	12.0	6.0			72.0	16.0	18.4	25.6		7.0	15.0	16.0		2.0	W10X22	31.0	866.0	6.5	2.4
	Totals			0.0	0.0	276.2												3432.0		8.5

NOTE: FOR ADDITIONAL DETAILS, SEE STANDARD BAW-A-1 AND STANDARD BAW-A-2.



SGN-DET-03



USER NAME = mkosir	DESIGNED	REVISED -
	DRAWN	REVISED -
PLOT SCALE = 1/8"=1'	CHECKED	REVISED -
PLOT DATE = 19-OCT-2012	DATE 10/19/12	REVISED -

**STATE OF ILLINOIS
DEPARTMENT OF TRANSPORTATION**

GROUND MOUNTED SIGNS

SCALE: 1" = 10' SHEET NO. OF SHEETS STA. TO STA.

F.A.P. RTE.	SECTION	COUNTY	TOTAL SHEETS	SHEET NO.
330	0105 WRS&HB	COOK	605	223
CONTRACT NO. 60G37			ILLINOIS FED. AID PROJECT	