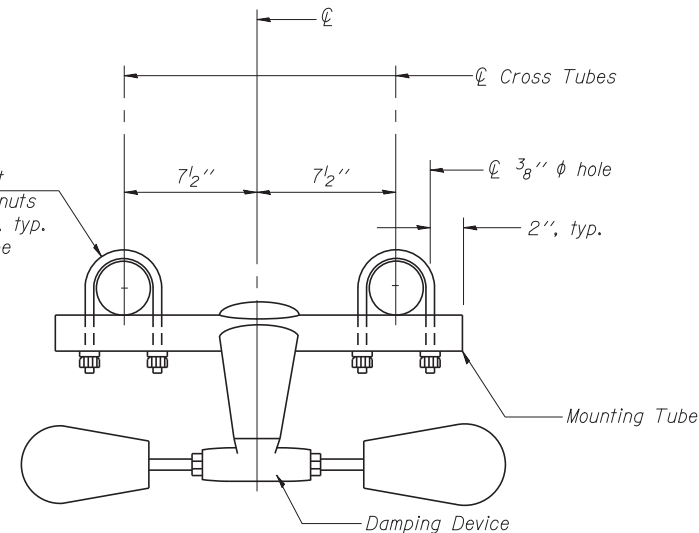
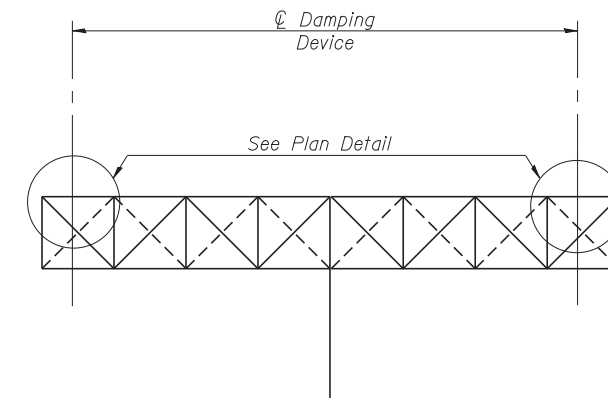


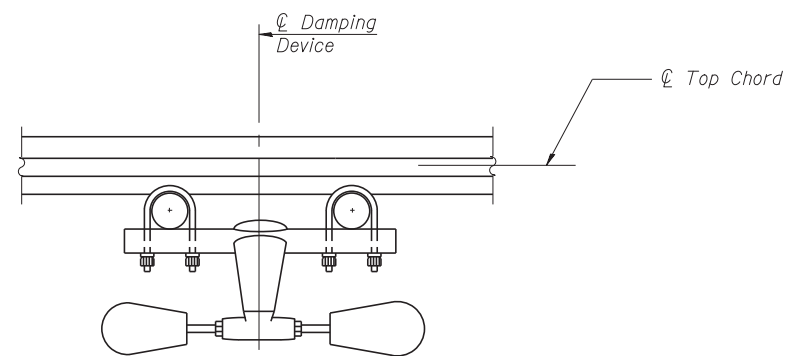
PLAN DETAIL



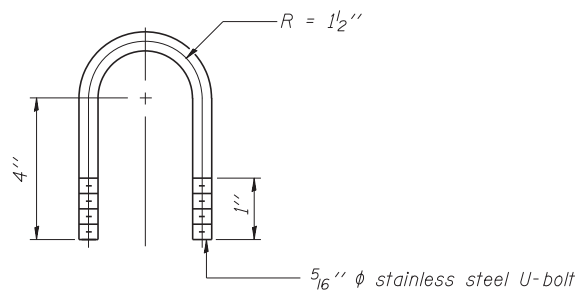
TRUSS DAMPING DEVICE CONNECTION DETAIL



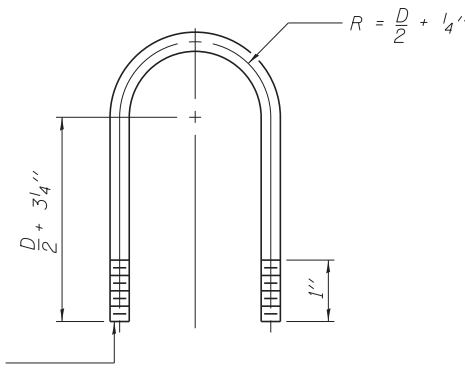
ELEVATION
Aluminum Butterfly Sign Structure



SECTION A-A



DAMPING DEVICE MOUNTING TUBE U-BOLT DETAIL
(Typical)



TOP CHORD TO CROSS TUBE U-BOLT DETAIL
(Typical)

GENERAL NOTES

Damper: One damper per truss. (31 lbs. Stockbridge-Type Aluminum-29" minimum between ends of weights)

Materials: Aluminum tubes shall be ASTM B221 alloy 6061 temper T6

OSF-A-D

9-15-11



USER NAME = lkalito	DESIGNED PCA	REVISED
PLOT SCALE = 0.883333:1	CHECKED MRI	REVISED
PLOT DATE = 09-OCT-2012	DRAWN LK	REVISED
	DATE 10/19/12	REVISED

STATE OF ILLINOIS
DEPARTMENT OF TRANSPORTATION

BUTTERFLY SIGN STRUCTURE
DAMPING DEVICE

SHEET NO. S-4 OF 10 SHEETS

F.A. RTE.	SECTION	COUNTY	TOTAL SHEETS	SHEET NO.
330	0105 WRS&HB	COOK	605	227
				CONTRACT NO. 60G37

ILLINOIS FED. AID PROJECT