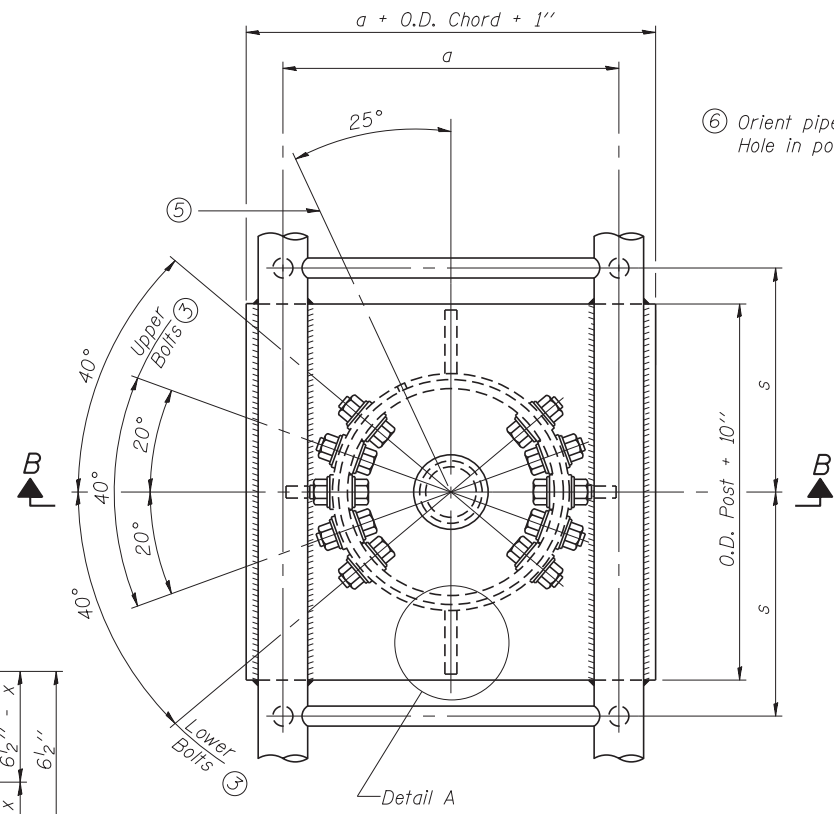
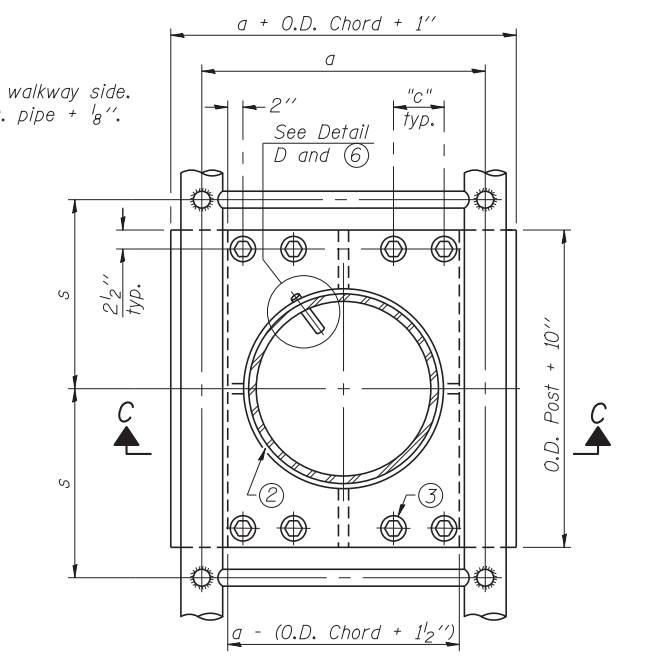


④ Collar I.D. shall be manufactured to correspond to O.D. of actual galvanized post and stainless steel sleeve plus 1/8" (±1/16"). Maximum gap between post and collar at any location equals 1/8" before tightening bolts.

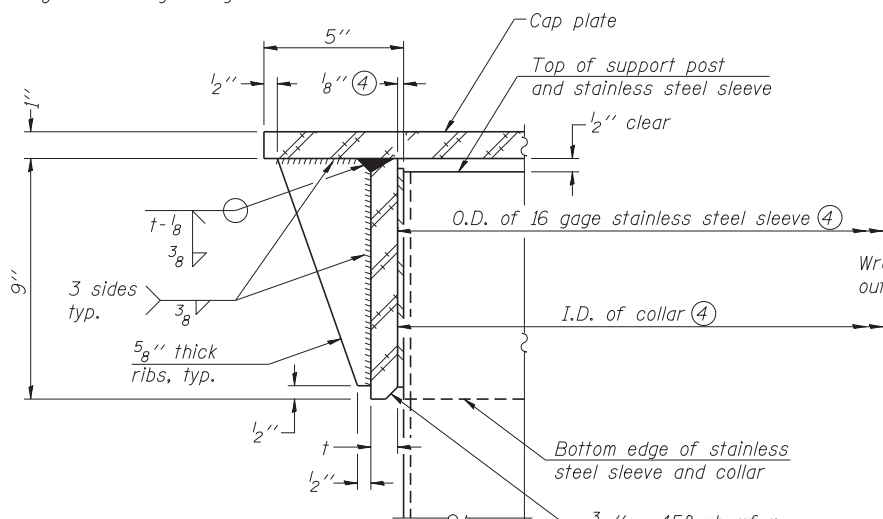
SECTION B-B
Bolts, washers (including contoured washers), and locknuts shall be stainless steel.



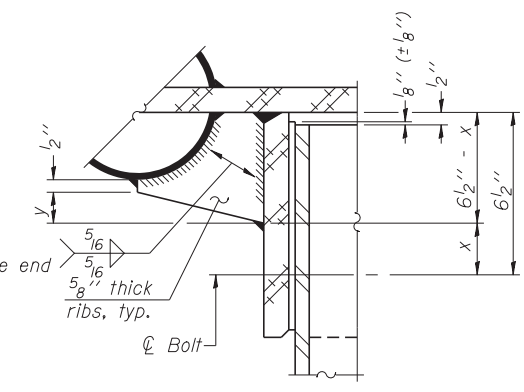
PLAN VIEW - TOP OF COLUMN
⑤ Optional full penetration weld in collar. (Two locations maximum....(180° apart)....X-ray or UT 100%)



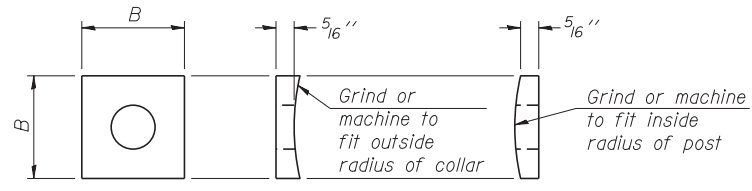
SECTION THRU POST ABOVE LOWER CHORDS



DETAIL A
(Two locations)

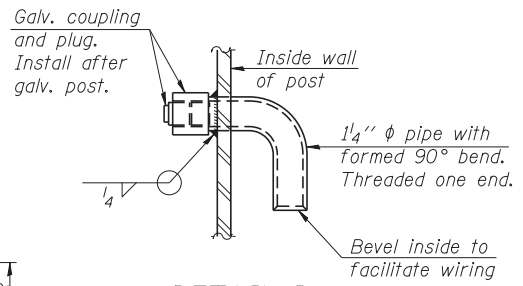


DETAIL B
Two locations
(For details not shown, see Detail C)



CONTOURED WASHERS

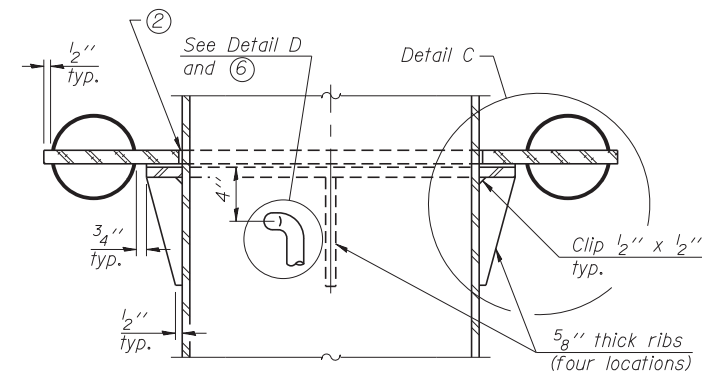
Bolt Size	Contoured Washers	
	Hole Dia.	B
7/8"	1"	2 1/2"
1"	1 1/8"	3"
1 1/4"	1 3/8"	3 1/4"



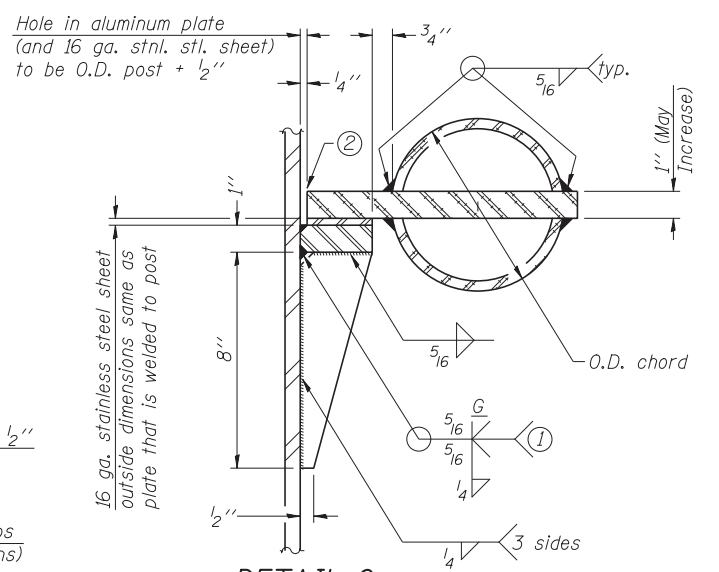
DETAIL D

DETAIL OF STAINLESS STEEL SLEEVE

Weld to post after galvanizing. (Prepare post surface to insure tight, uniform fit and allow welding.) Welds to be 1/2" long at 6" cts. along top edge and at 1/4" opening.



SECTION C-C



DETAIL C

- ① Grind top if required to fully seat aluminum plate and stainless steel sheet.
- ② After tightening lower connection bolts, fill gap with non-hardening, silicone caulk suitable for exterior exposure and acceptable to the Engineer. Cost is included in Overhead Sign Structure Butterfly.

③ Upper and lower connection bolts in collar and bolts at lower chord connection must be high strength with matching locknuts. Connection bolts shall have two stainless steel flat washers each.

Truss Type	Post Size	Upper & Lower Connection Bolt Diameter ③	Lower Juncture Bolt Spacing Dimension "c" ③	Opening in Cap Plate "HH"	Collar Thickness (t)	Side Ribs	
						x	y
I-F-A	16" phi (83#/')	7/8"	3 1/4"	8"	5/8"	1 3/4"	2 1/4"
II-F-A	24" phi (125#/')	1"	3 1/2"	12"	7/8"	2"	1 1/4"
III-F-A	24" phi (125#/')	1 1/4"	3 1/2"	12"	7/8"	2"	1"

OSF-A-3

9-15-11



USER NAME = kkalite	DESIGNED PCA	REVISED
CHECKED MRI	REVISIONS	
PLOT SCALE = 0.883333:1	DRAWN LK	REVISED
PLOT DATE = 09-OCT-2012	DATE 10/19/12	REVISED

STATE OF ILLINOIS
DEPARTMENT OF TRANSPORTATION

BUTTERFLY SIGN STRUCTURES - JUNCTURE DETAILS
ALUMINUM TRUSS & STEEL POST

SHEET NO. S-5 OF 10 SHEETS

F.A. RTE.	SECTION	COUNTY	TOTAL SHEETS	SHEET NO.
330	0105 WRS&HB	COOK	605	228
CONTRACT NO. 60G37				
ILLINOIS FED. AID PROJECT				