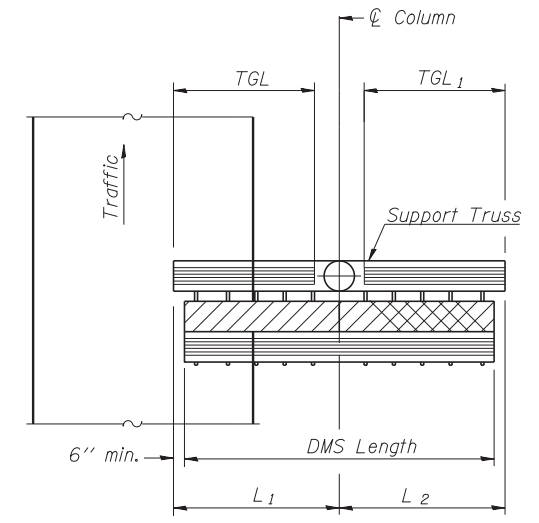


**TYPICAL FRONT ELEVATION**  
With handrail omitted for clarity.



**PLAN WALKWAY AND HANDRAIL SKETCH**  
(Road plan beneath truss varies)

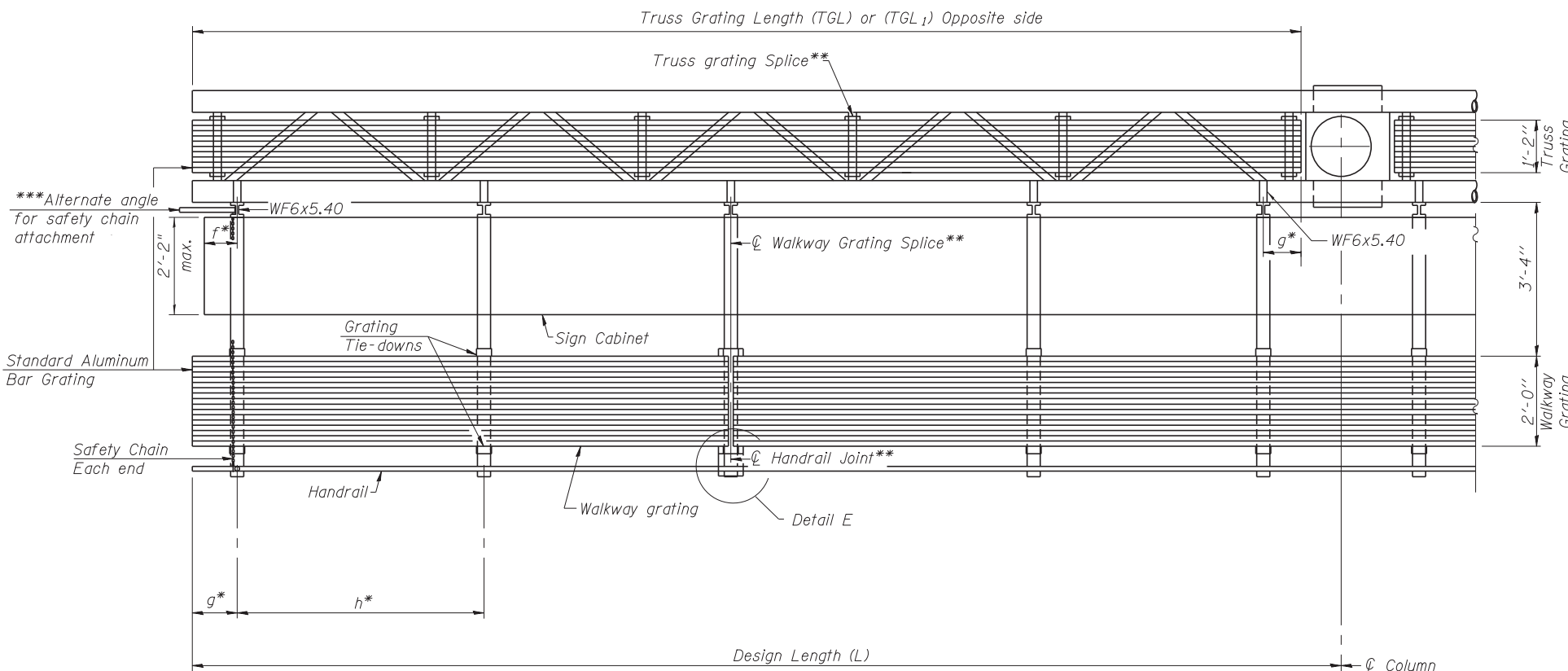
Walkway and truss grating dimensions are nominal and may vary (width ±1/2", depth ±1/2") based on available standard widths.

**Notes:**

- \* Space walkway brackets and sign brackets WF6x5.40 for efficiency and within limits shown:
- f = 12" maximum, 4" minimum (End of sign to center of nearest bracket)
- g = 12" maximum, 4" minimum (End of walkway grating to center of nearest support bracket)
- h = 6'-0" maximum (center to center sign and/or walkway support brackets, WF6x5.40)

Maximum DMS weight = 3000 lbs.  
2'-2" maximum cabinet depth includes depth of cabinet plus connection to WF6x5.40  
For Section B-B and Grating Splice Details, see Sheet S-8 of 10.  
For Handrail Splice Details, see Sheet S-9 of 10.  
Walkway and truss grating width dimensions are nominal and may vary ±1/2" based on available standard width.

- \*\*\*If walkway bracket at safety chain location is behind sign, add angle to bracket. See alternate safety chain attachment on base Sheet S-9 of 10.
- For details of sign placement, sign/walkway brackets, truss and walkway gratings, grating splices and Section B-B, see Sheet S-8 of 10.
- For details of handrail, handrail joint, safety chain and Detail E, see Sheet S-9 of 10.



**SECTION A-A**

Handrail and walkway grating shall span a minimum of three brackets between splices.  
\*\*Use and location of handrail joint or grating splices are optional, based on lengths needed and material availability.

$$TGL = L - \left( \frac{\text{Post O.D.}}{2} + 6'' \right)$$

Truss grating to facilitate inspection shall run full length of cantilevers. Cost of truss grating is included in "Overhead Sign Structure Butterfly".

**BRACKET TABLE**

WF(A-N)4x3.06 ASTM B308, Alloy 6061-T6		
Sign Width		Number Brackets Required
Greater Than	Less Than or Equal To	
	8'-0"	2
8'-0"	14'-0"	3
14'-0"	20'-0"	4
20'-0"	26'-0"	5
26'-0"	32'-0"	6

Structure Number	Station	DMS Length	TGL	TGL <sub>1</sub>
1F016U045R004.9	58+85	30'-8"	14'-6"	14'-6"



USER NAME = lkalite	DESIGNED PCA	REVISED
CHECKED MRI	REVISIONS	
PLOT SCALE = 0.88333331	DRAWN LK	REVISED
PLOT DATE = 09-OCT-2012	DATE 10/19/12	REVISED

**STATE OF ILLINOIS  
DEPARTMENT OF TRANSPORTATION**

**BUTTERFLY SIGN STRUCTURES - ALUMINUM WALKWAY  
DETAILS - ALUMINUM TRUSS & STEEL POST**

SHEET NO. 5-7 OF 10 SHEETS

F.A. RTE.	SECTION	COUNTY	TOTAL SHEETS	SHEET NO.
330	0105 WRS&HB	COOK	605	230
CONTRACT NO. 60G37				
ILLINOIS FED. AID PROJECT				