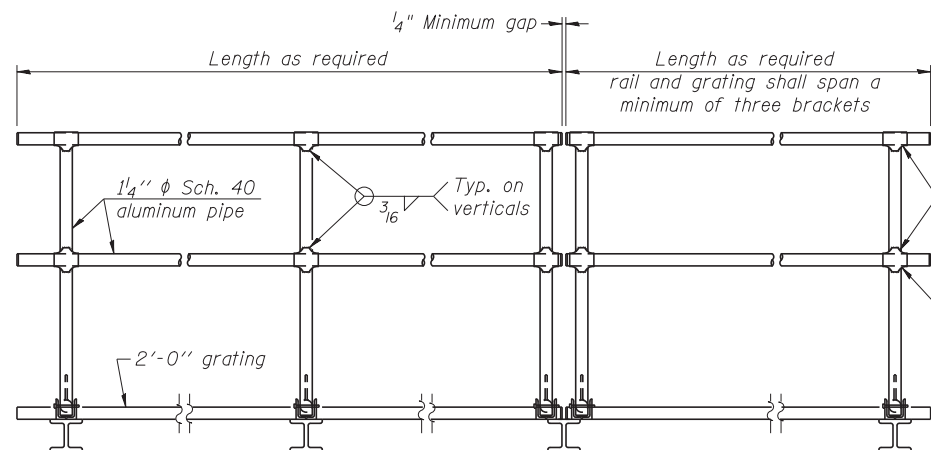


SIDE ELEVATION

(Showing Safety Chain W/O Sign)



FRONT ELEVATION

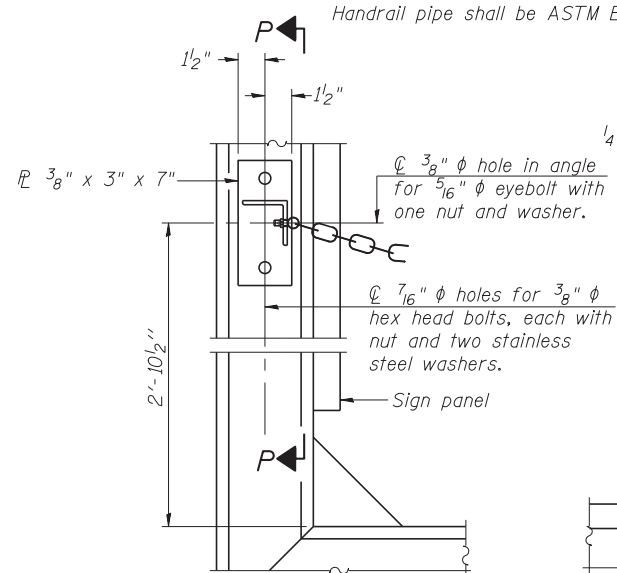
* Bracket dimension is nominal and will vary based on actual DMS cabinet dimensions plus manufacturers mounting device.

HANDRAIL DETAILS

Handrail pipe shall be ASTM B241 or B429, Alloy 6063-T6 or Alloy 6061-T6.

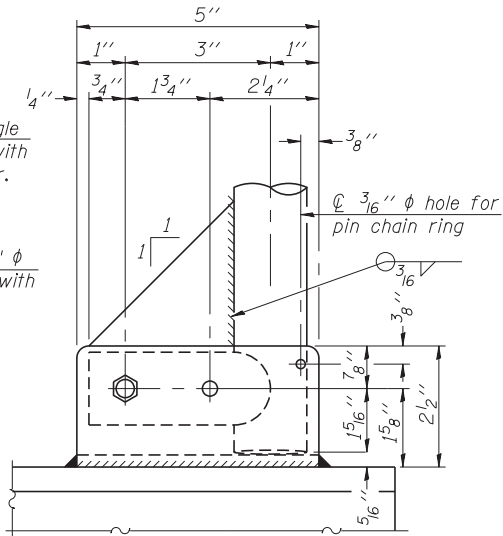
① Install standard force-fit end caps or weld 1/8\"/>

② Horizontal handrail member shall be continuous thru fitting. Provide 7/16\"/>

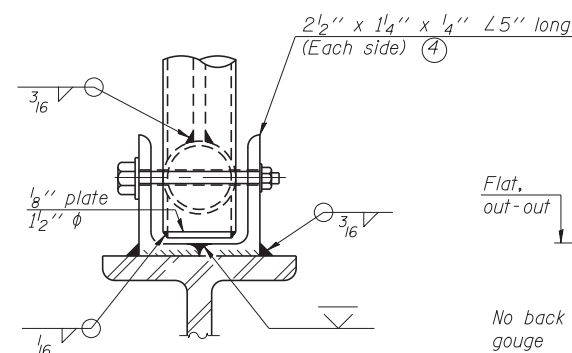


ALTERNATE SAFETY CHAIN ATTACHMENT

(With Sign Present)
Items not shown same as "Side Elevation" of "Handrail Details"

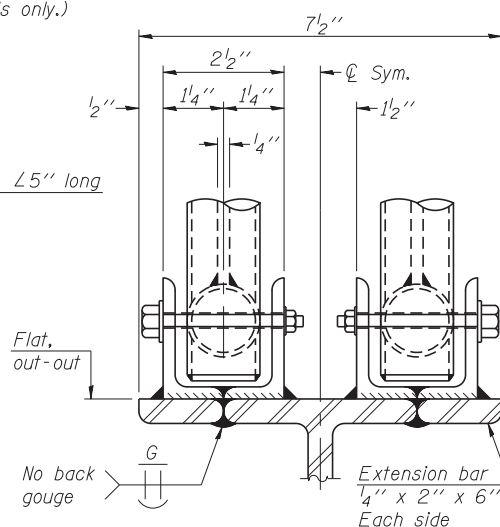


SIDE ELEVATION



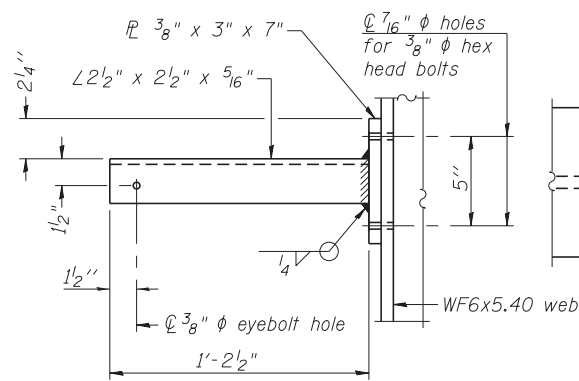
FRONT ELEVATION

Details not shown same as "ELEVATION" at right.

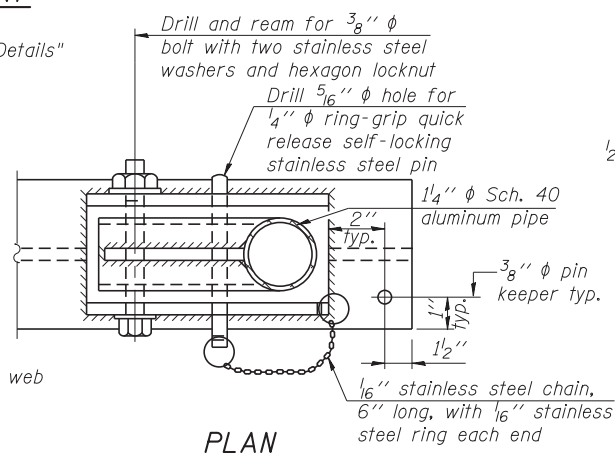


ELEVATION AT HANDRAIL JOINT ④

Details not shown same as "FRONT ELEVATION"

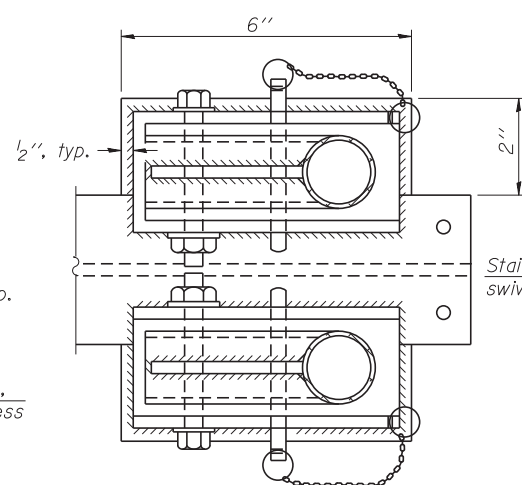


SECTION P-P



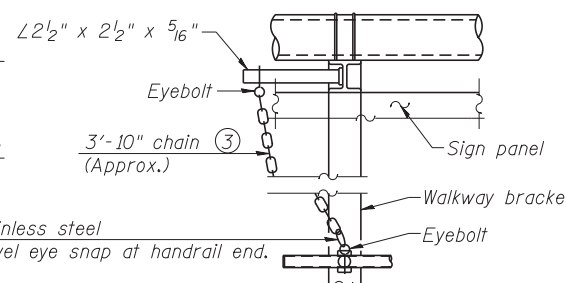
**PLAN
DETAIL E HANDRAIL HINGE**

For location of Detail E, see Sheet S-7 of 10.



PLAN AT HANDRAIL JOINT

Details not shown same as "PLAN"

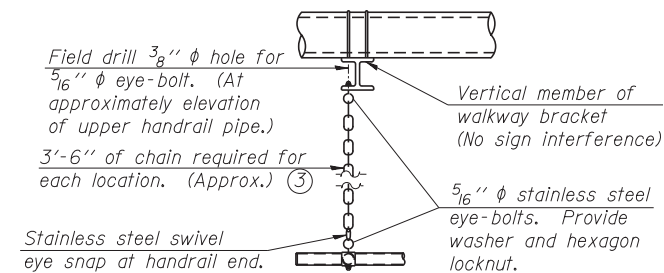


ALTERNATE SAFETY CHAIN ATTACHMENT

Details not shown similar to "Safety Chain" Details (Walkway omitted for clarity)

③ 3/16\"/>

④ Extrusions may be used in lieu of the details shown, with approval of the Engineer.



SAFETY CHAIN

One required for each end of each walkway.