

TYPICAL TRUSS UNIT

Note: For Section B-B and Section C-C, see Base Sheet OSC-A-3.

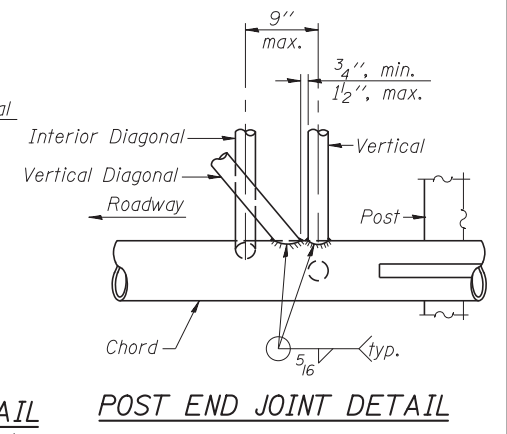
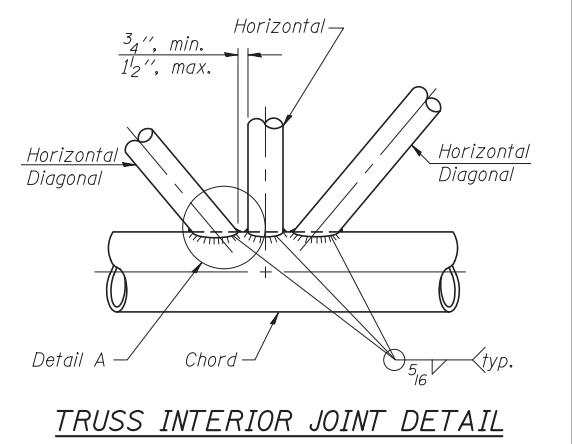
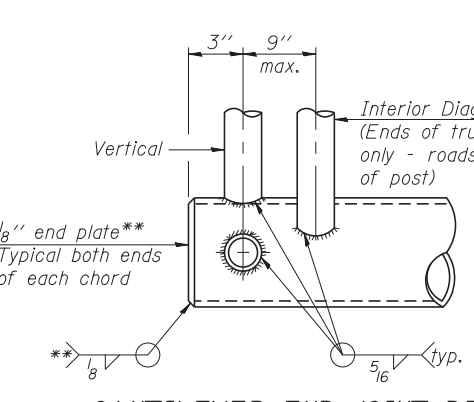
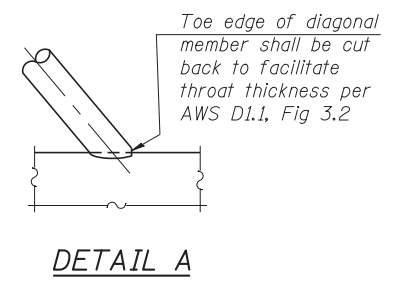
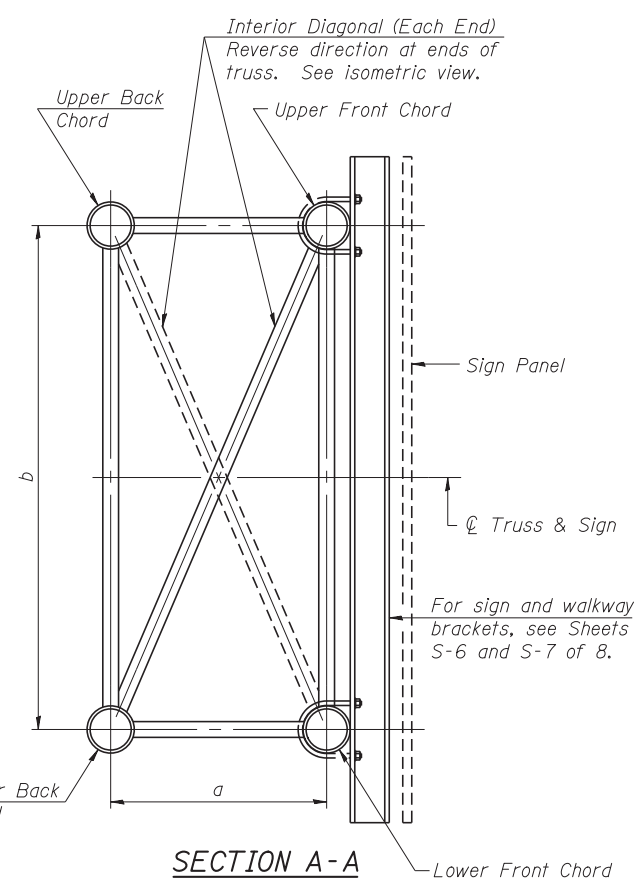
There are twice as many horizontal diagonals as there are vertical diagonals.

TRUSS UNIT TABLE

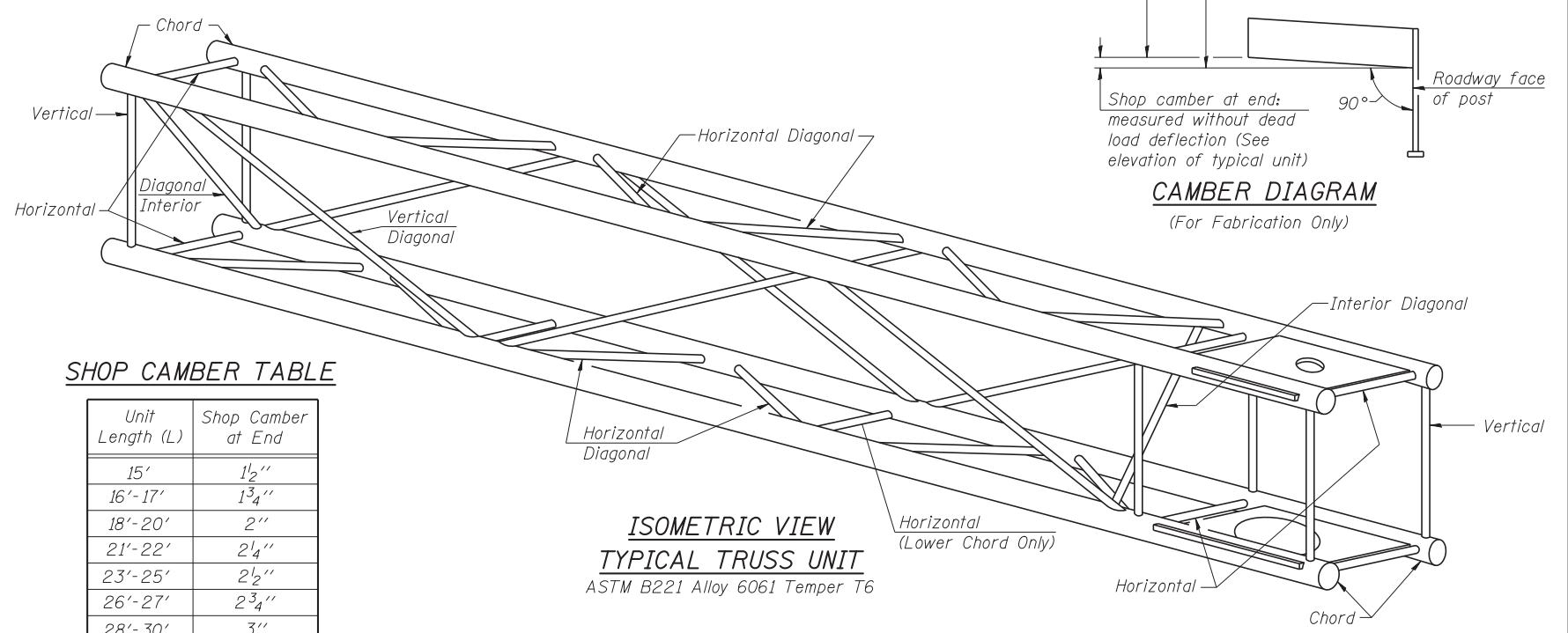
Truss Type	Dimension "a"	Dimension "b"	Dimension "s"	Limits for Panel Spacing (P)*	Up. & Low. Chord		Verticals; Horizontals; Vertical, Horizontal, and Interior Diagonals	
					O.D.	Wall	O.D.	Wall
I-C-A	24"	54"	16"	36" min. to 48" max.	5"	5/16"	2 1/2"	5/16"
II-C-A	36"	66"	21"	42" min. to 54" max.	6 1/2"	5/16"	3 1/4"	5/16"
III-C-A (35' Max.)	36"	84"	21"	48" min. to 66" max.	7"	3/8"	3 1/2"	3/8"
III-C-A (>35' to 40')	36"	84"	21"	48" min. to 66" max.	8"	3/8"	3 1/2"	3/8"

$$*P = \frac{L - s - 3''}{\# \text{ Panels}}$$

Structure Number	Station	Truss Type	Design Length (L)	Number of Panels Per Unit	Panel Length (P)*
1C016U045R004.6	46+50	III-C-A	32'-0"	6	5'-0"
1C016U045L005.4	86+50	III-C-A	35'-0"	6	5'-6"

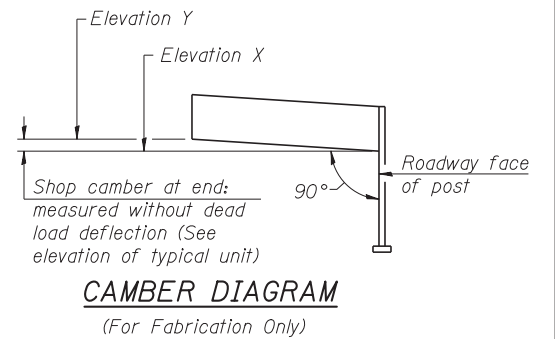


** Contractor may alternatively use standard aluminum drive-fit cap to close ends.



SHOP CAMBER TABLE

Unit Length (L)	Shop Camber at End
15'	1 1/2"
16'-17'	1 3/4"
18'-20'	2"
21'-22'	2 1/4"
23'-25'	2 1/2"
26'-27'	2 3/4"
28'-30'	3"
31'-32'	3 1/4"
33'-35'	3 1/2"
36'-37'	4"
38'-40'	4 1/2"



OSC-A-2

9-15-11



USER NAME	DESIGNED	REVISION
ikolito	PCA	
	MRI	REVISED
	LK	REVISED
		REVISED

STATE OF ILLINOIS
DEPARTMENT OF TRANSPORTATION

CANTILEVER SIGN STRUCTURES - TRUSS DETAILS
ALUMINUM TRUSS & STEEL POST

F.A. RTE.	SECTION	COUNTY	TOTAL SHEETS	SHEET NO.
330	0105 WRS&HB	COOK	605	235

CONTRACT NO. 60G37

ILLINOIS FED. AID PROJECT

SHEET NO. S-2 OF 8 SHEETS