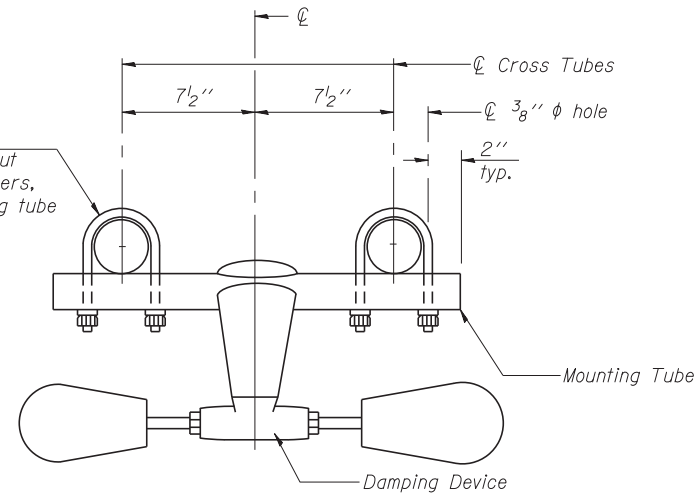
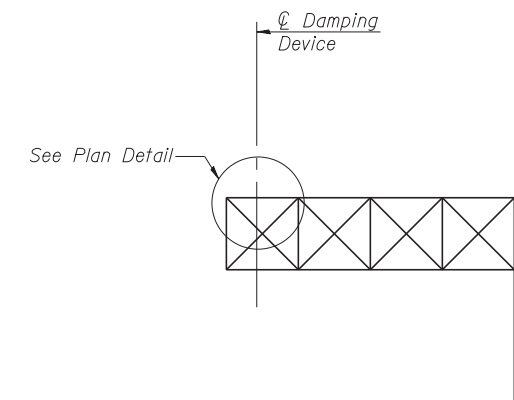


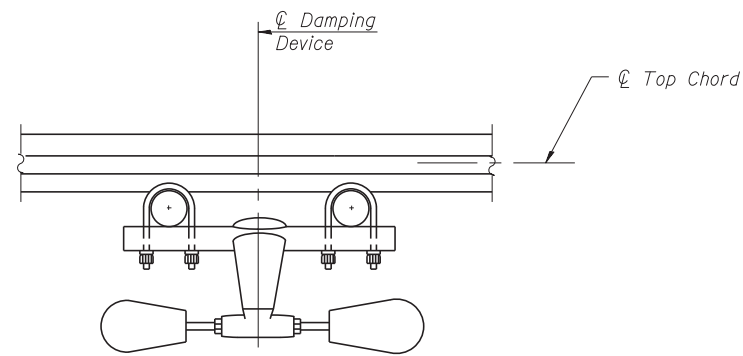
PLAN DETAIL



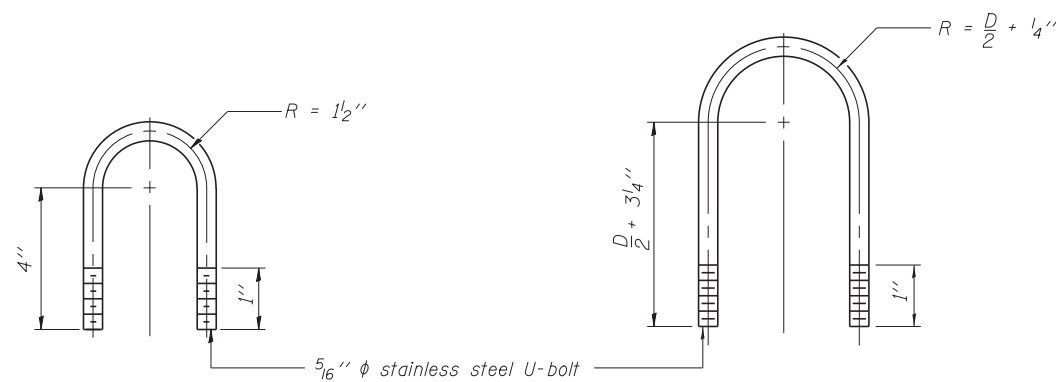
TRUSS DAMPING DEVICE CONNECTION DETAIL



ELEVATION
Aluminum Cantilever Sign Structure



SECTION A-A



DAMPING DEVICE MOUNTING TUBE U-BOLT DETAIL
(Typical)

TOP CHORD TO CROSS TUBE U-BOLT DETAIL
(Typical)

- GENERAL NOTES**
- Damper: One damper per truss. (31 lbs. Stockbridge-Type Aluminum-29" minimum between ends of weights)
 - Materials: Aluminum tubes shall be ASTM B221 alloy 6061 temper T6

OSC-A-D

9-15-11



USER NAME = lkalite	DESIGNED PCA	REVISED
PLOT SCALE = 0.883333:1	CHECKED MRI	REVISED
PLOT DATE = 09-OCT-2012	DRAWN LK	REVISED
	DATE 10/19/12	REVISED

STATE OF ILLINOIS
DEPARTMENT OF TRANSPORTATION

CANTILEVER SIGN STRUCTURE
DAMPING DEVICE

F.A. RTE.	SECTION	COUNTY	TOTAL SHEETS	SHEET NO.
330	0105 WRS&HB	COOK	605	236
				CONTRACT NO. 60G37

SHEET NO. S-3 OF 8 SHEETS

ILLINOIS FED. AID PROJECT