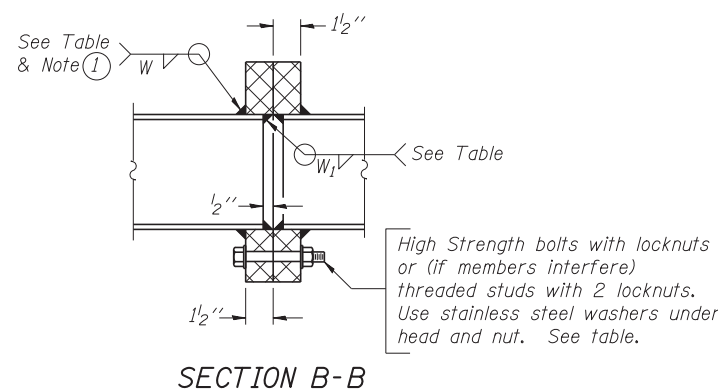
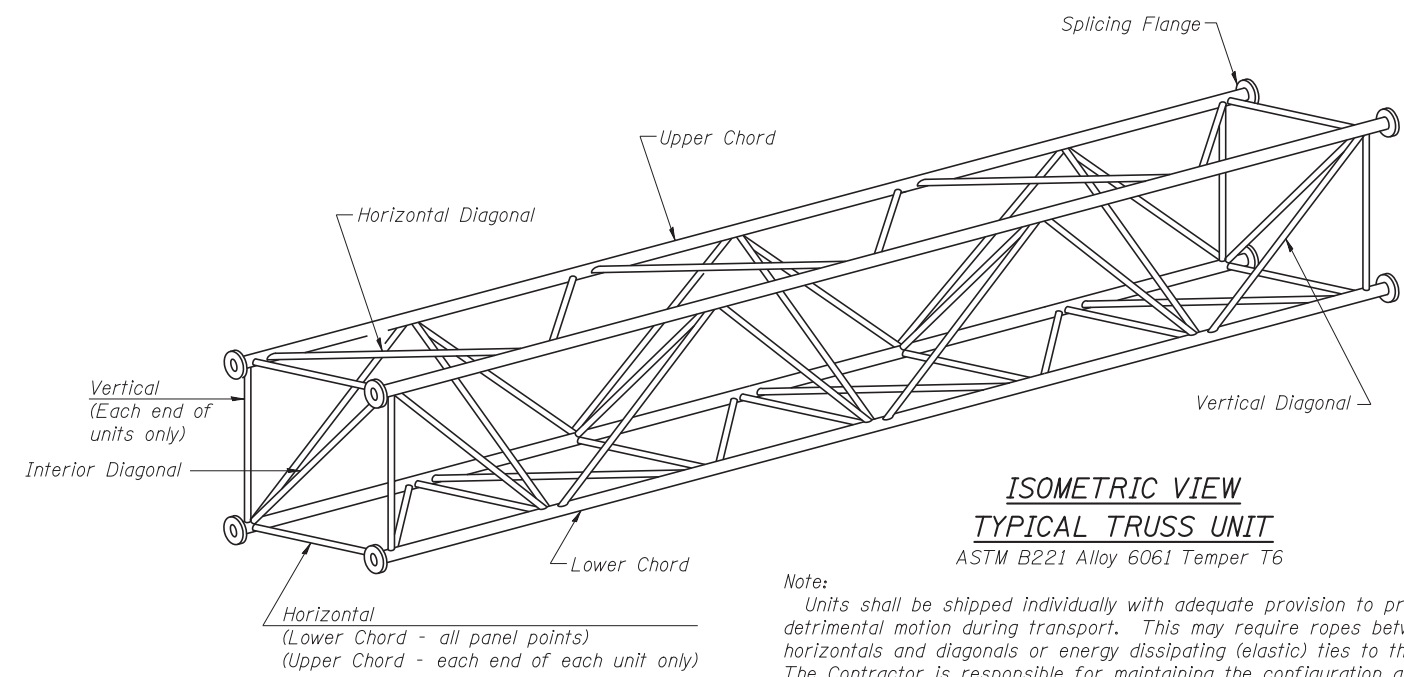


TRUSS UNIT TABLE

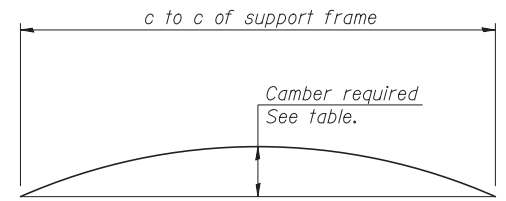
Structure Number	Station	Design Truss Type	Exterior Units (2)			Interior Unit				Upper & Lower Chord		Verticals; Horizontals; Vertical, Horizontal, and Interior Diagonals		Camber at Midspan	Splicing Flange					
			No. Panels per Unit	Unit Lgth.(L _e)	Panel Lgth.(P)	No. Req'd.	No. Panels per Unit	Unit Lgth.(L _i)	Panel Lgth.(P)	O.D.	Wall	O.D.	Wall		Bolts		Weld Sizes		A	B
															No./Splice	Dia.	W	W ₁		
ISO16U045R005.1	71+00	II-A	7	38'-4"	5'-2 1/2"	0	---	---	---	5 1/2"	5/16"	3"	5/16"	1 3/4"	6	7/8"	3/8"	1/4"	9 1/4"	1'-0 1/4"
ISO16U045R005.6	96+75	II-A	6	33'-9"	5'-3 3/4"	1	6	33'-1 1/2"	5'-3 3/4"	6 1/2"	5/16"	3"	5/16"	3"	6	1"	3/8"	1/4"	11"	1'-2 1/2"
ISO16U045R005.7	102+75	II-A	8	39'-0 1/2"	4'-7 3/4"	1	8	38'-5"	4'-7 3/4"	7"	3/8"	3"	5/16"	4"	8	1"	7/16"	5/16"	11 1/2"	1'-3"



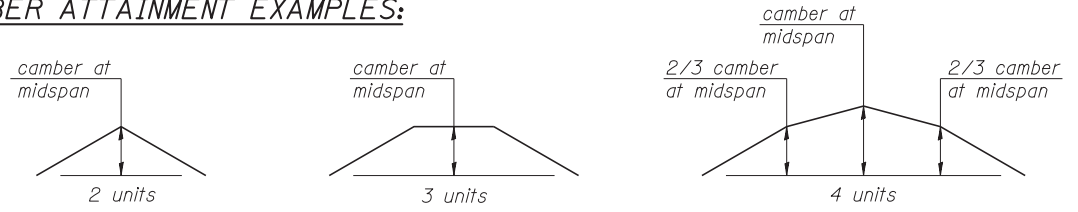
① Splicing Flanges shall be attached to each truss unit with the truss shop assembled to camber shown. Truss units shall be in proper alignment and flange surfaces shall be shop bolted into full contact before welding. Sufficient external welds or tacks shall be made to secure flanges until remaining welds are made after disassembly. Adjacent flanges shall be "match marked" to insure proper field assembly.



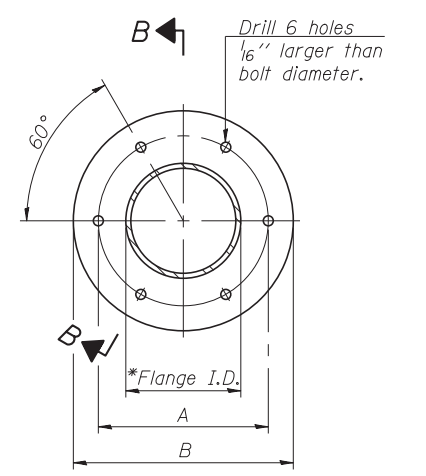
Note:
Units shall be shipped individually with adequate provision to prevent detrimental motion during transport. This may require ropes between horizontals and diagonals or energy dissipating (elastic) ties to the vehicle. The Contractor is responsible for maintaining the configuration and protection of the units.



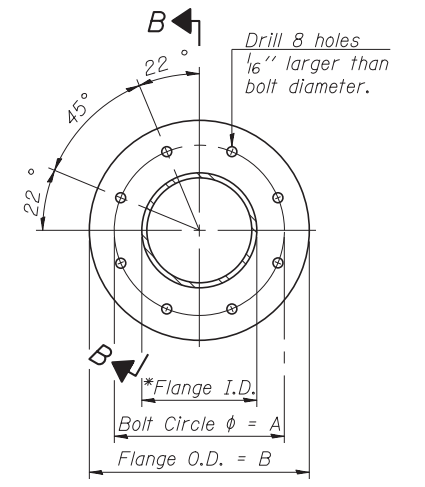
CAMBER ATTAINMENT EXAMPLES:



Camber shown is for fabrication only, measured with truss fully supported. (No-load condition)



TRUSS TYPES I-A, II-A, & III-A



TRUSS TYPES II-A & III-A

SPLICING FLANGES

ASTM B221, Alloy 6061-T6 or ASTM B209, Alloy 6061-T651
*To fit O.D. of Chord with maximum gap of 1/16".

OS4-A-2

1-20-11



USER NAME = lkalite	DESIGNED PCA	REVISED
CHECKED MRI	REVISED	
PLOT SCALE = 0.08333331	DRAWN LK	REVISED
PLOT DATE = 09-OCT-2012	DATE 10/19/12	REVISED

**STATE OF ILLINOIS
DEPARTMENT OF TRANSPORTATION**

**OVERHEAD SIGN STRUCTURES - ALUMINUM TRUSS DETAILS
FOR TRUSS TYPES I-A, II-A AND III-A**

SHEET NO. S-3 OF 10 SHEETS

F.A. RTE.	SECTION	COUNTY	TOTAL SHEETS	SHEET NO.
330	0105 WRS&HB	COOK	605	244
CONTRACT NO. 60G37				

ILLINOIS FED. AID PROJECT