

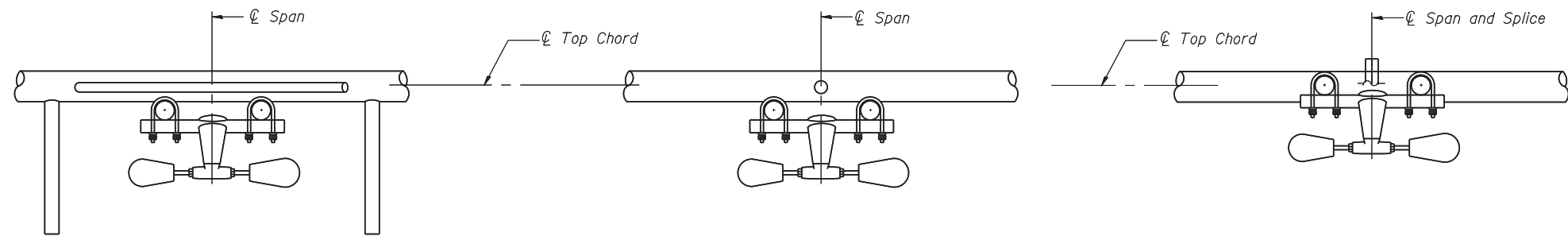
PLAN DETAIL "A"
 ☉ Span between Panel Points

PLAN DETAIL "B"
 ☉ Span at Panel Point

PLAN DETAIL "C"
 ☉ Span at ☉ Chord Splice

* Center of horizontal to center of splice dimension may vary. Verify before drilling holes in mounting tube.

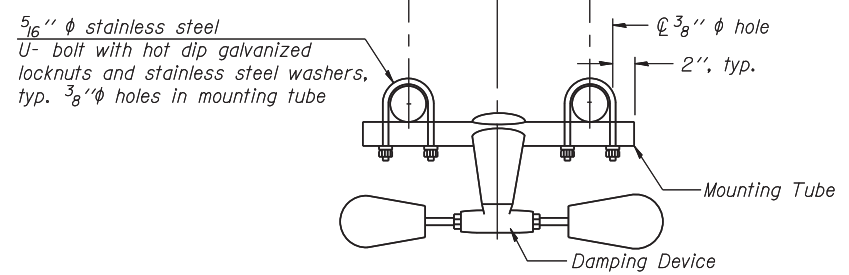
NOTES
 Damper: One damper per truss. (31 lbs. minimum Stockbridge-Type Aluminum - 29" minimum between ends of weights) Cost included in Overhead Sign Structure...
 Materials: Materials: Aluminum tubes shall be ASTM B221 alloy 6061 temper T6. Cost included in Overhead Sign Structure...



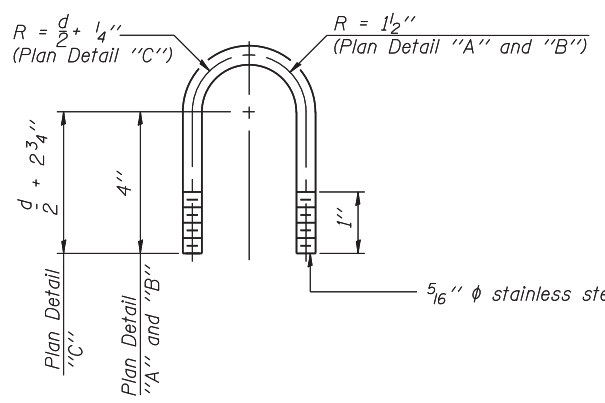
SECTION A-A

SECTION B-B

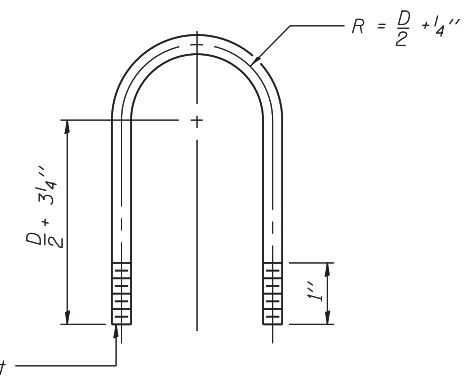
SECTION C-C



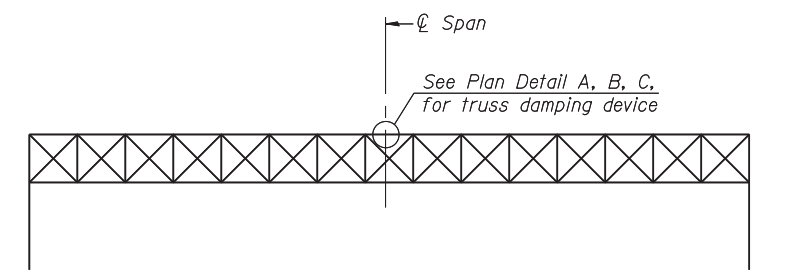
TRUSS DAMPING DEVICE CONNECTION DETAIL
 (Typical)



DAMPING DEVICE MOUNTING TUBE U-BOLT DETAIL
 (Typical)



TOP CHORD TO CROSS TUBE U-BOLT DETAIL
 (Typical - Detail "A" and "B")



ELEVATION
 Aluminum Overhead Sign Truss

OS-A-D

1-20-11



USER NAME = lkalite	DESIGNED PCA	REVISED
PLOT SCALE = 0.8833331	CHECKED MRI	REVISED
PLOT DATE = 09-OCT-2012	DRAWN LK	REVISED
	DATE 10/19/12	REVISED

STATE OF ILLINOIS
 DEPARTMENT OF TRANSPORTATION

OVERHEAD SIGN STRUCTURE
 DAMPING DEVICE

SHEET NO. S-4 OF 10 SHEETS

F.A. RTE.	SECTION	COUNTY	TOTAL SHEETS	SHEET NO.
330	0105 WRS&HB	COOK	605	245
CONTRACT NO. 60G37				

ILLINOIS FED. AID PROJECT