

NOTES:

The foundation dimensions shown are based on the presence of mostly cohesive soils with an average Unconfined Compressive Strength (Qu) of at least 1.25 tsf, which must be determined by previous soil investigations at the jobsite. When other conditions are indicated, the boring data will be included in the plans and the foundation dimensions shown will be the result of site specific designs.

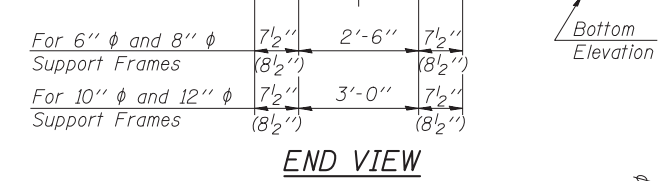
If the conditions encountered are different than those indicated, the Contractor shall notify the Engineer to determine if the foundation dimensions need to be modified. If dimensions "B" or "F" are revised by more than 12" by the Contractor, "as-built" plans shall be prepared and submitted to the District Bureau of Operations for future reference.

No sonotubes or decomposable forms shall be used below the lower conduit entrance. Permanent metal forms or other shielding may not be left in place below that elevation without the Engineer's written permission.

Concrete shall be placed monolithically, without construction joints. Backfill shall be placed per Article 502 of Standard Specification and prior to erection of support column.

A normal surface finish followed by a Bridge Seat Sealer application will be required on concrete surfaces above the lowest elevation 6" below finished ground line. Cost included in Drilled Shaft Concrete Foundation.

The cost of the steel conduit, ground rod, and other electrical hardware is included in "Drilled Shaft Concrete Foundations".



**SIDE ELEVATION**  
Concrete Foundation poured monolithically with no construction joint.

Pipe Support Frames	cc	M	a	a/2
6" φ	7'-0"	9'-6"	0'-11"	5 1/2"
8" φ	7'-6"	10'-0"	1'-1 1/2"	6 3/4"
10" φ	8'-3"	11'-3"	1'-3"	7 1/2"
12" φ	9'-0"	12'-0"	1'-6"	9"

**BAR LIST - EACH FOUNDATION**

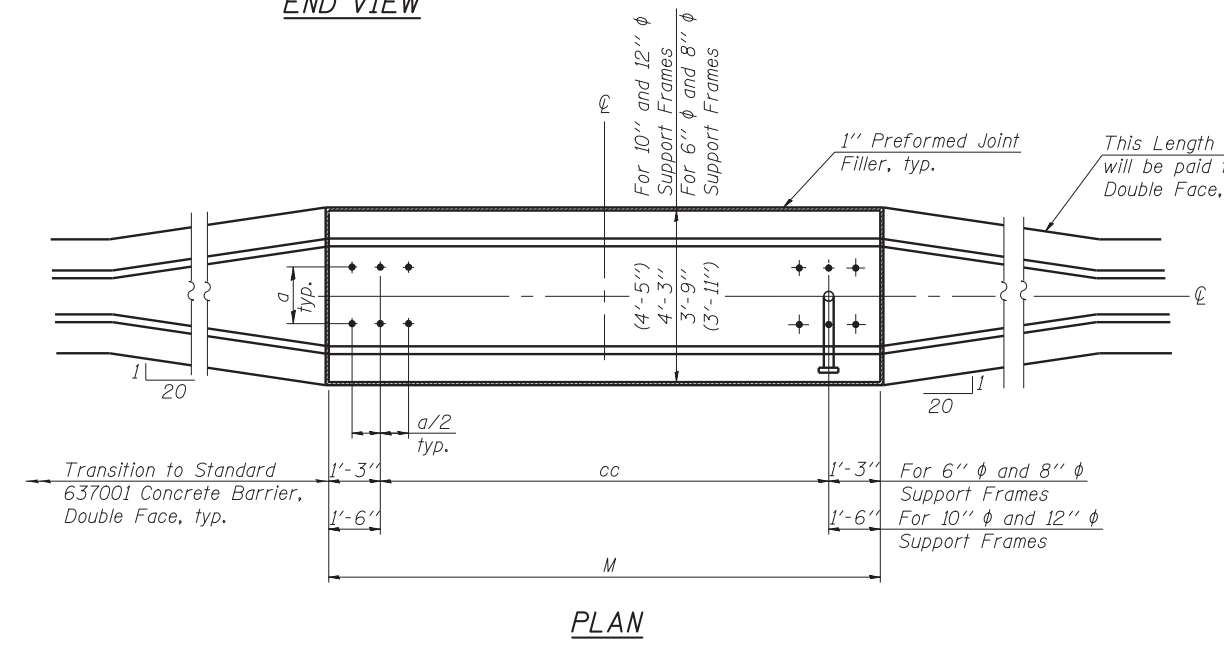
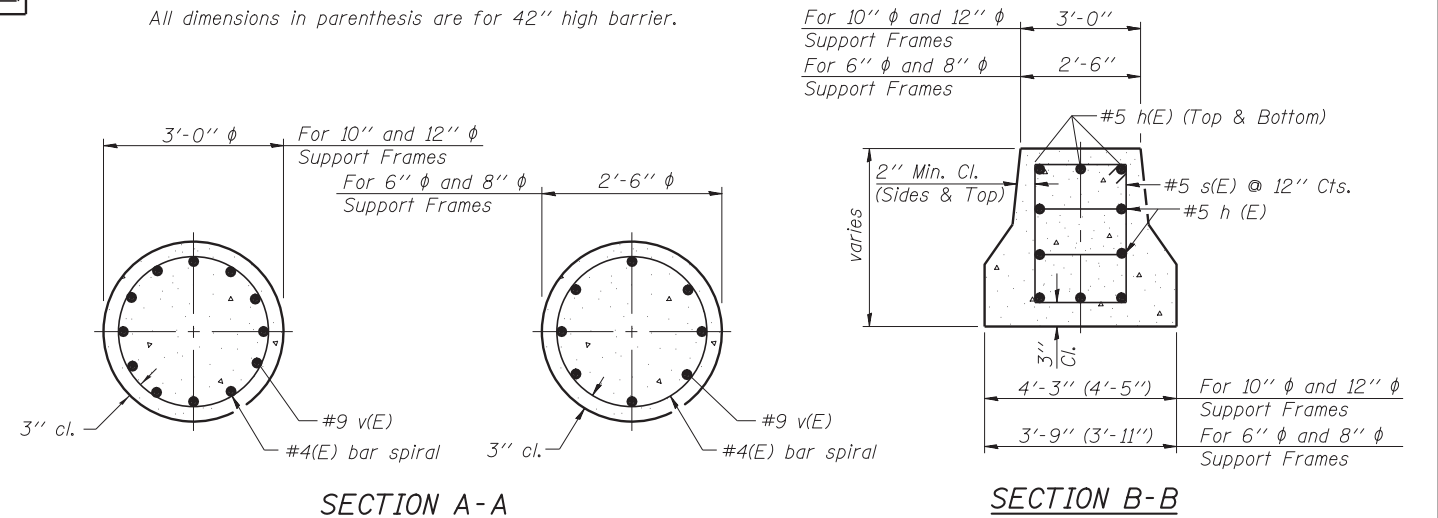
Bar	Number	Size	Length	Shape
h(E)	10	#5	M less 4"	—
s(E)	Varies	#5	Varies	□
v(E)	16	#9	F less 0'-5"	—
v(E)	24	#9	F less 0'-5"	—

6" φ and 8" φ Support Frame

10" φ and 12" φ Support Frame

#4(E) bar spiral - see Side Elevation

All dimensions in parenthesis are for 42" high barrier.



Structure Number	Station	Left Foundation				Right Foundation				Class DS Concrete (Cu. Yds.)
		Elevation Top	Elevation Bottom	B	F	Elevation Top	Elevation Bottom	B	F	
ISO16U045R005.1	71+00	641.35	618.91	18'-10 1/2"	22'-5 1/4"					15.3
ISO16U045R005.6	96+75	641.80	616.36	21'-10 1/2"	25'-5 1/4"					16.9
ISO16U045R005.7	102+75	644.80	618.86	22'-4 1/2"	25'-11 1/4"					17.1

OS4-MED

1-20-11



USER NAME = lkalito	DESIGNED PCA	REVISED
CHECKED MRI	REVISIONS	REVISED
PLOT SCALE = 0.883333:1	DRAWN LK	REVISED
PLOT DATE = 09-OCT-2012	DATE 10/19/12	REVISED

STATE OF ILLINOIS  
DEPARTMENT OF TRANSPORTATION

OVERHEAD SIGN STRUCTURES  
MEDIAN SUPPORT FOUNDATION DETAILS

SHEET NO. S-10 OF 10 SHEETS

F.A. RTE.	SECTION	COUNTY	TOTAL SHEETS	SHEET NO.
330	0105 WRS&HB	COOK	605	251
CONTRACT NO. 60G37				
ILLINOIS FED. AID PROJECT				