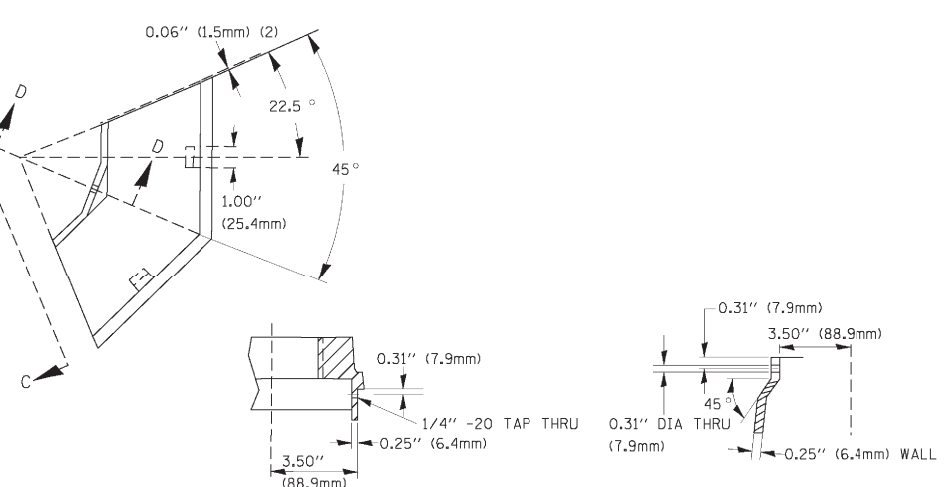
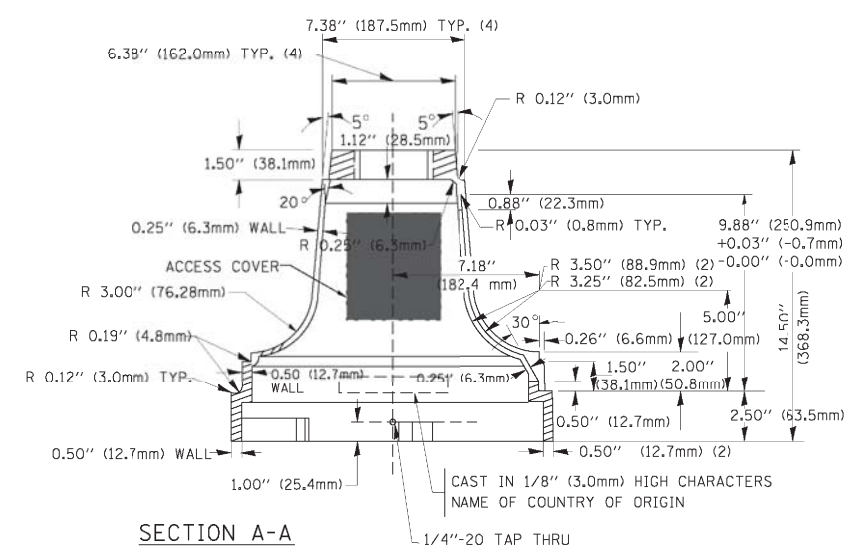


TOP VIEW

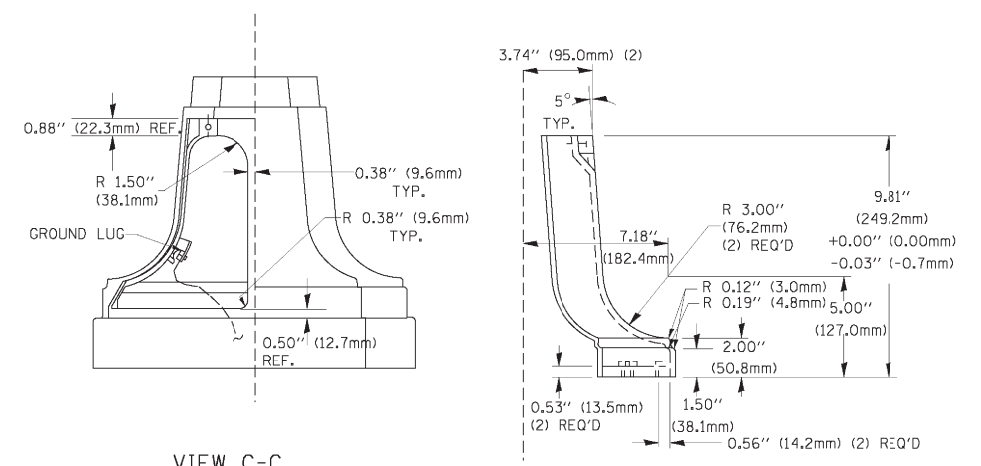


SECTION B-B

SECTION D-D

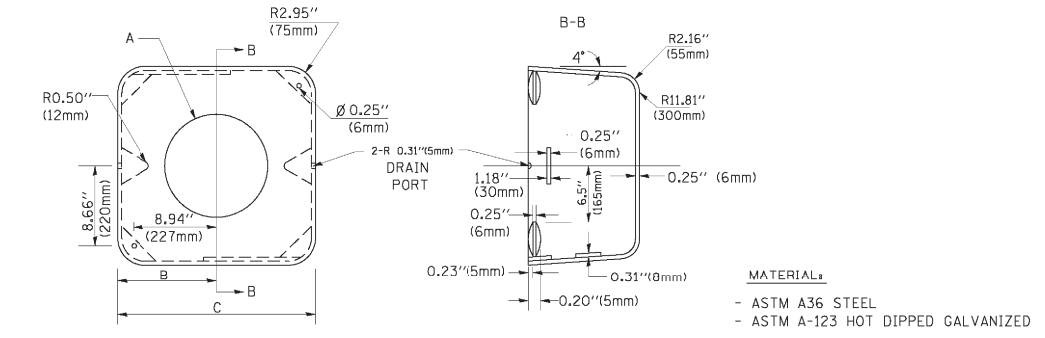


SECTION A-A



VIEW C-C

TRAFFIC SIGNAL POST - MOUNTING BASE - TYPE A

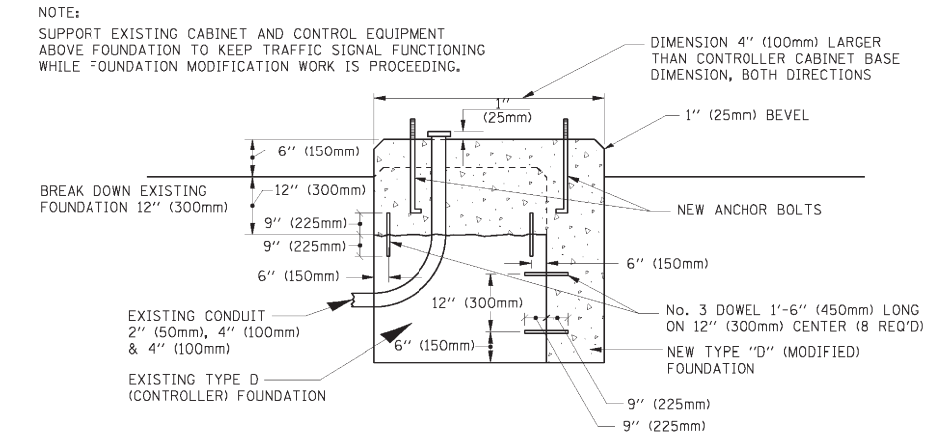


SHROUD

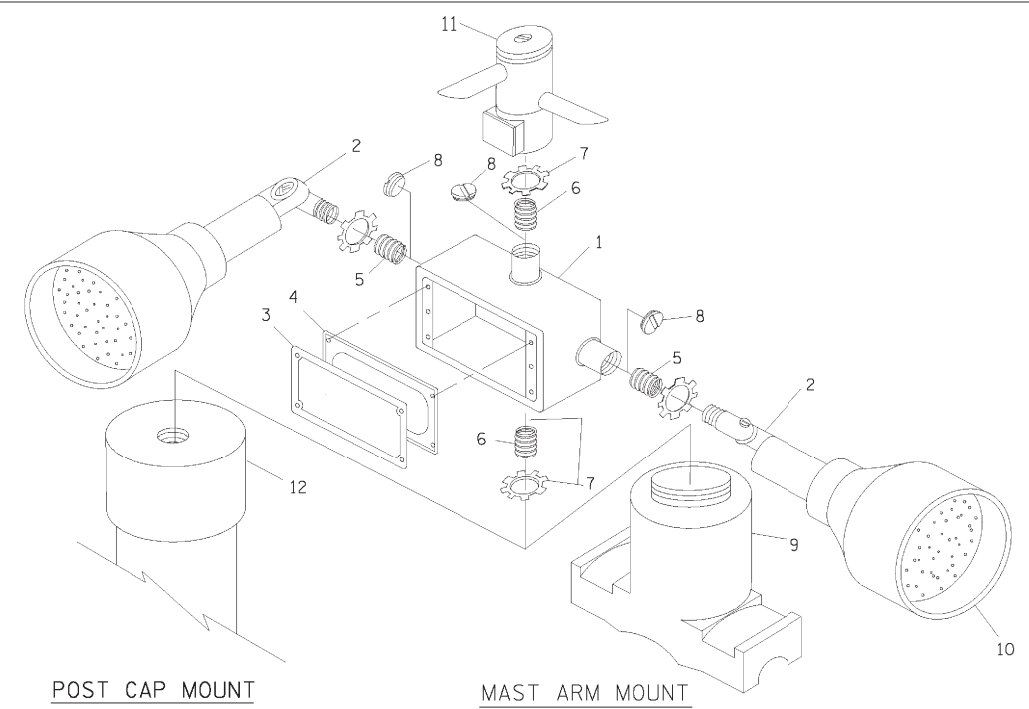
| A | B | C | HEIGHT | WEIGHT |
|-----------|----------------|---------------|--------------------------|-----------------|
| VARIABLES | 9.5\"(241mm) | 19\"(483mm) | 7\"(178mm) - 12\"(300mm) | 53 lbs (24kg) |
| VARIABLES | 10.75\"(273mm) | 21.5\"(546mm) | 7\"(178mm) - 12\"(300mm) | 68 lbs (31 kg) |
| VARIABLES | 13.0\"(330mm) | 26\"(660mm) | 7\"(178mm) - 12\"(300mm) | 81 lbs (37 kg) |
| VARIABLES | 18.5\"(470mm) | 37\"(940mm) | 7\"(178mm) - 12\"(300mm) | 126 lbs (57 kg) |

NOTES:

- DIMENSION "A" IS EQUAL TO THE DIAMETER OF THE MAST ARM POLE AT THE TOP OF THE SHROUD. THE SHROUD SHALL BE TIGHT TO THE MAST ARM POLE.
- THE SUPPLIER SHALL VERIFY THE ABOVE DIMENSIONS BASED ON MAST ARM REQUIREMENTS.
- THE HEIGHT OF THE SHROUD SHALL COVER THE ANCHOR BOLTS, NUTS AND MAST ARM POLE BASE.



MODIFY EXISTING TYPE "D" FOUNDATION



POST CAP MOUNT

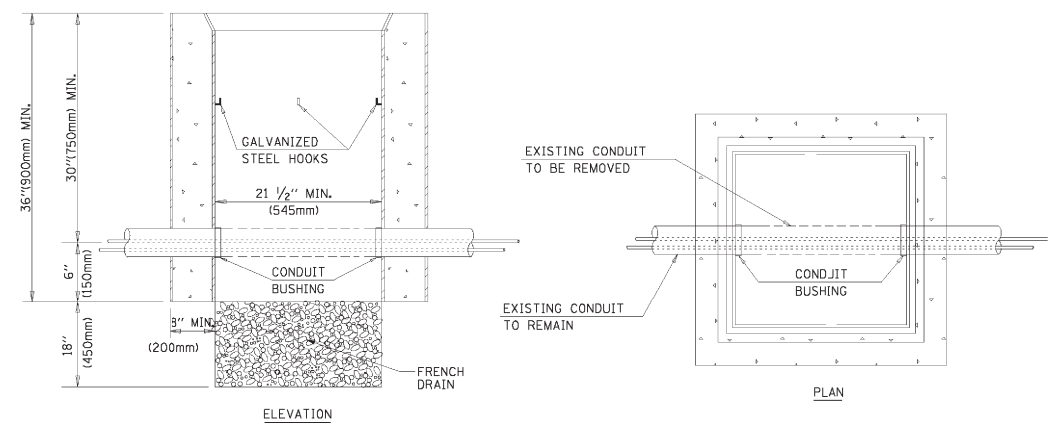
MAST ARM MOUNT

EMERGENCY VEHICLE DETECTOR WITH CONFIRMATION BEACON MOUNTING DETAIL

| ITEM NO. | IDENTIFICATION |
|----------|---|
| 1 | OUTLET BOX- GALV. 21 CU.IN. (0.000344 CU-M) |
| 2 | LAMP HOLDER AND COVER |
| 3 | OUTLET BOX COVER |
| 4 | RUBBER COVER GASKET |
| 5 | REDUCING BUSHING |
| 6 | 3/4\"(19 mm) CLOSE NIPPLE |
| 7 | 3/4\"(19 mm) LOCKNUT |
| 8 | 3/4\"(19 mm) HOLE PLUG |
| 9 | SADDLE BRACKET - GALV. |
| 10 | 6 WATT PAR 38 LED FLOOD LAMP |
| 11 | DETECTOR UNIT |
| 12 | POST CAP [18 FT. (5.4 m) POST MIN.] |

NOTES:

- ALL ELECTRICAL ITEMS, EXCEPT ITEMS #2 AND #11 SHALL BE ALUMINUM OR GALVANIZED
- ITEM #1- OZ/GEDNEY FSX-1-50 OR EQUIVALENT
ITEM #2- MULBERRY CON-0-SHADE LAMP SHIELD OR EQUIVALENT
ITEM #9- "BAND-IT" SADDLE BRACKET OR EQUIVALENT
- WHEN POST MOUNTING IS SPECIFIED, ITEM #9 SHALL NOT BE REQUIRED. THE DETECTION UNIT SHALL BE MOUNTED DIRECTLY ON TOP OF THE CAP BY DRILLING AND TAPPING A 3/4\"(19 mm) HOLE WITH PIPE THREADS. THE POST CAP SHALL EITHER BE SCREWED TO THE TOP OF THE POST OR A MINIMUM OF 3 TIGHTENING SCREWS SHALL BE REQUIRED ON EACH CAP.



NOTES:

- HANDHOLE CONSTRUCTED PER STATE STANDARD 814001.
- REMOVAL OF THE EXISTING CONDUIT FROM THE HANDHOLE AND THE INSTALLATION OF THE CONDUIT BUSHINGS SHALL BE INCIDENTAL TO THE HANDHOLE.

HANDHOLE TO INTERCEPT EXISTING CONDUIT



| | | |
|------------------------|-----------------|-----------|
| USER NAME = rmanucod | DESIGNED JA | REVISED - |
| PLOT SCALE = *SCALE* | DRAWN RM | REVISED - |
| PLOT DATE = 11/14/2012 | CHECKED HS | REVISED - |
| | DATE 10/19/2012 | REVISED - |

STATE OF ILLINOIS
DEPARTMENT OF TRANSPORTATION

DISTRICT 1
STANDARD TRAFFIC SIGNAL DESIGN DETAILS

SCALE: SHEET NO. OF SHEETS STA. TO STA.

| | | | | |
|---------------------------|---------------------|-------------|------------------|---------------|
| F.A.P. RTE. 330 | SECTION 0105 WRS&HB | COUNTY COOK | TOTAL SHEETS 605 | SHEET NO. 264 |
| ILLINOIS FED. AID PROJECT | | | | |