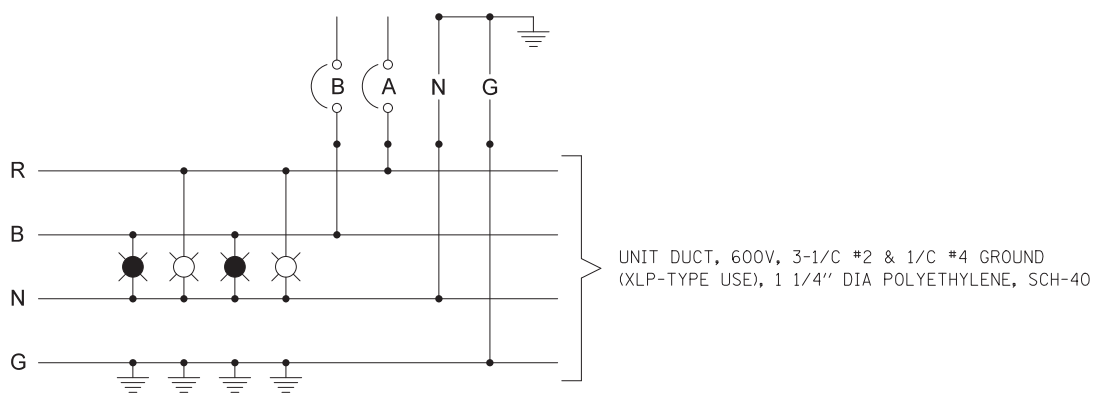


MATCH LINE A-A

MATCH LINE A-A



LUMINAIRE WIRING DETAIL (TYPICAL)

LOAD TABLE (AMPS)
CONTROLLER "B"
240/480V, 1PH, 3W

CKT. TAG	PHASE A	PHASE B	LUMINAIRES
A	17.33	----	11-310W HPS
B	----	15.76	10-310W HPS
C	18.91	----	12-310W HPS
D	----	18.91	12-310W HPS
E	28.30	----	7-310W HPS 34-100W HPS
F	----	28.30	7-310W HPS 34-100W HPS
G	10.72	----	17-100W HPS 1-310W HPS
H	----	12.29	18-100W HPS 2-310W HPS
I	10.15	----	20-100W HPS
J	----	9.64	19-100W HPS

TOTAL AMPS AT 240V	85.41 A	84.90 A
--------------------	---------	---------