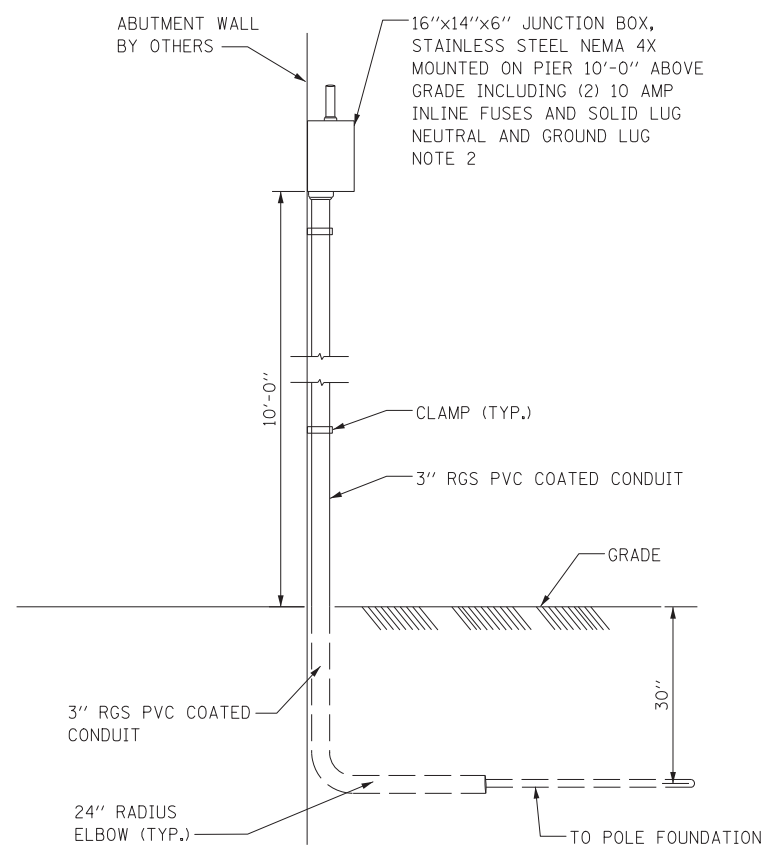


**ELECTRIC CONNECTION TO UNDERPASS LIGHTING AT CONCRETE BARRIER**  
N.T.S.

**NOTE:**

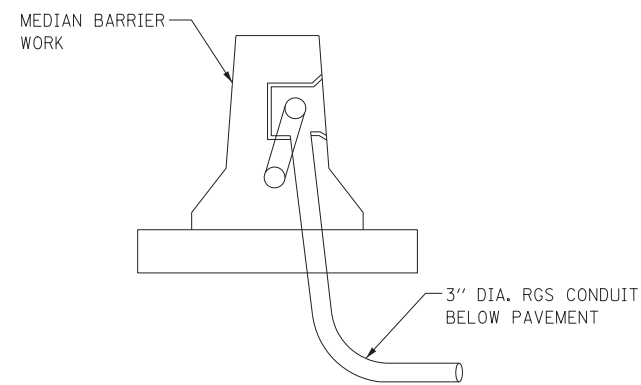
- 1. COORDINATE WITH BRIDGE STRUCTURAL WORK.



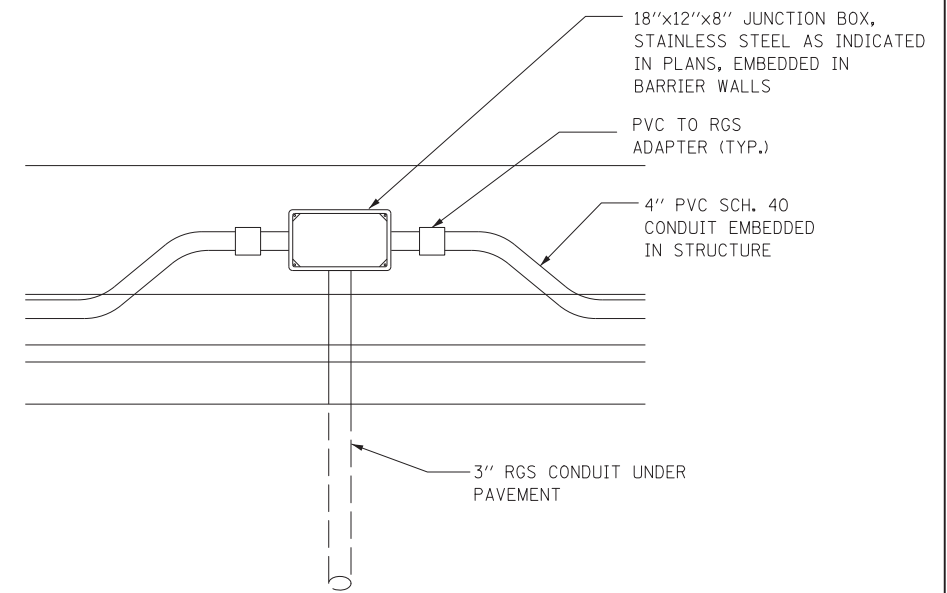
**ELECTRIC CONNECTION TO UNDERPASS LIGHTING AT BRIDGE ABUTMENT**  
N.T.S.

**NOTES:**

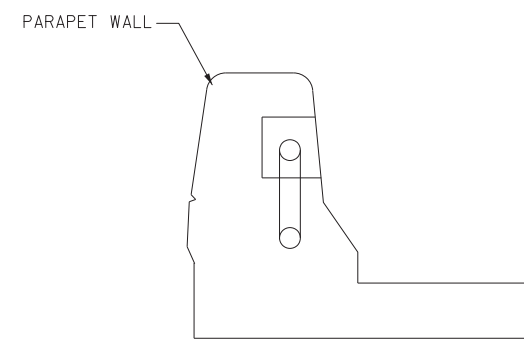
- 1. COORDINATE WITH BRIDGE STRUCTURAL WORK.
- 2. JUNCTION BOX ATTACHED TO PIER/ ABUTMENT WALL MUST BE ATTACHED WITH EXPANSION ANCHORS AS RECOMMENDED BY MANUFACTURER. EXPANSION ANCHORS POWDER ACTUATED FASTENERS WILL NOT BE ALLOWED.



**SECTION**  
N.T.S.



**JUNCTION BOX EMBEDDED IN CONCRETE BARRIER**  
N.T.S.



**ELEVATION**  
**JUNCTION BOX DETAIL IN**  
**BRIDGE PARAPET WALL**  
N.T.S.

USER NAME = moi	DESIGNED - HS	REVISED -
PLOT SCALE = *SCALE*	DRAWN - KK	REVISED -
PLOT DATE = 10/5/2012	CHECKED - HS	REVISED -
	DATE - 10-19-2012	REVISED -

F.A.P. RTE.	SECTION	COUNTY	TOTAL SHEETS	SHEET NO.
330	0105 WRS&HB	COOK	605	322
CONTRACT NO. 60G37				
ILLINOIS FED. AID PROJECT				