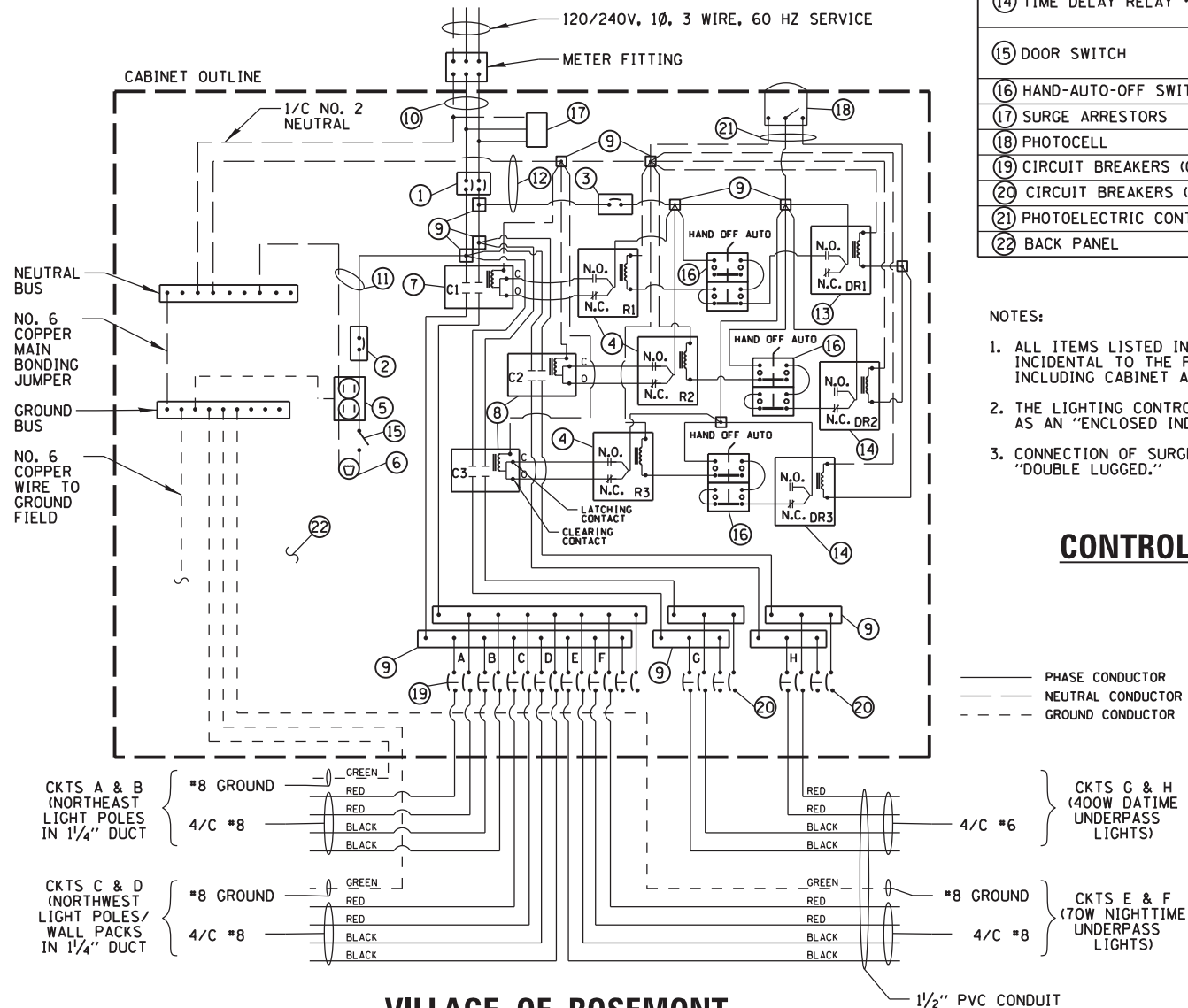


**VILLAGE OF ROSEMONT
LIGHTING CONTROLLER #3
CIRCUIT WATTAGE LOADS**

CIRCUIT ID	70W HPS 240V LIGHT	LOAD (WATTS)	100W HPS 240V LIGHT	LOAD (WATTS)	400W HPS 240V LIGHT	LOAD (WATTS)	TOTAL CIRCUIT LOAD (WATTS)
A	-	-	5 • 120 W	600 W	-	-	600 W
B	-	-	5 • 120 W	600 W	-	-	600 W
C	4 • 87 W	348 W	2 • 120 W	240 W	-	-	588 W
D	3 • 87 W	261 W	3 • 120 W	360 W	-	-	621 W
E	4 • 87 W	348 W	-	-	-	-	348 W
F	3 • 87 W	261 W	-	-	-	-	261 W
G	-	-	-	-	13 • 475 W	6,175 W	6,175 W
H	-	-	-	-	14 • 475 W	6,650 W	6,650 W
TOTAL							15,873 W



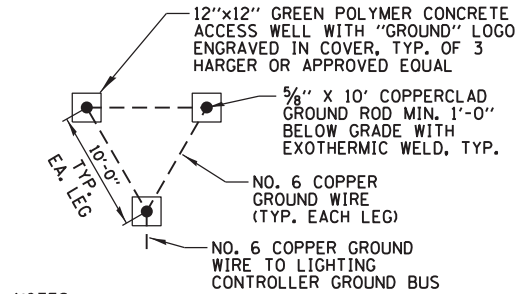
**VILLAGE OF ROSEMONT
LIGHTING CONTROLLER #3 WIRING DETAIL**
N.T.S.

ITEM	SPECIFICATION OR EQUAL
1 MAIN CIRCUIT BREAKER	100 AMPERE, 2P, 240 V RATING, 22K AIC
2 LAMPHOLDER CIRCUIT BREAKER	15 AMPERE, 1P, 120 V RATING, 22K AIC
3 PHOTOELECTRIC CONTROL CIRCUIT BREAKER	15 AMPERE, 1P, 120 V RATING, 22K AIC
4 AUXILIARY RELAYS #1, #2, #3	120 V / 25 AMP DPDT WITH 2 N.O. AND 2 N.C. CONTACTS
5 CABINET RECEPTACLE AND BOX	COMMERCIAL GRADE GFCI 20A/120V, MOUNTED IN A WEATHERPROOF CAST ALUMINUM SINGLE GANG BOX WITH WEATHERPROOF COVER
6 CABINET LIGHT AND BOX	120V WEATHERPROOF LAMPHOLDER MOUNTED IN A CAST ALUMINUM BOX & EXT. GRADE 100W LAMP
7 CONTACTOR #1 (NIGHTTIME LIGHTS)	100 AMPERE, 2P, 240 V, MECHANICALLY HELD
8 CONTACTOR #2 & #3 (DAYTIME LIGHTS)	60 AMPERE, 2P, 240 V, MECHANICALLY HELD
9 POWER DISTRIBUTION BLOCK	600 VOLT, INSULATED, SIZE AS REQUIRED
10 SERVICE CABLES	3-600V (XLP-TYPE USE) NO. 2
11 LAMPHOLDER/RECEPTACLE WIRE	2-600V XLP NO. 12
12 CONTROL WIRE	2-600V XLP NO. 12
13 TIME DELAY RELAY #1	25A-120 V, DPDT, NO & 2 NC CONTACTS DELAY OFF TYPE TIMER WITH DELAY SET TO 10 MINUTES
14 TIME DELAY RELAY #2 & #3	25A-120 V, DPDT, NO & 2 NC CONTACTS DELAY ON TYPE WITH DELAY SET #2 TO 10 MINUTES & #3 TO 5 MINUTES
15 DOOR SWITCH	20A/120V, DOOR MOUNTED SNAP ACTION TYPE PLUNGER SWITCH
16 HAND-AUTO-OFF SWITCH #1, #2, #3	20 AMPERE, 3 POSITION, 600 V
17 SURGE ARRESTORS	10 K AMPERE RATING
18 PHOTOCCELL	120V, MTD. ON CABINET, DELAY TYPE, SPST-NC
19 CIRCUIT BREAKERS (CONTACTOR #1)	7- 20 AMPERE, 2P, 240 V RATING, 22K AIC
20 CIRCUIT BREAKERS (CONTACTOR #2, #3)	4- 40 AMPERE, 2P, 240 V RATING, 22K AIC
21 PHOTOELECTRIC CONTROL WIRE	3-600V XLP NO. 12
22 BACK PANEL	1/2" THICK SOLID PHENOLIC LAMINATE

NOTES:

- ALL ITEMS LISTED IN LIGHTING CONTROLLER COMPONENT SCHEDULE SHALL BE CONSIDERED INCIDENTAL TO THE PRICE BID FOR "LIGHTING CONTROLLER, BASE MOUNTED, 240V, 100 AMP" INCLUDING CABINET AND FOUNDATION.
- THE LIGHTING CONTROLLER TOGETHER WITH ALL OF ITS COMPONENTS SHALL BE UL LISTED AS AN "ENCLOSED INDUSTRIAL CONTROL PANEL" UNDER UL508A.
- CONNECTION OF SURGE ARRESTOR TO LINE SIDE OF MAIN CIRCUIT BREAKER SHALL NOT BE "DOUBLE LUGGED."

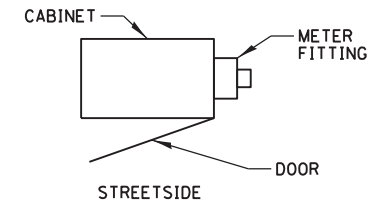
**VILLAGE OF ROSEMONT
CONTROL CENTER #3 COMPONENT SCHEDULE**



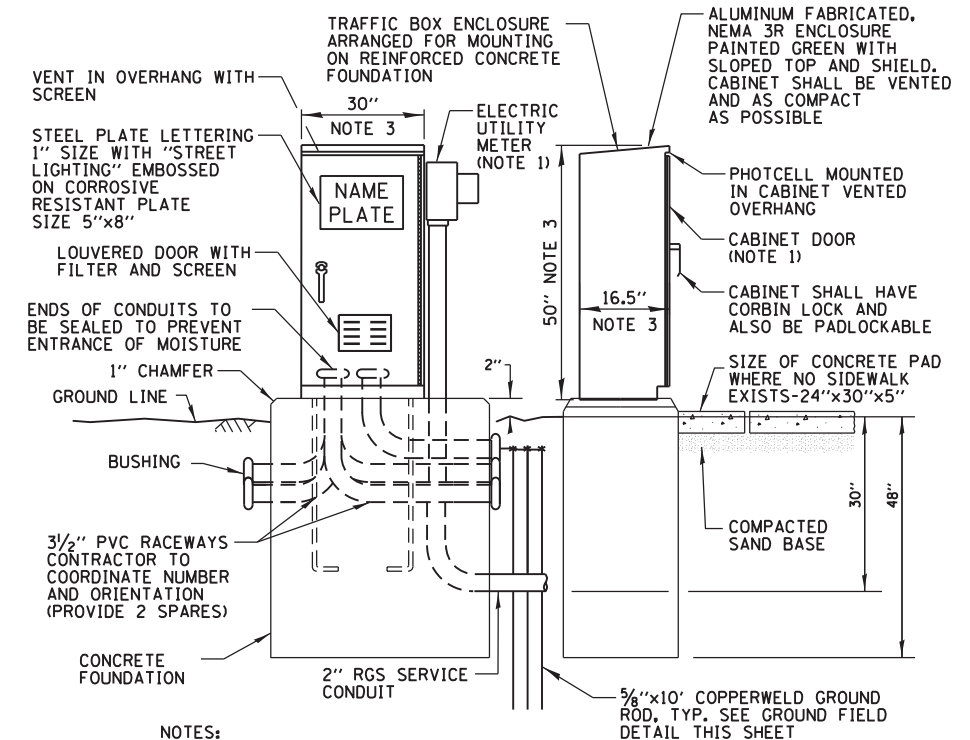
NOTES:

- ACCESS WELLS SHALL BE INCLUDED IN THE LIGHTING CONTROLLER PAY ITEM.

GROUND FIELD DETAIL (TYP.)
N.T.S.



CABINET METER FITTING & DOOR ORIENTATION
N.T.S.



NOTES:

- SEE DETAIL THIS SHEET FOR CABINET METER FITTING & DOOR ORIENTATION.
- ALL ITEMS SHOWN ABOVE (INCLUDING FOUNDATION & GROUND FIELD) SHALL BE INCLUDED IN THE PRICE BID FOR "LIGHTING CONTROLLER, BASE MOUNTED, 240V, 100 AMP", EXCEPT FOR THE SERVICE CONDUIT/WIRE WHICH WILL BE PAID FOR UNDER "ELECTRIC SERVICE INSTALLATION".
- CABINET DIMENSIONS SHOWN ARE APPROXIMATE, CABINET SHALL BE AS COMPACT AS POSSIBLE, CONTRACTOR TO COORDINATE.

**VILLAGE OF ROSEMONT - LIGHTING CONTROLLER #3
CABINET AND FOUNDATION**
N.T.S.

CKT	ITEM	TIME OF DAY				
		DAY	SUNSET	NIGHT	SUNRISE	DAY
A,B,C,D	LIGHT POLES	OFF	ON	ON	OFF	OFF
C,D	WALL PACKS	OFF	ON	ON	OFF	OFF
E, F	70W NIGHT UNDERPASS LIGHTS	OFF	ON	ON	10 MIN DELAY OFF	OFF
G	400W DAY UNDERPASS LIGHTS	ON	5 MIN DELAY OFF	OFF	ON	ON
H	400W DAY UNDERPASS LIGHTS	ON	10 MIN DELAY OFF	OFF	ON	ON

SEQUENCE OF OPERATION

<p>CHRISTOPHER B. BURKE ENGINEERING, LTD. 9575 W. Higgins Road, Suite 600 Rosemont, Illinois 60018 (847) 923-0900</p>	USER NAME = pmagnelli	DESIGNED <i>AJD</i>	REVISED -
	PLOT SCALE = 1/8"	DRAWN <i>KWB</i>	REVISED -
	PLOT DATE = 10/17/2012	CHECKED <i>AJD</i>	REVISED -
		DATE = 7/2012	REVISED -

STATE OF ILLINOIS
DEPARTMENT OF TRANSPORTATION

LIGHTING DETAILS (1 OF 6)
BALMORAL UNDERPASS

SCALE: SHEET NO. OF SHEETS STA. TO STA.

F.A. RTE.	SECTION	COUNTY	TOTAL SHEETS	SHEET NO.
330	0105 WRS&HB	COOK	605	327
CONTRACT NO. 60G37				
ILLINOIS FED. AID PROJECT				