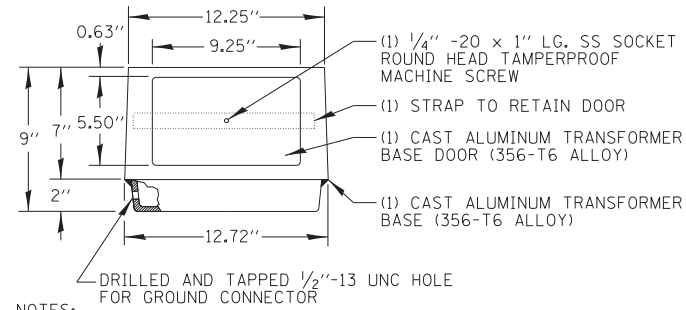
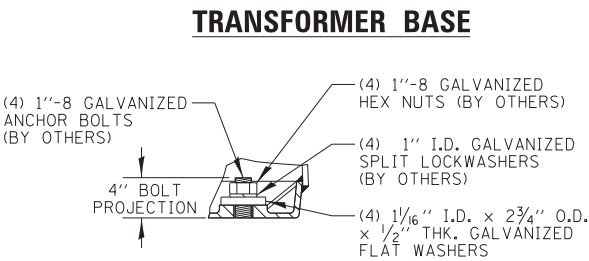


TRANSFORMER BASE BOTTOM VIEW
TRANSFORMER BASE TOP VIEW

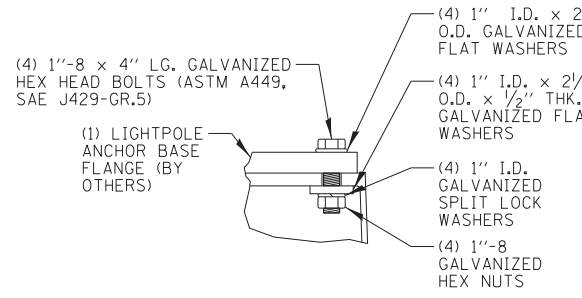


NOTES:
1. BEFORE INSTALLATION OF BREAKAWAY BASE, USER SHOULD CONSULT WITH AUTHORIZED DISTRIBUTOR REGARDING USERS PROPOSED APPLICATION, LOAD REQUIREMENTS AND INSTALLATION METHODS. FAILURES CAN RESULT FROM USERS MISAPPLICATION OR IMPROPER INSTALLATION. TO APPROACH OPTIMUM STATIC LOADS, USE THE LARGEST POSSIBLE BOLT CIRCLES AND USE STEEL WASHER SIZES SPECIFIED BELOW. FOR 12" Ø TOP & BOT. BOLT CIRCLES USE 2 3/4" Ø x 1/2" THK. WASHER. TORQUE GROUND MOUNTING NUTS TO 150 FT.-LBS. SHIMS SHALL NOT BE USED.

2. TRANSFORMER BASES SHALL BE USED FOR POLE TYPE "A", POLES

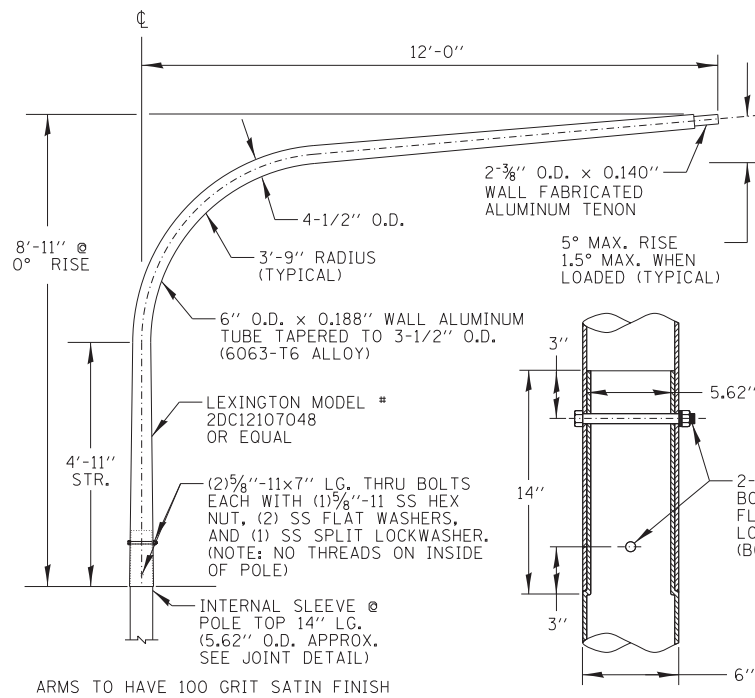


TRANSFORMER BASE TO FOUNDATION CONNECTION DETAIL

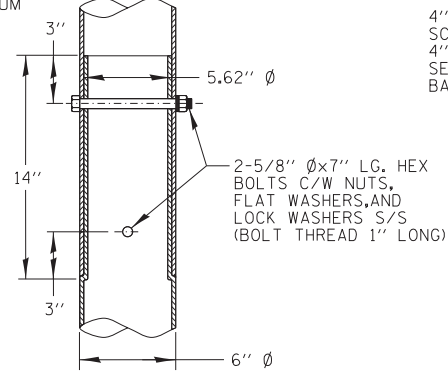


TRANSFORMER BASE TO LIGHTPOLE CONNECTION DETAIL

TRANSFORMER BASE DETAILS
N.T.S.



SINGLE DAVIT ARM
POLE DAVIT ARM DETAILS
N.T.S.



JOINT DETAIL

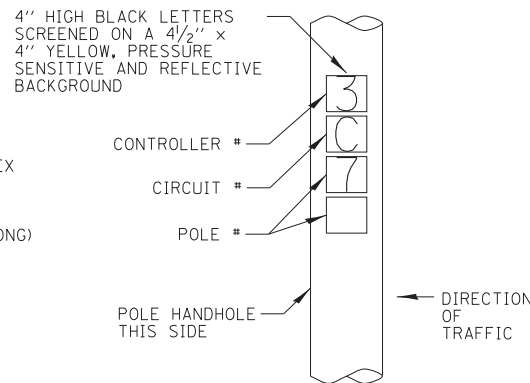
POLE TYPES

TYPE	O.A. POLE HEIGHT	POLE BASE HEIGHT	DAVIT ARM	MOUNTING CONFIG	T-BASE	LUMINAIRE
A	17'-0"	8'-6"	SINGLE	HELIX FND	YES	100 W
B	15'-0"	6'-6"	SINGLE	HELIX FND	YES	100 W

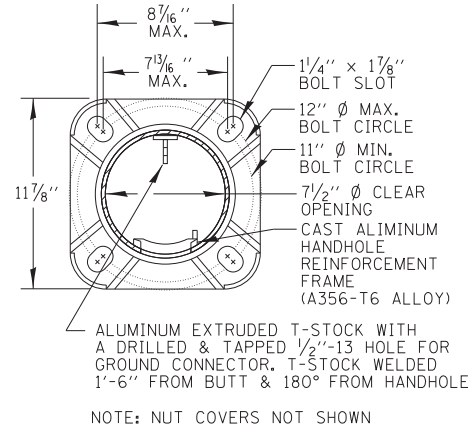
• INCLUDING TRANSFORMER BASE

LUMINAIRE TYPES

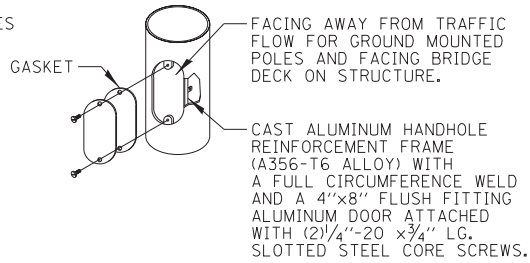
WATTAGE	MANUFACTURER	MODEL NO.	PHOTOMETRIC	CONTROLLER
100 WATT	GENERAL ELECTRIC 343	MDCL10SOA11FMC21	MC II	ROSEMONT "3"
100 WATT	T&B AMERICAN ELECTRIC	314-56312-DJ-00A2	MC II	ROSEMONT "3"



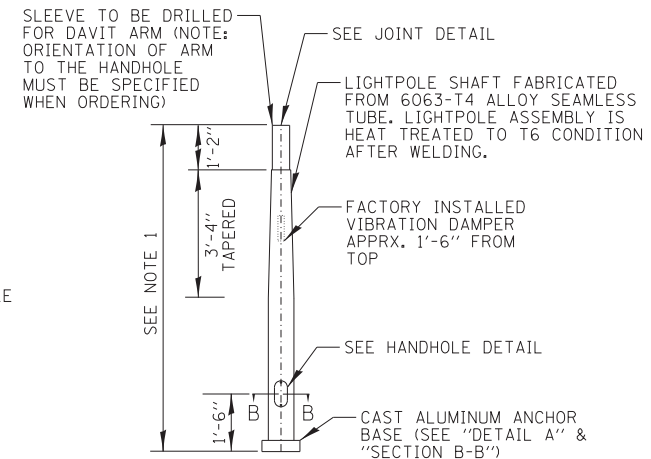
POLE IDENTIFICATION FOR ROSEMONT POLES
N.T.S.



SECTION B-B



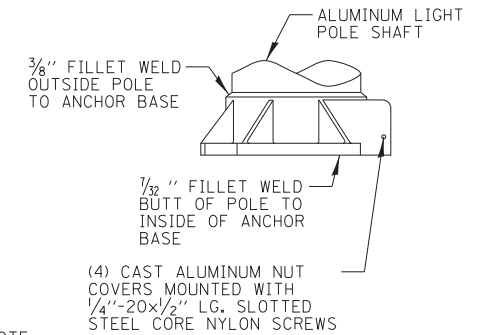
HANDHOLE DETAIL



NOTES:

- OVERALL POLE BASE HEIGHT IS 8'-6" FOR PROPOSED POLE TYPE "A", & 6'-6" FOR PROPOSED POLE TYPE "B".
- PROPOSED POLE TYPE "A" SHALL BE USED WITH TRANSFORMER BASES AND MOUNTED AT GRADE USING HELIX FOUNDATIONS.
- SEE POLE DAVIT ARM DETAIL FOR DAVIT ARM TYPES.
- BOTH LIGHT POLE TYPES COMPLETE WITH BASE, ARM, LUMINAIRE, AND ID LABEL SHALL BE PAID FOR UNDER "LIGHT POLE, SPECIAL". TRANSFORMER BASE PAID FOR SEPERATELY.

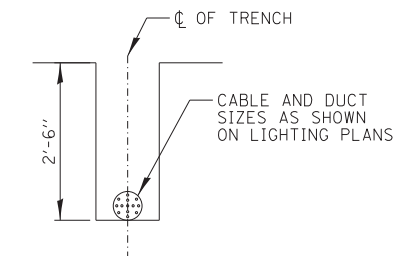
LIGHT POLE DETAILS
N.T.S.



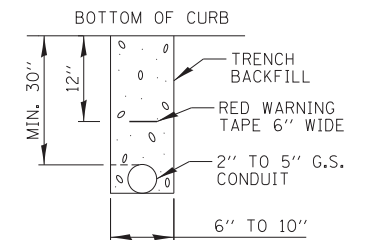
NOTE:

- 8" I.D. ANCHOR BASE CASTING (356-T6 ALLOY) WELDED TO THE BASE OF THE LIGHTPOLE WITH (2) FULL CIRCUMFERENCE FILLET WELDS.

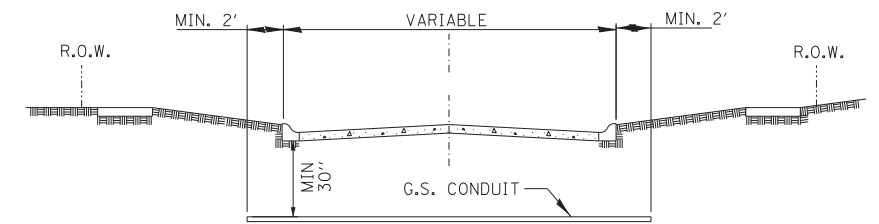
DETAIL A



TRENCH SECTION



TRENCH SECTION



STREET CROSSING

- CONDUIT SHALL BE HEAVY WALL RIGID G.S. CONDUIT.
- CONDUIT SHALL EXTEND A MINIMUM OF 2 FT. BEYOND BACK OF CURB.
- CONDUIT SHALL BE A MINIMUM OF 30" BELOW CURB BOTTOM.

ELECTRIC CONDUIT UNDER PAVEMENT
N.T.S.