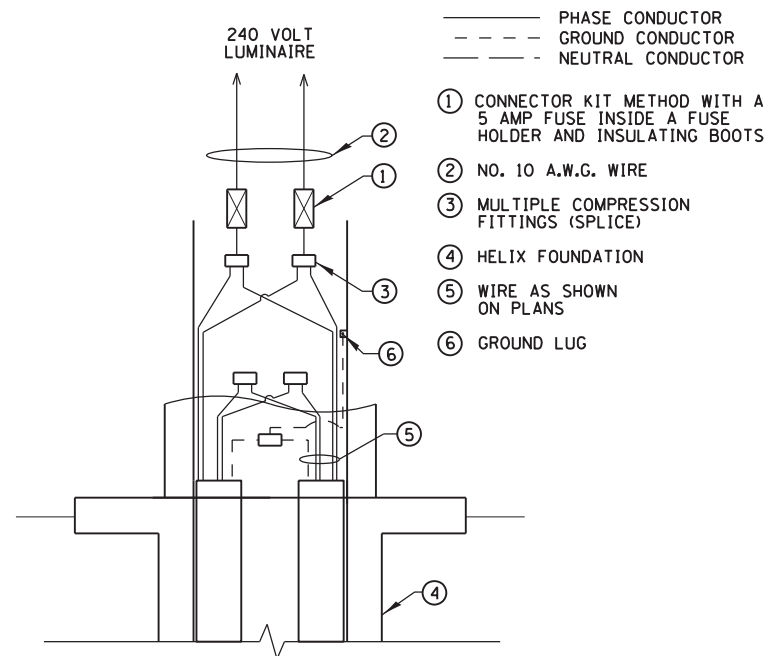
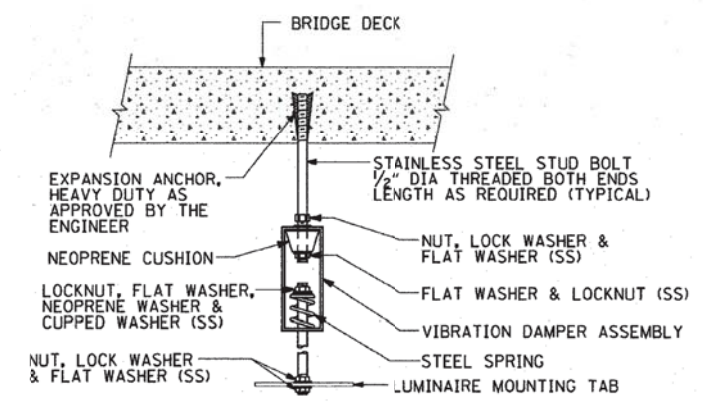


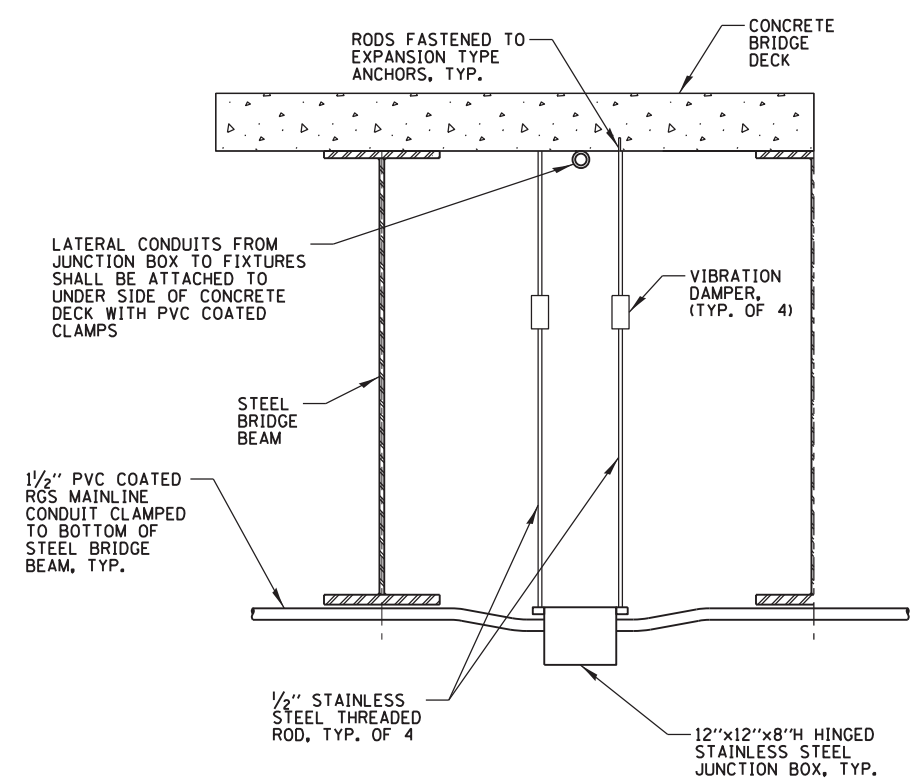
POLE HANDHOLE WIRING DIAGRAM FOR CHICAGO SINGLE ARM POLES
N.T.S.



POLE HANDHOLE WIRING DIAGRAM FOR ROSEMONT SINGLE ARM POLES
N.T.S.

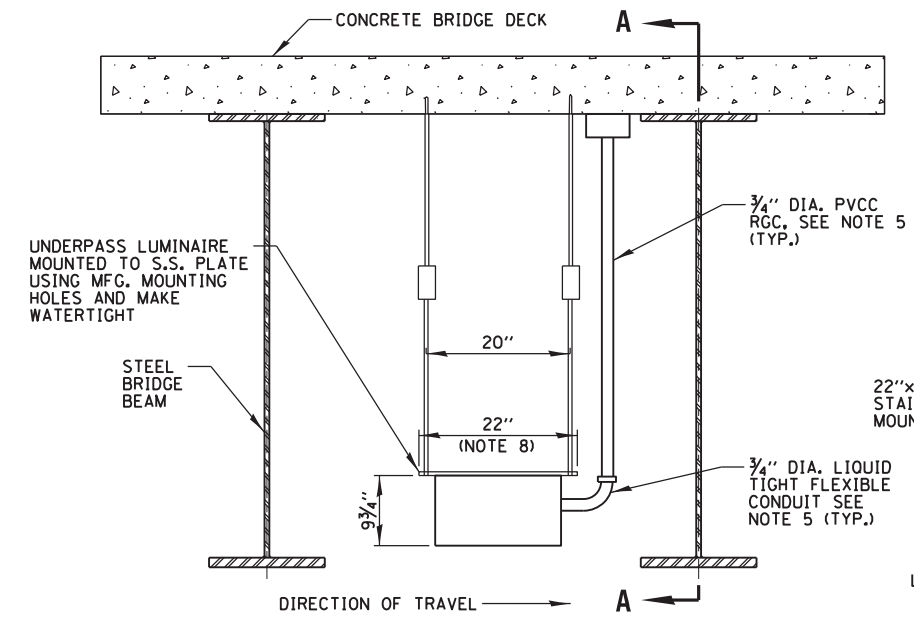


TYPICAL LUMINAIRE, JUNCTION BOX, AND CONDUIT HANGER ASSEMBLY DETAIL
N.T.S.



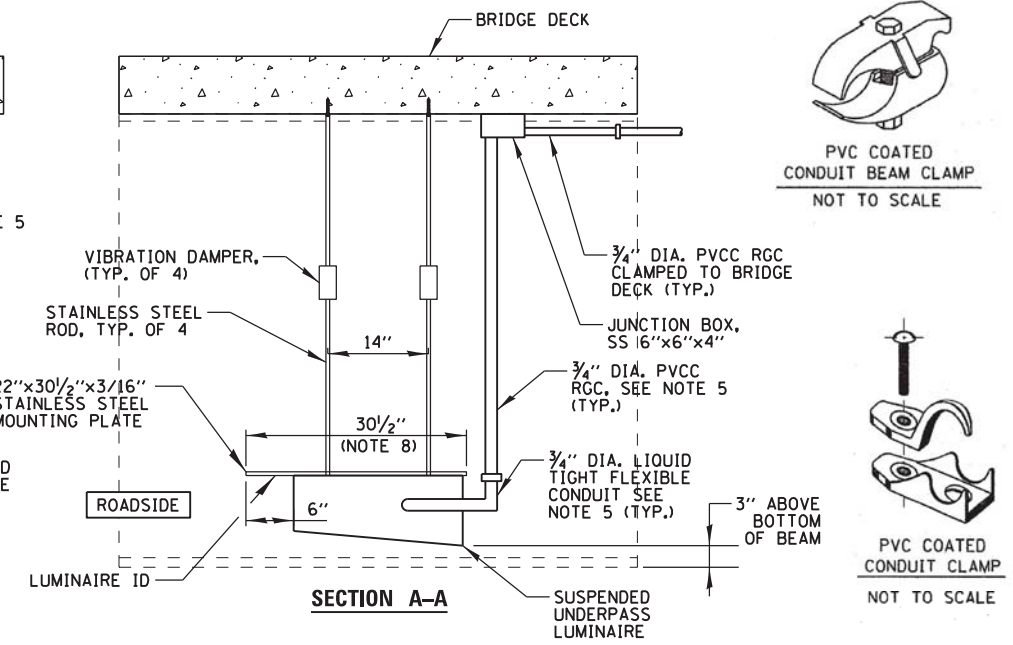
- NOTES:
- JUNCTION BOX, STAINLESS STEEL THREADED RODS, VIBRATION DAMPER, ANCHORAGE, SCANNING, AND ALL RELATED FASTENERS SHALL BE INCLUDED IN THE PRICE BID FOR "JUNCTION BOX, STAINLESS STEEL, ATTACHED TO STRUCTURE, 12"x12"x8".
 - CONTRACTOR TO SCAN CONCRETE SLAB PRIOR TO DRILLING FOR ANCHORS.

SUSPENDED JUNCTION BOX AND CONDUIT MOUNTING DETAIL
N.T.S.



- NOTES:
- CONTRACTOR SHALL ADJUST/ORIENT FIXTURES SO AS TO KEEP AN EVEN FIXTURE SPACING. ALL FIXTURES SHALL BE AIMED PERPENDICULAR TO PAVEMENT.
 - LUMINAIRE, STAINLESS STEEL MOUNTING PLATE, STAINLESS STEEL THREADED RODS, VIBRATION DAMPER, 6"x6"x4" JUNCTION BOX, VERTICAL CONDUIT, FLEXIBLE CONDUIT, ANCHORAGE, SCANNING, ID LABEL AND ALL RELATED HARDWARE SHALL BE INCLUDED IN THE PRICE BID FOR "UNDERPASS LUMINAIRE, SODIUM VAPOR, 70 WATT OR 400 WATT, HIGH PRESSURE SODIUM VAPOR".
 - ALL FIXTURES SHALL HAVE SALT RESISTANT COATING.
 - CONTRACTOR TO SCAN CONCRETE SLAB PRIOR TO DRILLING FOR ANCHORS.
 - LIQUID TIGHT FLEXIBLE METAL CONDUIT, MAXIMUM LENGTH 6'-0", TYPICAL FOR EACH INSTANCE AS SHOWN. PROVIDE PVC COATED RIGID GALVANIZED STEEL CONDUIT AS REQUIRED NOT TO EXCEED 6'-0" OF FLEXIBLE LIQUID TIGHT METAL CONDUIT.
 - SECURE THE CONDUIT WITH PVC COATED CONDUIT CLAMPS OR CONDUIT BEAM CLAMPS AS SHOWN AT 5'-0" INTERVALS FOR LATERALS AND WITHIN 2'-0" MAXIMUM FROM ANY JUNCTION BOX, FLEXIBLE CONDUIT, OR CHANGE IN DIRECTION. ALL PVC COATED CLAMPS OR BEAM CLAMPS SHALL BE INCLUDED WITH THE COST OF THE "CONDUIT ATTACHED TO STRUCTURE, OF THE CORRESPONDING DIA., GALVANIZED STEEL, PVC COATED" PAY ITEM.
 - ALL CONDUIT ATTACHED TO STRUCTURE SHALL BE PVC COATED RIGID STEEL CONDUIT (PVCC RGC), TYPICAL.
 - CONTRACTOR TO COORDINATE EXACT MOUNTING PLATE SIZE WITH LUMINAIRE SELECTED.
 - LUMINAIRE ID SHALL BE AS SHOWN ON POLE IDENTIFICATION FOR ROSEMONT POLE DETAIL.

UNDERPASS LUMINAIRE MOUNTING DETAIL
N.T.S.



NIGHT TIME UNDERPASS FIXTURES

TYPE	ALT	MANUFACTURER	MODEL NUMBER
C	1	WIDELITE	TU18S-70-F-240-TGR
C	2	LUMEC	VLM-70HPS-SYM-WMH-240-M40-CHR-GREY

DAY TIME UNDERPASS FIXTURES

TYPE	ALT	MANUFACTURER	MODEL NUMBER
D	1	WIDELITE	TU18S-400-F-240-TGR
D	2	LUMEC	VLM-400HPS-SYM-WMH-240-M40-CHR-GREY