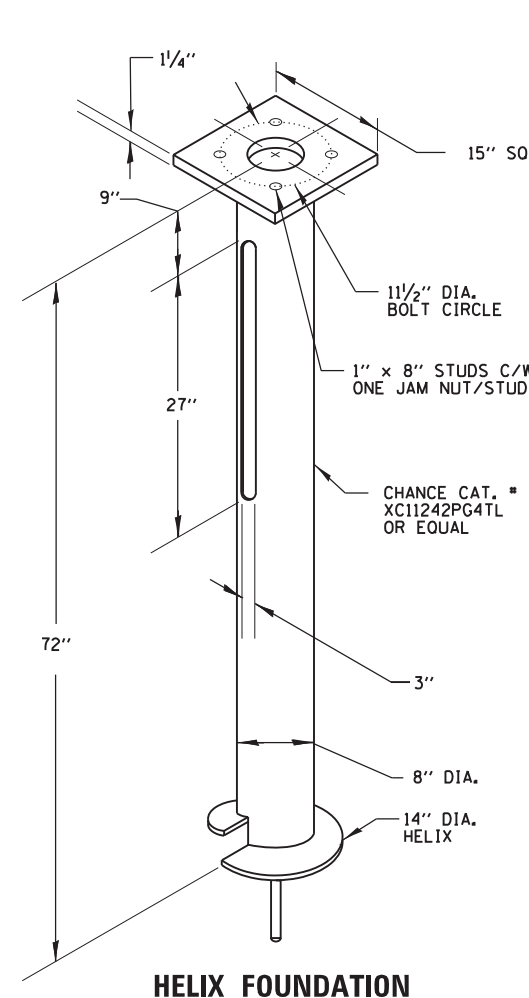


LUMINAIRE AND POLE SCHEDULE

LIGHT POLE OR FIXTURE ID	PROPOSED POLE / FIXTURE TYPE	SYMBOL	STATUS	PROP. STATION	MTG. CONFIG.	MTG. HEIGHT	ARM LENGTH	LUMINAIRE	OWNER	CONTROLLER NO.	CIRCUIT NO.
2B7	A	○	RELOCATED	33+43.0, 12.0' R	HELIX	17'-0"	12'	150W	ROSEMONT	2	B
2A8	A	○	RELOCATED	32+26.0, 29.4' L	HELIX	17'-0"	12'	150W	ROSEMONT	2	A
2B15	A	○	RELOCATED	76+36.5, 117.5' R	HELIX	17'-0"	12'	150W	ROSEMONT	2	B
3A1	A	●	NEW	22+60.0, 28.0' L	HELIX	17'-0"	12'	100W	ROSEMONT	3	A
3B2	A	●	NEW	23+50.0, 28.0' L	HELIX	17'-0"	12'	100W	ROSEMONT	3	B
3A3	A	●	NEW	24+60.0, 28.0' L	HELIX	17'-0"	12'	100W	ROSEMONT	3	A
3B4	A	●	NEW	25+70.0, 28.0' L	HELIX	17'-0"	12'	100W	ROSEMONT	3	B
3A5	A	●	NEW	26+80.0, 28.0' L	HELIX	17'-0"	12'	100W	ROSEMONT	3	A
3B6	A	●	NEW	27+90.0, 28.0' L	HELIX	17'-0"	12'	100W	ROSEMONT	3	B
3A7	A	●	NEW	29+00.0, 28.0' L	HELIX	17'-0"	12'	100W	ROSEMONT	3	A
3B8	A	●	NEW	30+10.0, 28.0' L	HELIX	17'-0"	12'	100W	ROSEMONT	3	B
3A9	A	●	NEW	31+20.0, 28.0' L	HELIX	17'-0"	12'	100W	ROSEMONT	3	A
3B10	A	●	NEW	32+15.0, 28.0' L	HELIX	17'-0"	12'	100W	ROSEMONT	3	B
3C11	E	■	NEW	20+17.0, 25.5' R	RT. WALL MTD.	14'-0"	N/A	70W	ROSEMONT	3	C
3D12	E	■	NEW	19+82.9, 13.5' R	RT. WALL MTD.	14'-0"	N/A	70W	ROSEMONT	3	D
3C13	E	■	NEW	19+46.1, 7.0' R	RT. WALL MTD.	14'-0"	N/A	70W	ROSEMONT	3	C
3D14	E	■	NEW	19+07.7, 6.0' R	RT. WALL MTD.	14'-0"	N/A	70W	ROSEMONT	3	D
3C15	E	■	NEW	18+68.7, 6.0' R	RT. WALL MTD.	14'-0"	N/A	70W	ROSEMONT	3	C
3D16	E	■	NEW	18+29.7, 6.0' R	RT. WALL MTD.	14'-0"	N/A	70W	ROSEMONT	3	D
3C17	E	■	NEW	17+90.7, 6.0' R	RT. WALL MTD.	14'-0"	N/A	70W	ROSEMONT	3	C
3D18	B	●	NEW	17+50.7, 10.9' R	HELIX	15'-0"	12'	100W	ROSEMONT	3	D
3C19	B	●	NEW	16+95.7, 10.9' R	HELIX	15'-0"	12'	100W	ROSEMONT	3	C
3D20	B	●	NEW	16+30.7, 10.9' R	HELIX	15'-0"	12'	100W	ROSEMONT	3	D
3C21	B	●	NEW	15+60.7, 10.9' R	HELIX	15'-0"	12'	100W	ROSEMONT	3	C
3D22	B	●	NEW	14+20.6, 12.6' R	HELIX	15'-0"	12'	100W	ROSEMONT	3	D
3E1	C	■	NEW	22+26.6, 16.0' L	CEILING MTD.	15'-0"	N/A	70W	ROSEMONT	3	E
3F1	C	■	NEW	22+00.5, 16.0' L	CEILING MTD.	15'-0"	N/A	70W	ROSEMONT	3	F
3E2	C	■	NEW	21+72.5, 16.0' L	CEILING MTD.	15'-0"	N/A	70W	ROSEMONT	3	E
3F2	C	■	NEW	21+40.5, 16.0' L	CEILING MTD.	15'-0"	N/A	70W	ROSEMONT	3	F
3E3	C	■	NEW	21+11.3, 16.0' L	CEILING MTD.	15'-0"	N/A	70W	ROSEMONT	3	E
3F3	C	■	NEW	20+74.9, 16.0' L	CEILING MTD.	15'-0"	N/A	70W	ROSEMONT	3	F
3E4	C	■	NEW	20+43.4, 16.0' L	CEILING MTD.	15'-0"	N/A	70W	ROSEMONT	3	E
3G1	D	□	NEW	22+33.9, 12.0' L	CEILING MTD.	15'-0"	N/A	400W	ROSEMONT	3	G
3H1	D	□	NEW	22+35.2, 4.0' L	CEILING MTD.	15'-0"	N/A	400W	ROSEMONT	3	H
3G2	D	□	NEW	22+23.8, 4.0' L	CEILING MTD.	15'-0"	N/A	400W	ROSEMONT	3	G
3H2	D	□	NEW	22+21.6, 12.0' L	CEILING MTD.	15'-0"	N/A	400W	ROSEMONT	3	H
3G3	D	□	NEW	22+12.7, 12.0' L	CEILING MTD.	15'-0"	N/A	400W	ROSEMONT	3	G
3H3	D	□	NEW	22+12.7, 4.0' L	CEILING MTD.	15'-0"	N/A	400W	ROSEMONT	3	H
3G4	D	□	NEW	21+97.0, 4.0' L	CEILING MTD.	15'-0"	N/A	400W	ROSEMONT	3	G
3H4	D	□	NEW	22+01.3, 12.0' L	CEILING MTD.	15'-0"	N/A	400W	ROSEMONT	3	H
3G5	D	□	NEW	21+86.5, 12.0' L	CEILING MTD.	15'-0"	N/A	400W	ROSEMONT	3	G
3H5	D	□	NEW	21+81.6, 4.0' L	CEILING MTD.	15'-0"	N/A	400W	ROSEMONT	3	H
3G6	D	□	NEW	21+67.2, 4.0' L	CEILING MTD.	15'-0"	N/A	400W	ROSEMONT	3	G
3H6	D	□	NEW	21+73.7, 12.0' L	CEILING MTD.	15'-0"	N/A	400W	ROSEMONT	3	H
3G7	D	□	NEW	21+58.4, 12.0' L	CEILING MTD.	15'-0"	N/A	400W	ROSEMONT	3	G
3H7	D	□	NEW	21+52.3, 4.0' L	CEILING MTD.	15'-0"	N/A	400W	ROSEMONT	3	H
3G8	D	□	NEW	21+36.8, 4.0' L	CEILING MTD.	15'-0"	N/A	400W	ROSEMONT	3	G
3H8	D	□	NEW	21+43.1, 12.0' L	CEILING MTD.	15'-0"	N/A	400W	ROSEMONT	3	H
3G9	D	□	NEW	21+25.4, 12.0' L	CEILING MTD.	15'-0"	N/A	400W	ROSEMONT	3	G
3H9	D	□	NEW	21+21.6, 4.0' L	CEILING MTD.	15'-0"	N/A	400W	ROSEMONT	3	H
3G10	D	□	NEW	21+05.5, 4.0' L	CEILING MTD.	15'-0"	N/A	400W	ROSEMONT	3	G
3H10	D	□	NEW	21+08.2, 12.0' L	CEILING MTD.	15'-0"	N/A	400W	ROSEMONT	3	H
3G11	D	□	NEW	20+94.4, 12.0' L	CEILING MTD.	15'-0"	N/A	400W	ROSEMONT	3	G
3H11	D	□	NEW	20+90.9, 4.0' L	CEILING MTD.	15'-0"	N/A	400W	ROSEMONT	3	H
3G12	D	□	NEW	20+78.6, 4.0' L	CEILING MTD.	15'-0"	N/A	400W	ROSEMONT	3	G
3H12	D	□	NEW	20+80.6, 12.0' L	CEILING MTD.	15'-0"	N/A	400W	ROSEMONT	3	H
3G13	D	□	NEW	20+65.7, 12.0' L	CEILING MTD.	15'-0"	N/A	400W	ROSEMONT	3	G
3H13	D	□	NEW	20+64.7, 4.0' L	CEILING MTD.	15'-0"	N/A	400W	ROSEMONT	3	H
3H14	D	□	NEW	20+50.4, 12.0' L	CEILING MTD.	15'-0"	N/A	400W	ROSEMONT	3	H

JUNCTION BOX SCHEDULE

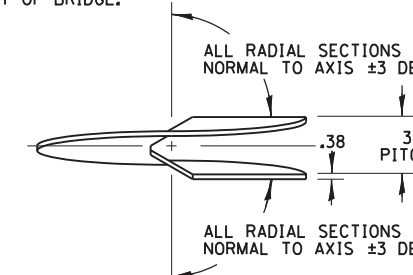
IDENTIFIER	SYMBOL	STATUS	SIZE	MTG. CONFIG.	MATERIAL
JB1 & JB8	J	NEW	12" x 12" x 8"	BRIDGE ABUT. WALL	STAINLESS STEEL
JB2 THRU JB7	J	NEW	12" x 12" x 8"	CEILING MTD.	STAINLESS STEEL
JB9 THRU JB16	J	NEW	8" x 8" x 6"	EMB. IN RET. WALL	STAINLESS STEEL



- NOTES:
- FINISH: HOT DIP GALVANIZED PER ASTM-A123 (LATEST REVISION).
 - BASEPLATE TO BE PERPENDICULAR TO SHAFT AXIS (± 1 DEG) AND HOLE CENTERLINE CONCENTRIC ($\pm .188$) TO SHAFT AXIS.
 - STENCIL MIN $\frac{1}{8}$ IN. LETTERS MANUFACTURER'S NUMBER AFTER GALVANIZING.
 - PILOT POINT AND SHAFT AXES TO BE CONCENTRIC (± 125 FIM) AND IN LINE (± 2 DEG).
 - FLAME CUT SLOT PERPENDICULAR TO THE BASEPLATE.
 - PREHEAT, TUMBLEBLAST, HANDGRIND, AND CLEAN BASEPLATE, HELIX, AND PILOT POINT ON ALL WELDED AREAS.
 - FLAMECUT IRREGULARITIES PERMISSIBLE: (1) VALLEYS NOT TO EXCEED $\frac{1}{32}$ IN. BELOW NOMINAL SURFACE LEVEL, (2) PEAKS OR POSITIVE IRREGULARITIES NOT TO EXCEED $\frac{1}{32}$ IN. ABOVE NOMINAL SURFACE LEVEL OR INTERSECTIONS OF NOMINAL SURFACES.
 - MANUFACTURER TO HAVE IN EFFECT INDUSTRY RECOGNIZED WRITTEN QUALITY CONTROL FOR ALL MATERIALS AND MANUFACTURING PROCESSES.
 - ALL MATERIAL IS TO BE NEW, UNUSED AND MILL TRACEABLE MEETING THE FOLLOWING SPECIFICATIONS:

- BASEPLATE: ASTM A36-(LATEST REVISION) HOT ROLLED STEEL PLATE, (CONFORM TO AASHTO TECH. BUL. #270)
- SHAFT: STEEL PIPE PILES, SEAMLESS OR STRAIGHT WELDED. GRADE-2 PER ASTM A252, ALT. MATERIAL: STEEL PIPE TYPE E OR S, GRADE-B PER ASTM A53.
- HELIX: ASTM A635 (LATEST REVISION) HOT ROLLED STEEL.
- PILOT POINT: ASTM A575 (LATEST REVISION) STEEL BAR.
- BOLTS: HEX HEAD MACHINE BOLTS PER ANSI B-18.2.1. SAE J429 GRADE-5.

- BASEPLATE IS PERMANENTLY STAMPED WITH MANUFACTURER'S IDENTIFICATION "ABC" IN $\frac{1}{2}$ " LETTERS AND DATE CODE IN $\frac{1}{4}$ " LETTERS.
- HELIX BASES SHALL NOT BE USED FOR STANDARDS ATTACHED TO PARAPET OF BRIDGE.



HELIX FOUNDATION

HELIX SIDE VIEW

METAL FOUNDATION DETAILS

N.T.S.