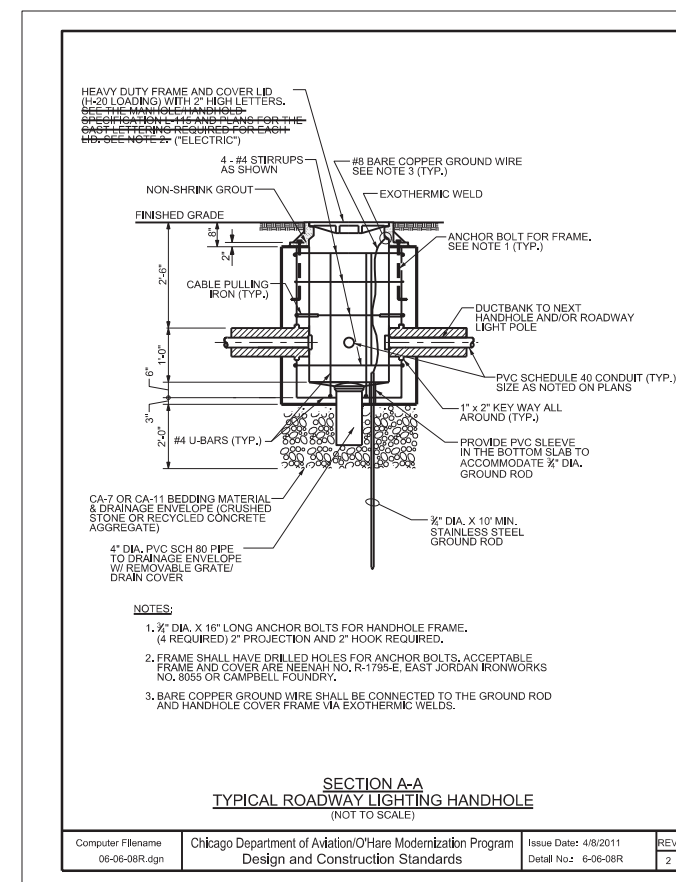
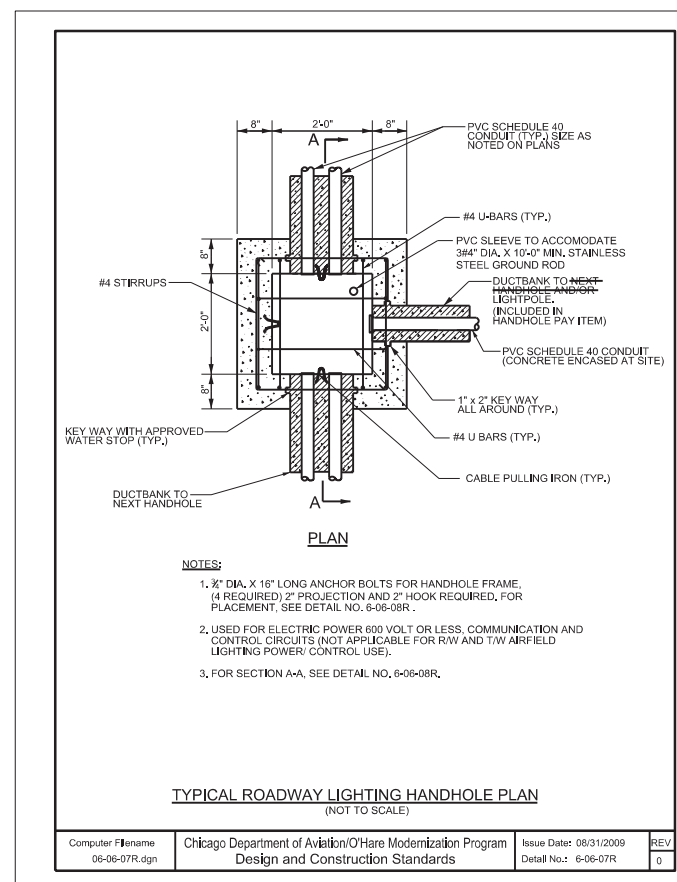


THIS CONDUIT DUCTBANK IS FOR SPINE ROAD LIGHTING AND SHALL BE PAID FOR UNDER "CONDUIT ENCASED, CONCRETE, 2" DIA., PVC 2 WIDE x 1 HIGH".



THIS HANDHOLE IS FOR SPINE ROAD LIGHTING AND SHALL BE PAID FOR UNDER "HANDHOLE, PORTLAND CEMENT CONCRETE (SPECIAL)".