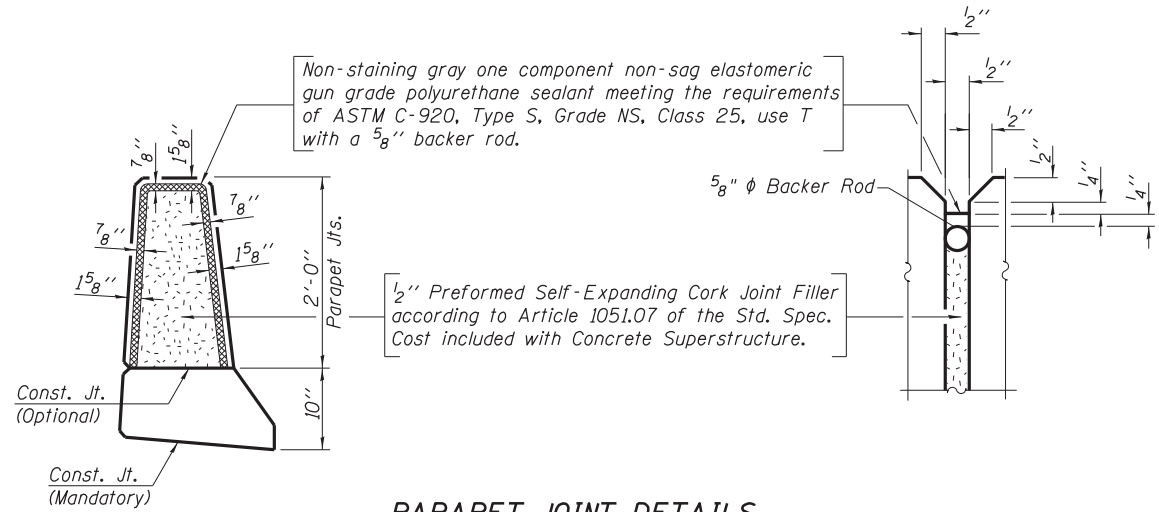


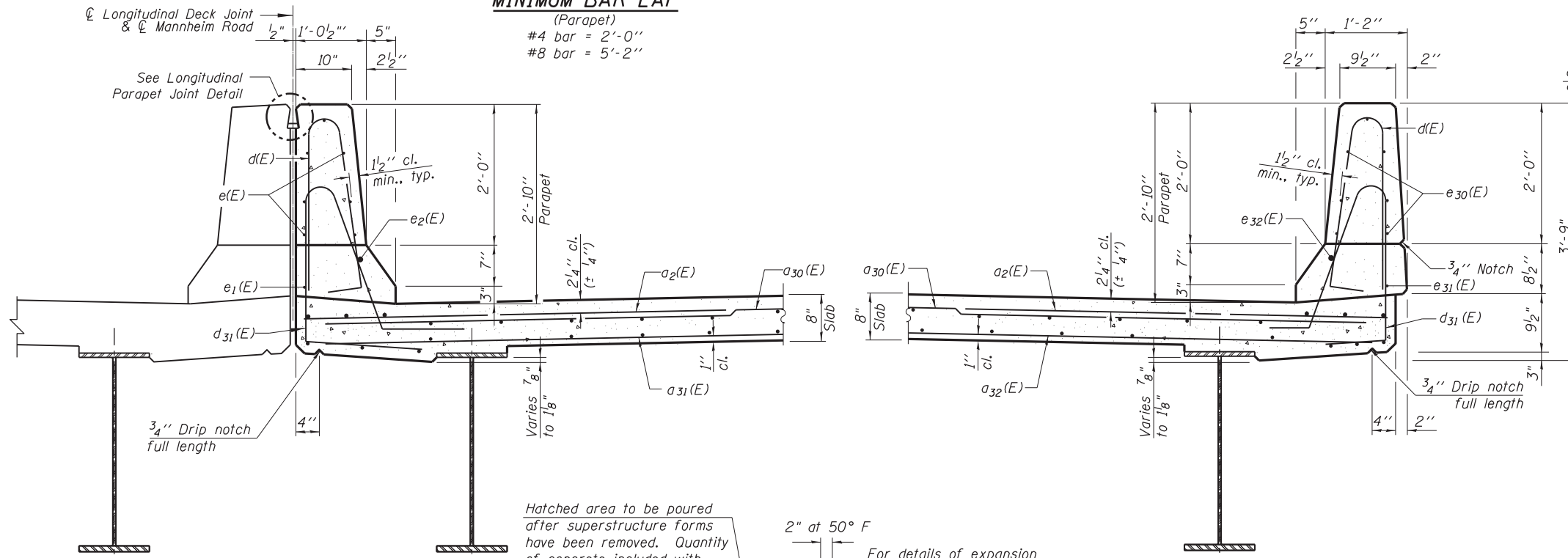
INSIDE ELEVATION OF PARAPET



PARAPET JOINT DETAILS

MINIMUM BAR LAP

(Parapet)
 #4 bar = 2'-0"
 #8 bar = 5'-2"

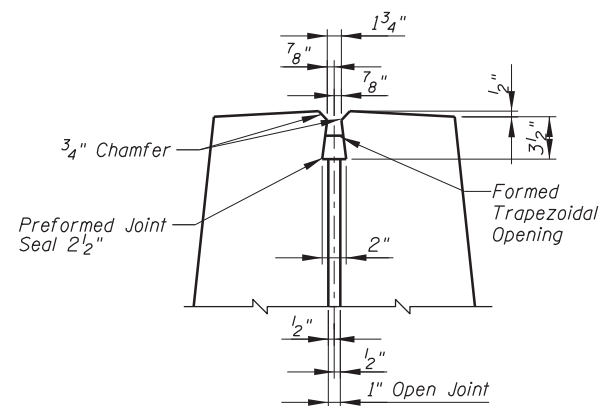


SECTION THRU W. PARAPET

(Looking North)

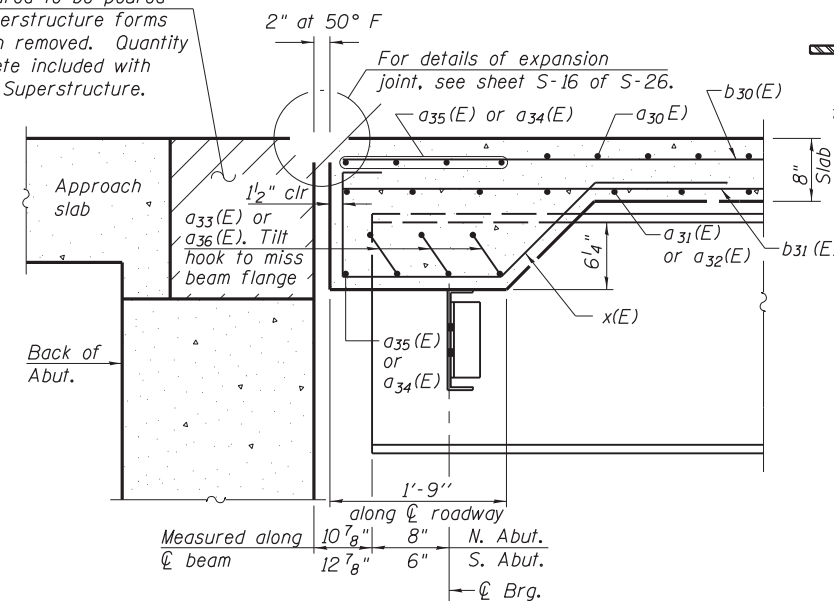
SECTION THRU EAST PARAPET

(Looking North)

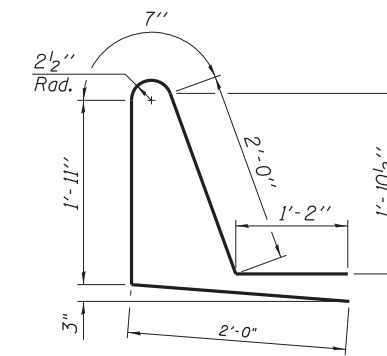


LONGITUDINAL PARAPET JOINT DETAIL

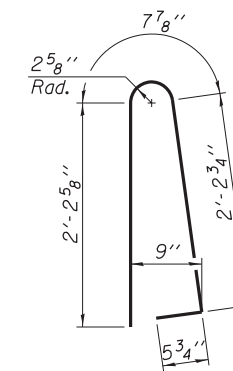
2 1/2" Preformed Joint Seal Shall Be Installed at Stage II Construction.



SECTION A-A



BAR d31(E)



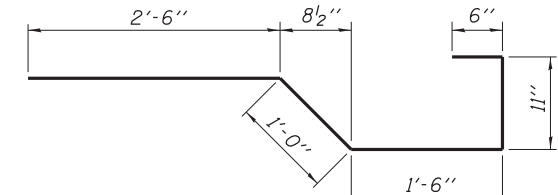
BAR d(E)

a33(E) & a36(E) BAR

SUPERSTRUCTURE BILL OF MATERIAL

Bar	No.	Size	Length	Shape
a2(E)	490	#6	6'-6"	—
a30(E)	695	#5	32'-0"	—
a31(E)	318	#5	37'-8"	—
a32(E)	152	#5	19'-6"	—
a33(E)	60	#6	10'-5"	—
a34(E)	16	#6	37'-6"	—
a35(E)	20	#6	31'-4"	—
a36(E)	6	#6	5'-10"	—
b30(E)	376	#5	32'-3"	—
b31(E)	415	#5	26'-9"	—
d(E)	256	#5	5'-7"	—
d31(E)	256	#5	7'-8"	—
e(E)	42	#4	19'-7"	—
e1(E)	4	#4	31'-6"	—
e2(E)	4	#8	33'-10"	—
e30(E)	42	#4	18'-8"	—
e31(E)	4	#4	30'-0"	—
e32(E)	4	#8	32'-5"	—
x(E)	176	#5	6'-5"	—
Reinforcement Bars, Epoxy Coated		Lbs.	77,290	
Concrete Superstructure		Cu. Yds.	292.9	

Bars indicated thus 1 x 4-#8 etc. indicates 1 lines of bars with 4 lengths per line.



BAR x(E)

N:\ROSEMONT\11005\CADD_Sheets\0167943-0168037-011_Super.dgn

CHRISTOPHER B. BURKE ENGINEERING, LTD.
 8375 W. Higgins Road, Suite 600
 Rosemont, Illinois 60018
 (847) 924-6500

USER NAME =	DESIGNED - MM	REVISED
PLOT SCALE =	CHECKED - JMB	REVISED
PLOT DATE	DRAWN - PDR	REVISED
	CHECKED - MM	REVISED

STATE OF ILLINOIS
 DEPARTMENT OF TRANSPORTATION

SUPERSTRUCTURE DETAILS
 NB MANNHEIM ROAD BRIDGE - STRUCTURE NO. 016-7943

SHEET NO. S-11 OF S-26 SHEETS

F.A. RTE.	SECTION	COUNTY	TOTAL SHEETS	SHEET NO.
330	0105 WRS&HB	COOK	605	347
CONTRACT NO. 60G37			ILLINOIS FED. AID PROJECT	