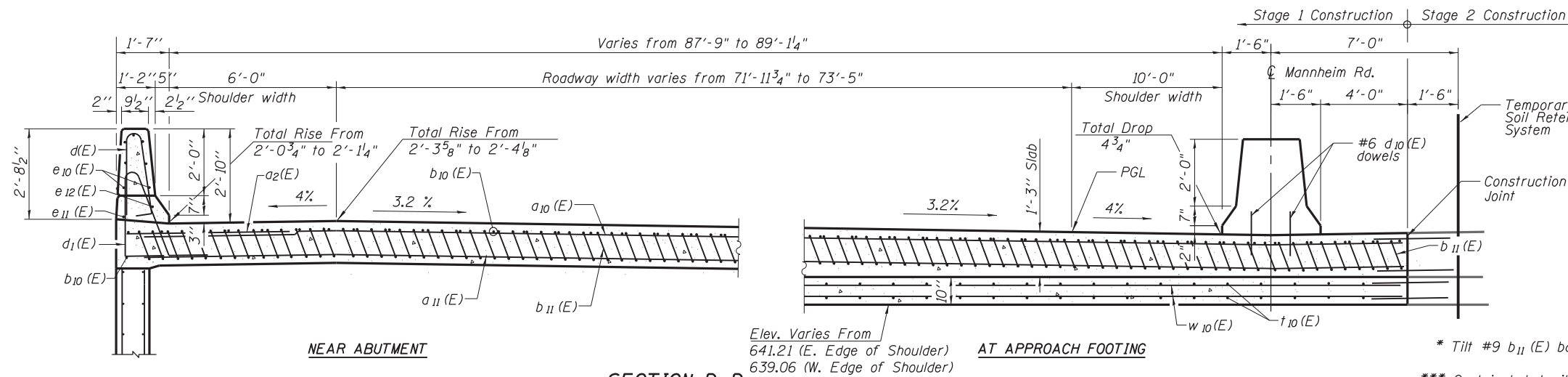
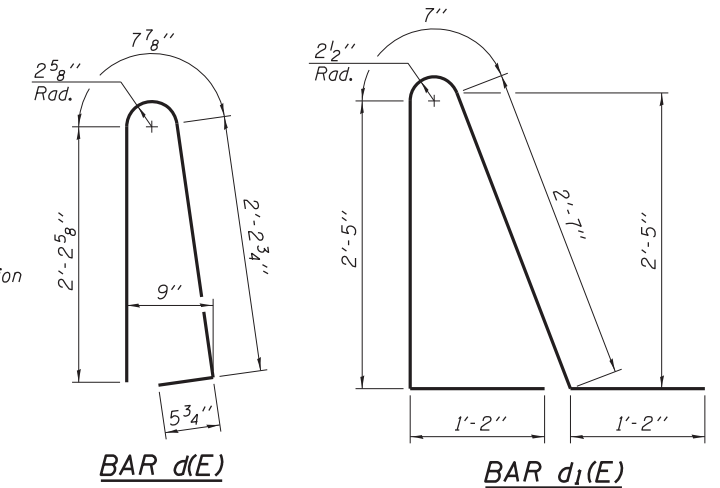


Notes:

Approach slab and parapet concrete shall be paid for as Concrete Superstructure.
 Approach footing concrete shall be paid for as Concrete Structures.
 Reinforcement shall be paid for as Reinforcement Bars, Epoxy Coated.
 For v(E) bar details, see sheet S-21 and S-23 of S-26.
 The approach footing maximum applied service bearing pressure (Qmax) = 2.0 ksf.
 For bar splicer details, see sheet S-24 of S-26.
 Cost of excavation for approach footing included with Concrete Structures.
 For Porous Granular Backfill and drainage treatment details, see sheet S-2 of S-26.



SECTION D-D

(See Plan for dimensions not shown)

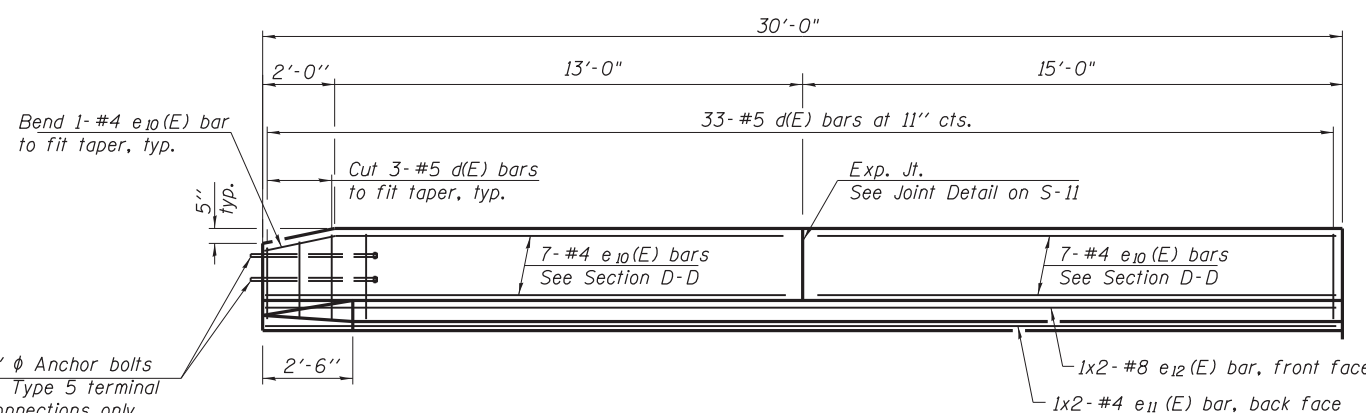
* Tilt #9 b₁₁(E) bars as required to maintain clearance.

*** Cost included with Concrete Superstructure.

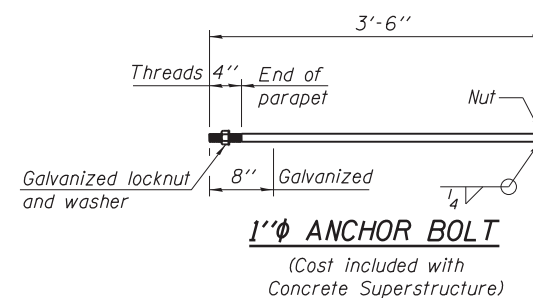
NORTH APPROACH
BILL OF MATERIAL

Bar	No.	Size	Length	Shape
a ₂ (E)	24	#6	6'-6"	—
a ₁₀ (E)	125	#4	26'-6"	—
a ₁₁ (E)	230	#5	26'-9"	—
b ₁₀ (E)	79	#4	29'-8"	—
b ₁₁ (E)	235	#9	29'-9"	—
d(E)	33	#5	5'-7"	⌒
d ₁ (E)	33	#5	7'-11"	⌒
d ₂ (E)	3	#6	4'-5"	⌒
d ₃ (E)	5	#6	8'-11"	⌒
d ₁₀ (E)	24	#6	1'-0"	—
e ₁₀ (E)	14	#4	14'-8"	—
e ₁₁ (E)	2	#4	16'-0"	—
e ₁₂ (E)	2	#8	17'-7"	—
t ₁₀ (E)	194	#4	12'-4"	—
w ₁₀ (E)	200	#5	26'-9"	—
Concrete Superstructure		Cu. Yd.	160.1	
Concrete Structures		Cu. Yd.	36.9	
Reinforcement Bars, Epoxy Coated		Pound	42,220	

** Epoxy grout #6 d₁₀(E) bars in 6" drilled holes according to Section 584 of the Standard Specifications.

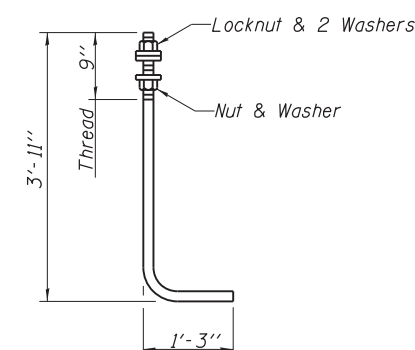


VIEW E-E



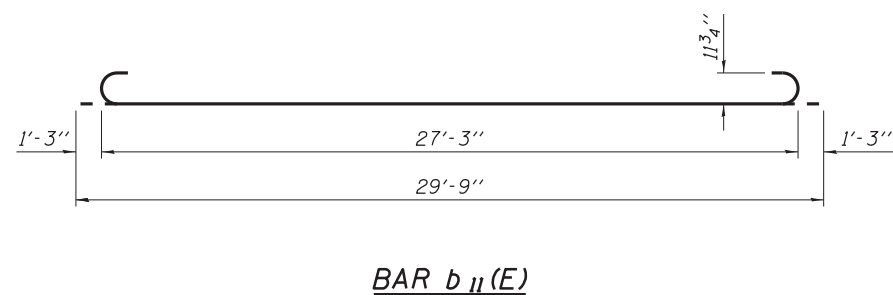
1" ANCHOR BOLT

(Cost included with Concrete Superstructure)



ANCHOR ROD

Diameter as specified for light poles.
 (ASTM F 1554 Grade 105) Full Length
 Hot Dipped Galvanized



BAR b₁₁(E)

BAR d₂(E)

BAR d₃(E)

N:\ROSEMONT\11000\CADD_Sheets\0167943-D160C37-013.Appr-slabs.dgn
 CHRISTOPHER B. BURKE ENGINEERING, LTD.
 8575 W. Higgins Road, Suite 600
 Rosemont, Illinois 60018
 (847) 924-6500

USER NAME =	DESIGNED - MM	REVIS
PLOT SCALE =	CHECKED - JMB	REVIS
PLOT DATE	DRAWN - PDR	REVIS
	CHECKED - MM	REVIS

STATE OF ILLINOIS
DEPARTMENT OF TRANSPORTATION

BRIDGE NORTH APPROACH SLAB DETAILS
NB MANNHEIM ROAD BRIDGE - STRUCTURE NO. 016-7943

SHEET NO. S-13 OF S-26 SHEETS

F.A. RTE.	SECTION	COUNTY	TOTAL SHEETS	SHEET NO.
330	0105 WRS&HB	COOK	605	349
			CONTRACT NO. 60G37	
ILLINOIS FED. AID PROJECT				