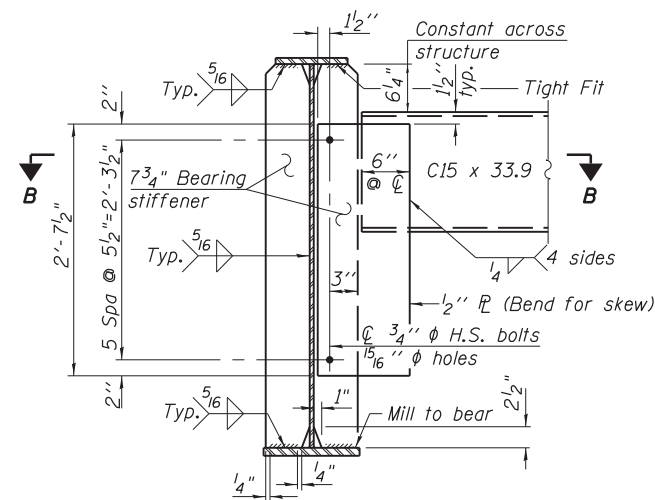
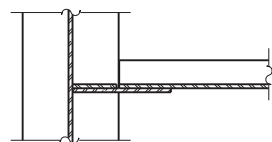


**SECTION B-B**

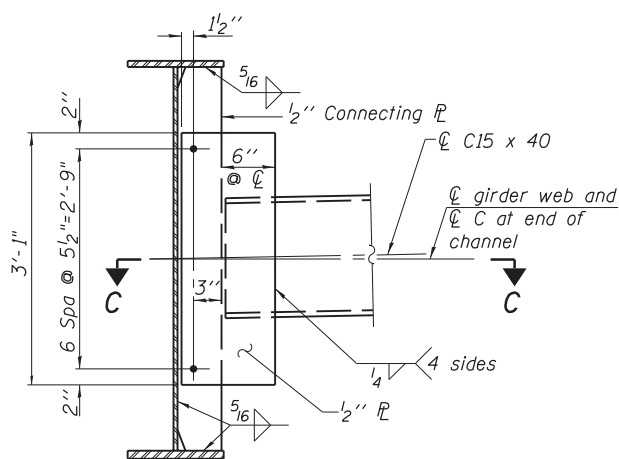


**END DIAPHRAGM D1, D3, D9, D10, D16**

Note: Two hardened washers required for each set of oversized holes.

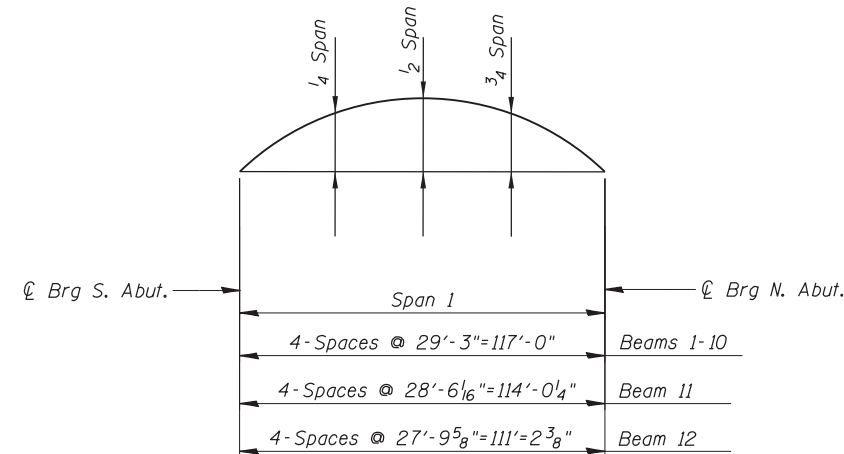


**SECTION C-C**



**INTERIOR DIAPHRAGM D2, D4-D8, & D11-D15**

Note:  
Two hardened washers required for each set of oversized holes.  
\* 3/4"  $\phi$  HS bolts, 1 5/16"  $\phi$  holes



**CAMBER DIAGRAM**

Beam	Span		
	1/4	1/2	3/4
1-10	4 5/8"	6 3/8"	4 5/8"
11	3 3/8"	4 3/4"	3 3/8"
12	2 7/8"	4"	2 7/8"

**TOP OF WEB ELEVATION FOR FABRICATION ONLY**

Beam	S. Abutment	N. Abutment
Beam 1	639.736	640.298
Beam 2	640.022	640.578
Beam 3	640.247	640.804
Beam 4	640.471	641.022
Beam 5	640.695	641.240
Beam 6	640.920	641.458
Beam 7	641.146	641.676
Beam 8	641.371	641.894
Beam 9	641.597	642.112
Beam 10	641.824	642.331
Beam 11	641.887	642.550
Beam 12	641.708	642.422

**NOTES:**

- All structure steel for Plate Girder and Bearing Stiffeners, shall be AASHTO M270 Grade 50.
- Load carrying components designated "NTR" shall conform to the Impact Testing Requirement, Zone 2.
- Clip all cross frame connection plates 1" horizontally and 2 1/2" vertically at web to flange connection.
- All Bearing Stiffeners, and Cross Frame Connection Plates Shall be perpendicular to the centerline of the plate girders.

**THIS SHEET IS FOR INFORMATION ONLY**

N:\ROSEMONT\11000\CADD\_Sheets\0167943-016\60637-018\_Framing.dgn

**CHRISTOPHER B. BURKE ENGINEERING, LTD.**  
8575 W. Higgins Road, Suite 600  
Rosemont, Illinois 60018  
(847) 924-6900

USER NAME =	DESIGNED - MM	REVISED
PLOT SCALE =	CHECKED - JMB	REVISED
PLOT DATE =	DRAWN - PDR	REVISED
	CHECKED - MM	REVISED

**STATE OF ILLINOIS  
DEPARTMENT OF TRANSPORTATION**

**DIAPHRAGM DETAILS  
NB MANNHEIM ROAD BRIDGE - STRUCTURE NO. 016-7943**

SHEET NO. 5-18 OF 5-26 SHEETS

F.A. RTE.	SECTION	COUNTY	TOTAL SHEETS	SHEET NO.
330	0105 WRS&HB	COOK	605	354
CONTRACT NO. 60G37				
ILLINOIS FED. AID PROJECT				