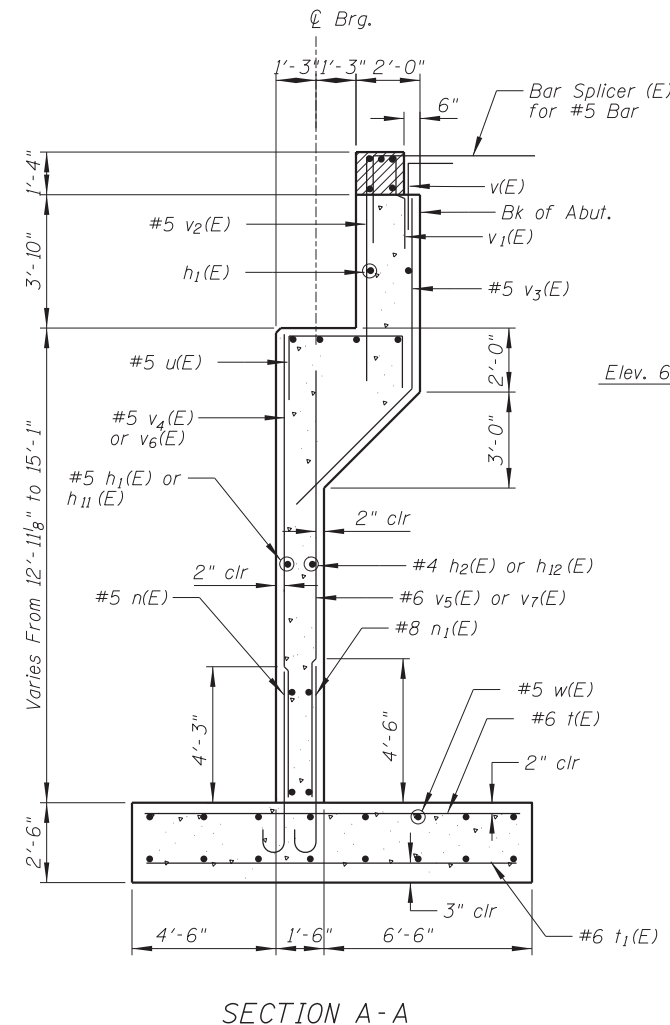
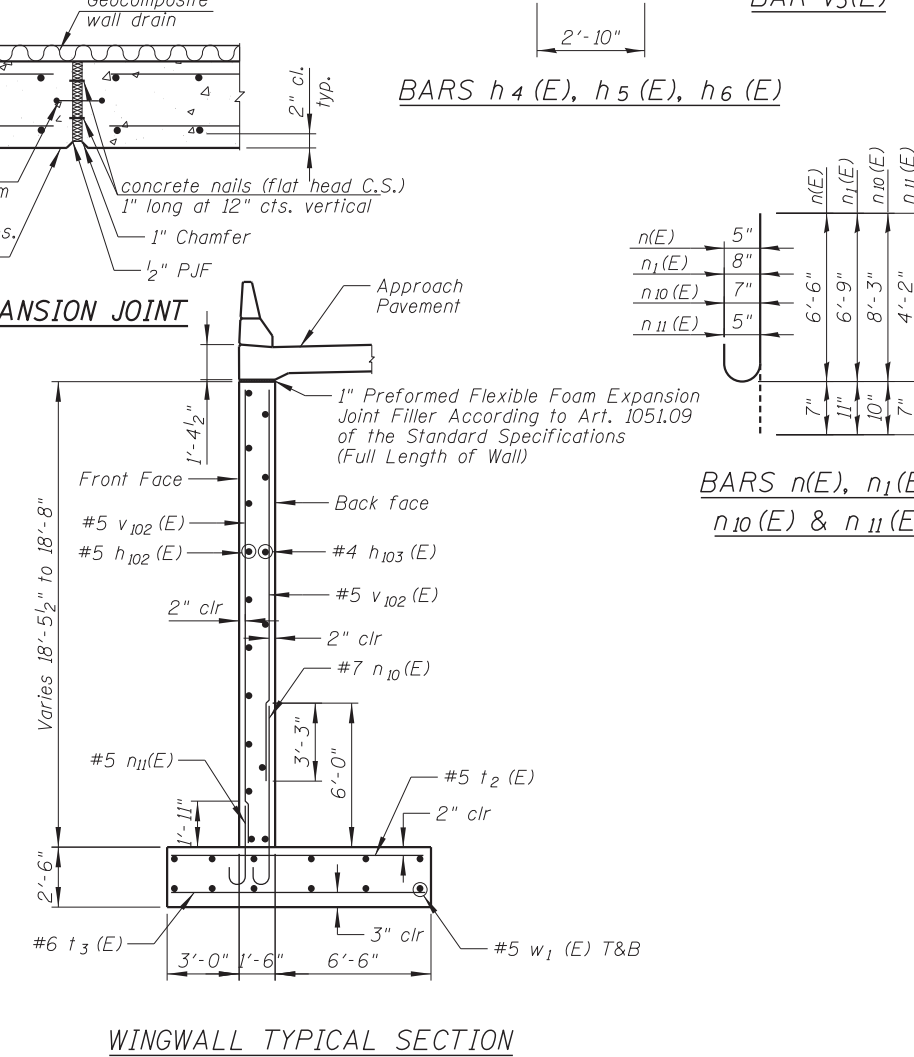
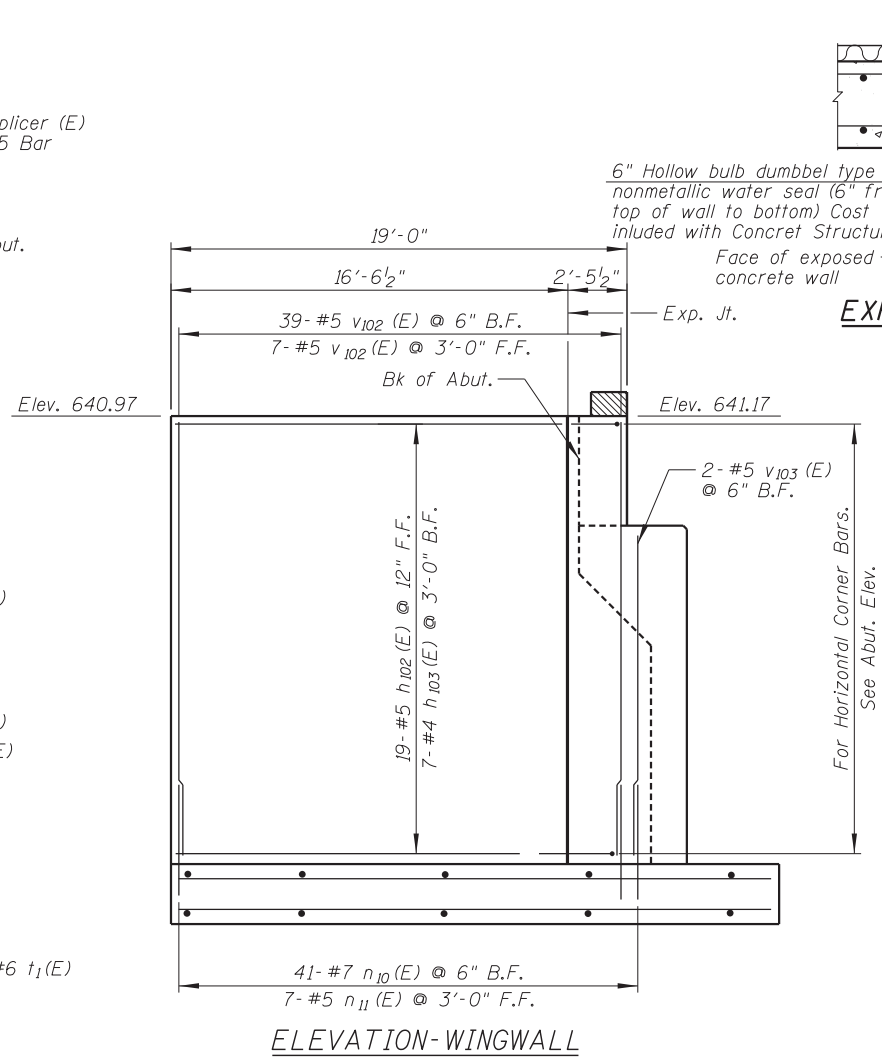
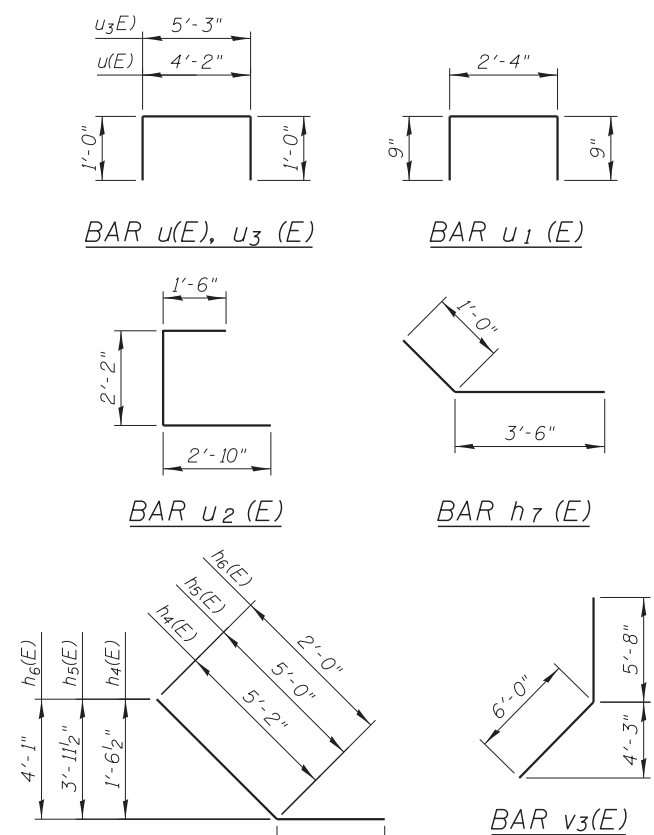
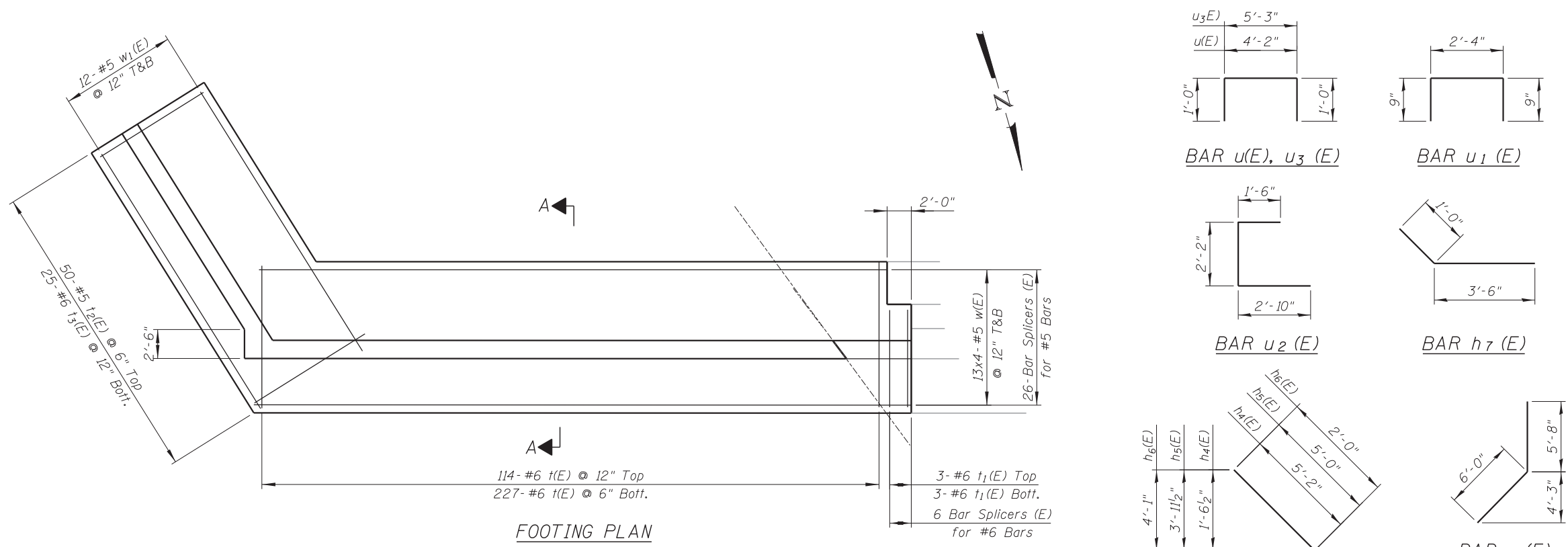


**SOUTH ABUTMENT
BILL OF MATERIAL**

Bar	No.	Size	Length	Shape
h (E)	20	#6	27'-9"	—
h ₁ (E)	52	#5	25'-5"	—
h ₂ (E)	10	#4	25'-5"	—
h ₃ (E)	2	#5	28'-0"	—
h ₄ (E)	15	#5	8'-0"	—
h ₅ (E)	15	#5	7'-10"	—
h ₆ (E)	4	#5	4'-10"	—
h ₇ (E)	4	#5	4'-6"	—
h ₁₁ (E)	50	#5	30'-10"	—
h ₁₂ (E)	10	#4	30'-10"	—
h ₁₃ (E)	2	#5	38'-9"	—
h ₁₄ (E)	2	#5	19'-0"	—
h ₂₀ (E)	5	#6	8'-0"	—
h ₂₁ (E)	8	#5	7'-0"	—
h ₂₂ (E)	17	#5	5'-0"	—
h ₂₃ (E)	5	#4	6'-2"	—
h ₁₀₂ (E)	19	#5	16'-2"	—
h ₁₀₃ (E)	7	#4	16'-2"	—
n (E)	40	#5	7'-1"	—
n ₁ (E)	227	#8	7'-8"	—
n ₁₀ (E)	41	#7	9'-1"	—
n ₁₁ (E)	7	#5	4'-9"	—
t (E)	341	#6	12'-2"	—
t ₁ (E)	6	#6	8'-8"	—
t ₂ (E)	50	#5	10'-8"	—
t ₃ (E)	25	#6	10'-8"	—
u (E)	71	#5	6'-2"	—
u ₁ (E)	60	#5	3'-8"	—
u ₂ (E)	15	#5	6'-6"	—
u ₃ (E)	4	#5	7'-3"	—
v (E)	117	#5	3'-10"	—
v ₁ (E)	117	#4	3'-0"	—
v ₂ (E)	116	#5	6'-2"	—
v ₃ (E)	117	#5	11'-8"	—
v ₄ (E)	17	#5	14'-2"	—
v ₅ (E)	97	#6	14'-2"	—
v ₆ (E)	23	#5	12'-9"	—
v ₇ (E)	130	#6	12'-9"	—
v ₁₀₂ (E)	46	#5	18'-0"	—
v ₁₀₃ (E)	2	#5	14'-6"	—
w (E)	104	#5	30'-0"	—
w ₁ (E)	24	#5	24'-6"	—
Concrete Superstructure		Cu. Yd.	9.4	
Concrete Structures		Cu. Yd.	335.4	
Reinforcement Bars, Epoxy Coated		Pound	31,840	
Structure Excavation		Cu. Yd.	1,696	
Concrete Sealer		Sq. Ft.	718	
Removal and Disposal of Unsuitable Material for Structures		Cu. Yd.	182	

- NOTES:
- Bars indicated thus 1x2 - #5 etc. indicates 1 line of bars with 2 lengths per line.
 - Space reinforcement in cap to miss anchor bolts.
 - Pour steps monolithically with cap.
 - Hatched area to be poured after superstructure false work has been removed. Quality of concrete included in "Concrete Superstructure".
 - For Limits of Removal and Disposal of Unsuitable Material for Structures, See S-3 of S-26.



N:\ROSEMONT\11000\CADD_Sheets\0167943-D160337-021_SAbutment.dgn
 CHRISTOPHER B. BURKE ENGINEERING, LTD.
 9575 W. Higgins Road, Suite 600
 Rosemont, Illinois 60018
 (847) 924-2500

USER NAME =	DESIGNED - MM	REVISED
PLOT SCALE =	CHECKED - JMB	REVISED
PLOT DATE =	DRAWN - PDR	REVISED
	CHECKED - MM	REVISED

**STATE OF ILLINOIS
DEPARTMENT OF TRANSPORTATION**

**SOUTH ABUTMENT - FOOTING PLAN AND SECTION
NB MANNHEIM ROAD BRIDGE - STRUCTURE NO. 016-7943**

SHEET NO. S-21 OF S-26 SHEETS

F.A. RTE.	SECTION	COUNTY	TOTAL SHEETS	SHEET NO.
330	0105 WRS&HB	COOK	605	357
				CONTRACT NO. 60G37

ILLINOIS FED. AID PROJECT