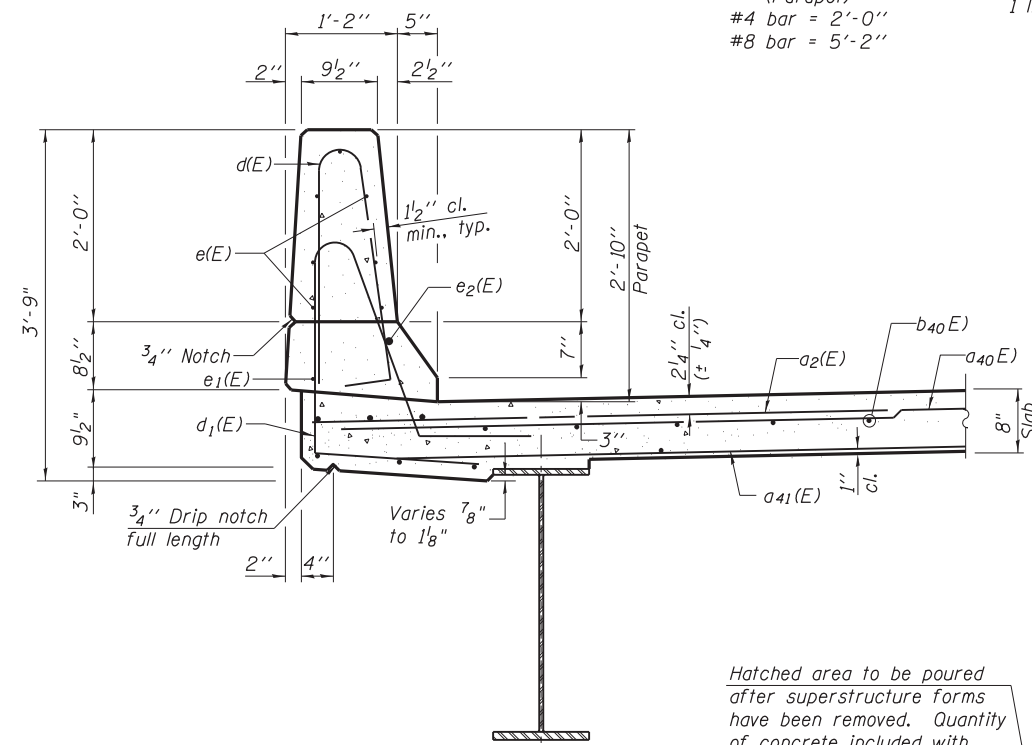


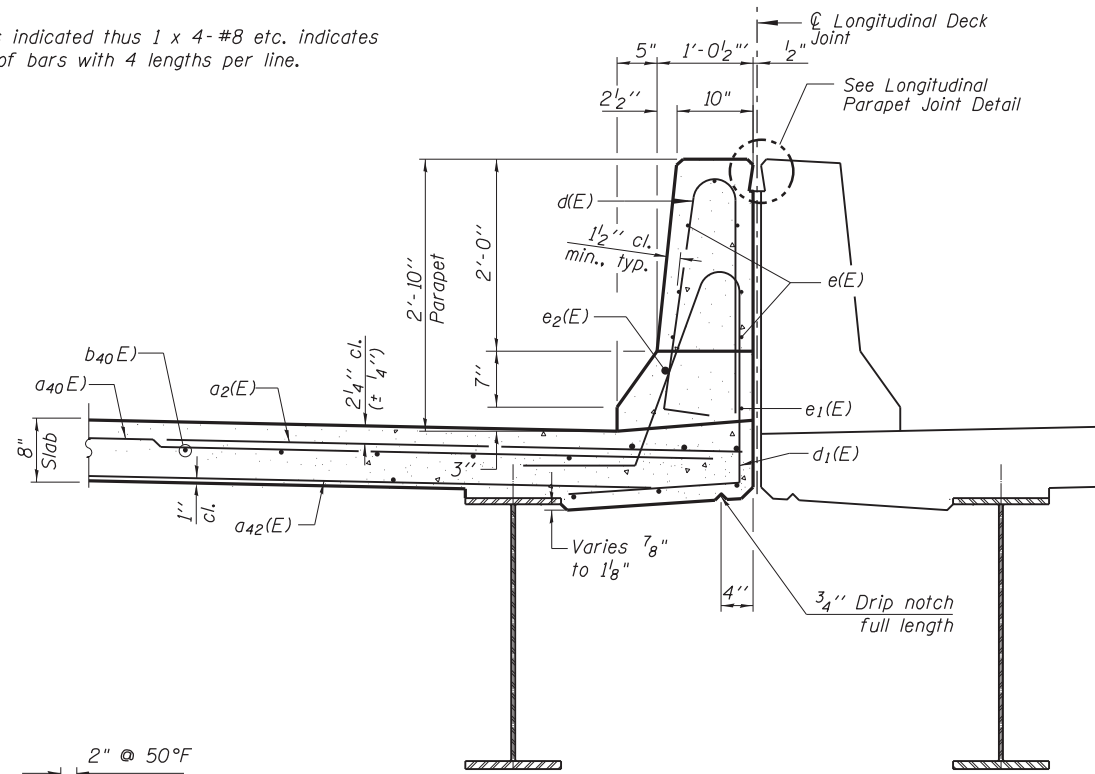
**INSIDE ELEVATION OF PARAPET**

**MINIMUM BAR LAP**  
(Parapet)  
#4 bar = 2'-0"  
#8 bar = 5'-2"

Note:  
Bars indicated thus 1 x 4-#8 etc. indicates  
1 line of bars with 4 lengths per line.

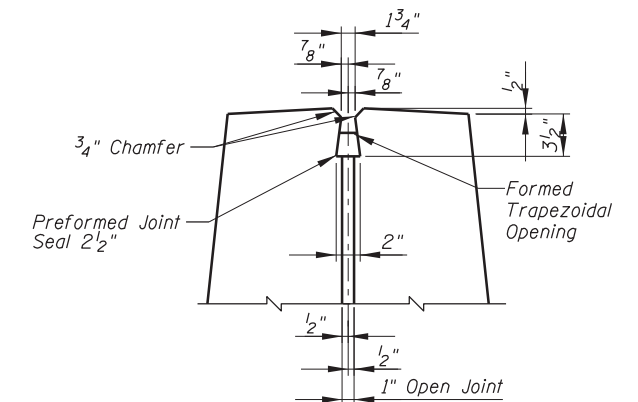


**SECTION THRU WEST PARAPET**



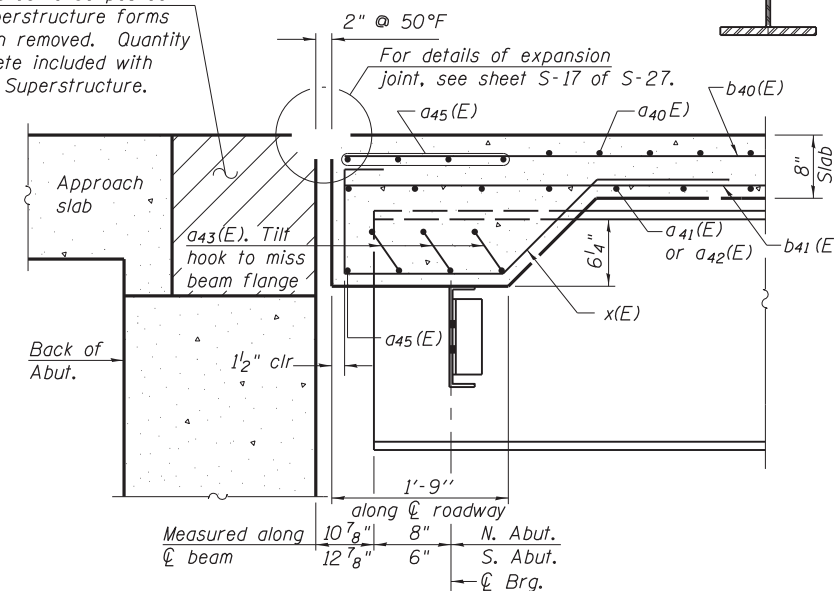
**SECTION THRU MEDIAN PARAPET**

**PARAPET JOINT DETAILS**



**LONGITUDINAL PARAPET JOINT DETAIL**

Hatched area to be poured  
after superstructure forms  
have been removed. Quantity  
of concrete included with  
Concrete Superstructure.



**SECTION A-A**

N:\ROSEMONT\11000\CADD\_Sheets\0167942-D1680337-011.Super.dgn

**CHRISTOPHER B. BURKE ENGINEERING, LTD.**  
8575 W. Higgins Road, Suite 600  
Rosemont, Illinois 60018  
(847) 924-8900

USER NAME =	DESIGNED - MM	REVISED
PLOT SCALE =	CHECKED - JMB	REVISED
PLOT DATE =	DRAWN - PDR	REVISED
	CHECKED - MM	REVISED

**STATE OF ILLINOIS  
DEPARTMENT OF TRANSPORTATION**

**SUPERSTRUCTURE DETAILS  
SB MANNHEIM ROAD BRIDGE - STRUCTURE NO. 016-7942**

SHEET NO. S-11 OF S-27 SHEETS

F.A. RTE.	SECTION	COUNTY	TOTAL SHEETS	SHEET NO.
330	0105 WRS&HB	COOK	605	373
CONTRACT NO. 60G37				
ILLINOIS FED. AID PROJECT				