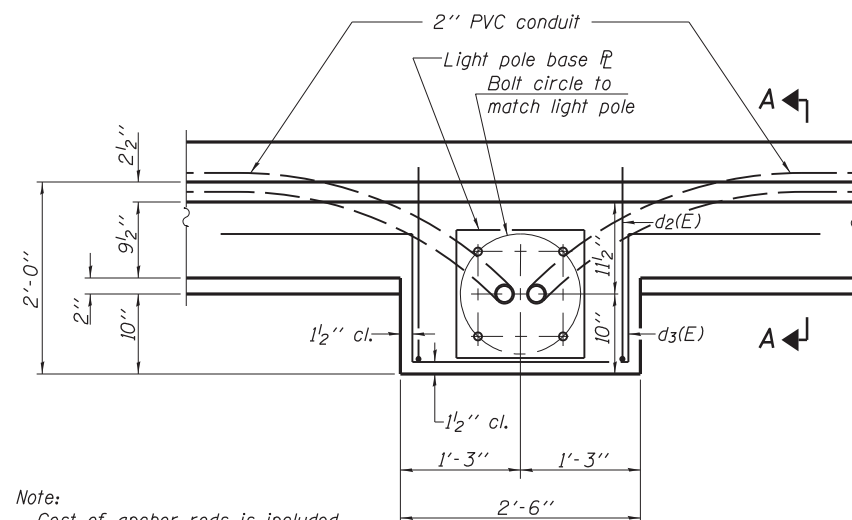


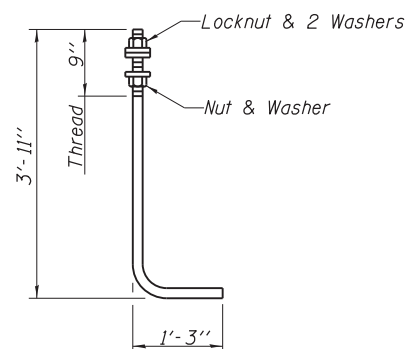
**SUPERSTRUCTURE
BILL OF MATERIAL**

Bar	No.	Size	Length	Shape
a ₂ (E)	524	#6	6'-6"	—
a ₄₀ (E)	524	#5	30'-10"	—
a ₄₁ (E)	160	#5	34'-11"	—
a ₄₂ (E)	160	#5	27'-3"	—
a ₄₃ (E)	42	#6	10'-9"	—
a ₄₅ (E)	30	#6	27'-4"	—
b ₄₀ (E)	310	#5	26'-7"	—
b ₄₁ (E)	220	#5	32'-5"	—
d(E)	262	#5	5'-7"	—
d ₁ (E)	262	#5	7'-0"	—
d ₂ (E)	3	#6	4'-5"	—
d ₃ (E)	5	#6	8'-11"	—
e(E)	84	#4	19'-7"	—
e ₁ (E)	8	#4	31'-6"	—
e ₂ (E)	8	#8	33'-10"	—
x(E)	108	#5	6'-5"	—
Reinforcement Bars, Epoxy Coated			Lbs.	56,520
Concrete Superstructure			Cu. Yds.	212.9



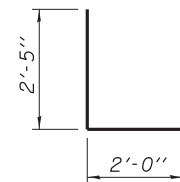
PLAN

Note:
Cost of anchor rods is included with Concrete Superstructure.

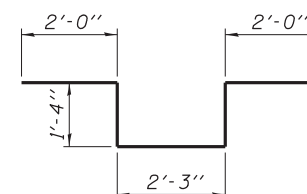


ANCHOR ROD

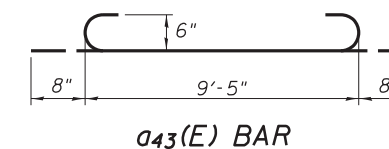
Diameter as specified for light poles. (ASTM F 1554 Grade 105) Full length Hot Dipped Galvanized.



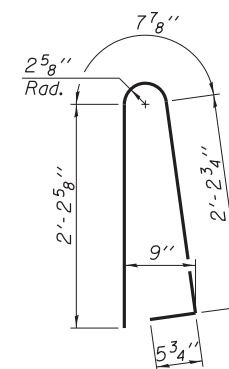
BAR d₂(E)



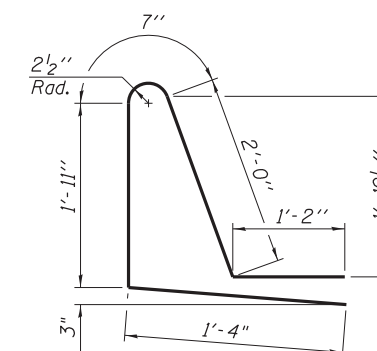
BAR d₃(E)



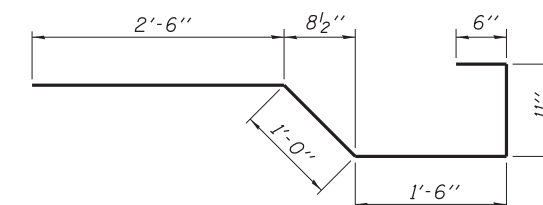
a₄₃(E) BAR



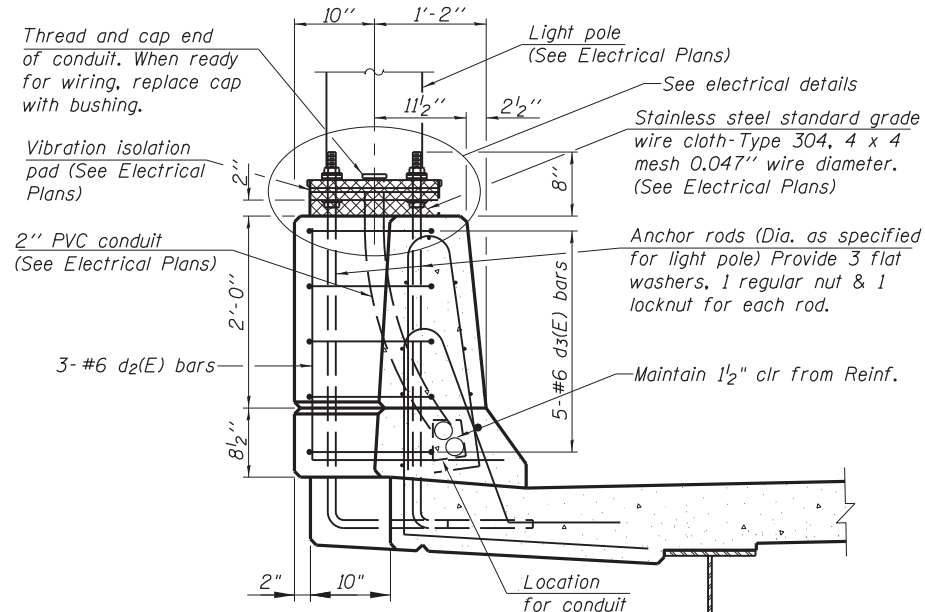
BAR d(E)



BAR d₁(E)



BAR x(E)



SECTION A-A

N:\ROSEMONT\11000\CADD_Sheets\0167942-D1660337-012_Super.dgn

CHRISTOPHER B. BURKE ENGINEERING, LTD.
8575 W. Higgins Road, Suite 600
Rosemont, Illinois 60018
(647) 924-8900

USER NAME =	DESIGNED - MM	REVISED
PLOT SCALE =	CHECKED - JMB	REVISED
PLOT DATE =	DRAWN - PDR	REVISED
	CHECKED - MM	REVISED

**STATE OF ILLINOIS
DEPARTMENT OF TRANSPORTATION**

**SUPERSTRUCTURE DETAILS
SB MANNHEIM ROAD BRIDGE - STRUCTURE NO. 016-7942**

SHEET NO. S-12 OF S-27 SHEETS

F.A. RTE.	SECTION	COUNTY	TOTAL SHEETS	SHEET NO.
330	0105 WRS&HB	COOK	605	374
				CONTRACT NO. 60G37
ILLINOIS FED. AID PROJECT				