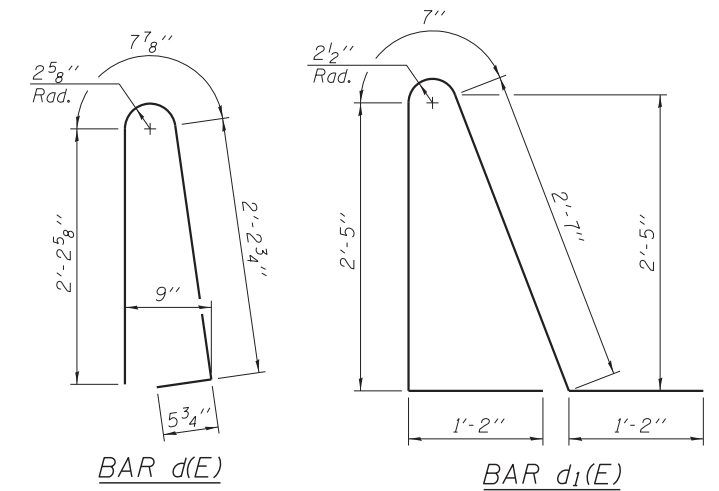
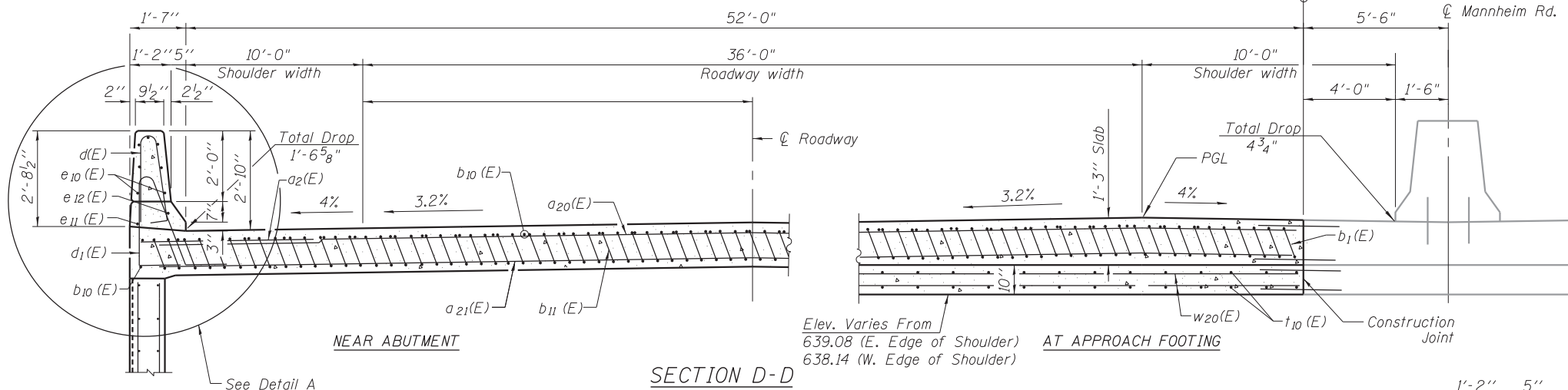


SECTION C-C

Notes:
 See sheet S-15 of S-27 for Detail A and View B-B.
 Approach slab and parapet concrete shall be paid for as Concrete Superstructure.
 Approach footing concrete shall be paid for as Concrete Structures.
 Reinforcement shall be paid for as Reinforcement Bars, Epoxy Coated.
 For v(E) bar details, see sheet S-22 and S-24 of S-27.
 The approach footing maximum applied service bearing pressure (Qmax) = 2.0 ksf.
 For bar splicer details, see sheet S-27 of S-27.
 Cost of excavation for approach footing included with Concrete Structures.
 For Porous Granular Backfill and drainage treatment details, see sheet S-2 of S-27.

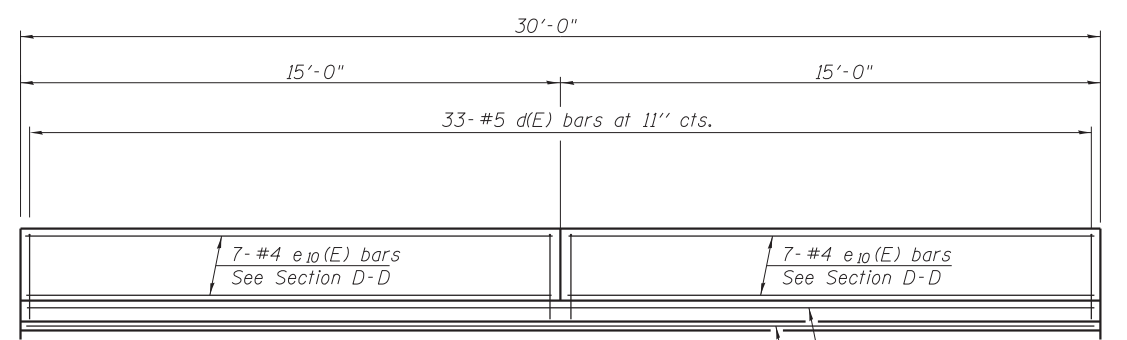


* Tilt #9 b11(E) bars as required to maintain clearance.
 *** Cost included with Concrete Superstructure.



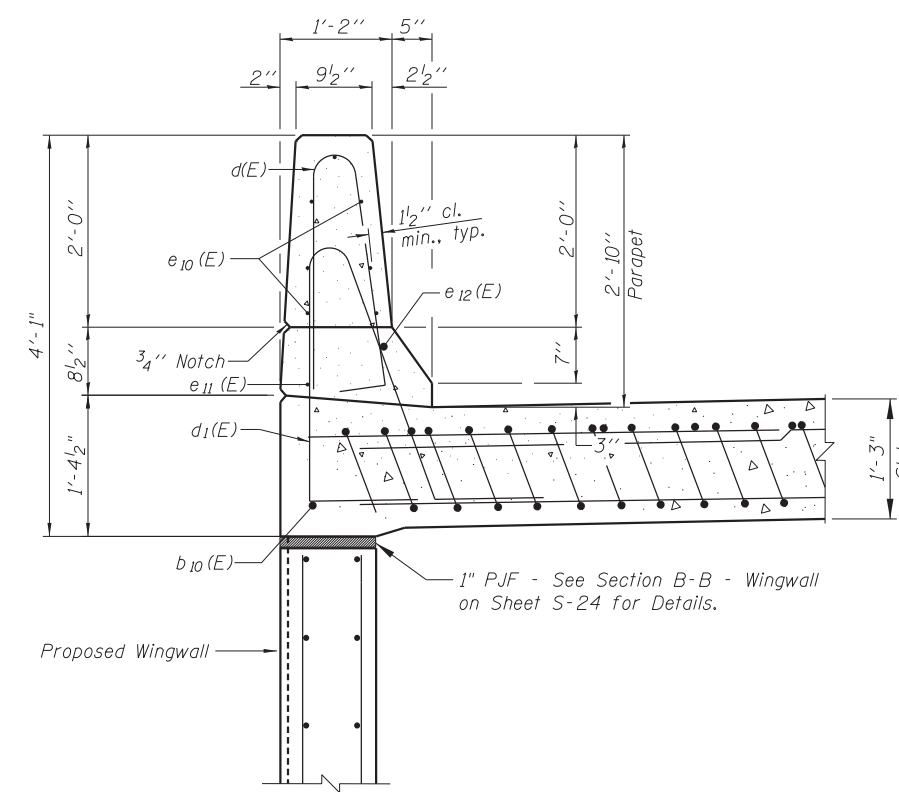
SECTION D-D

(See Plan for dimensions not shown)



VIEW E-E

(See Parapet Joint Detail On Sheet S-11)

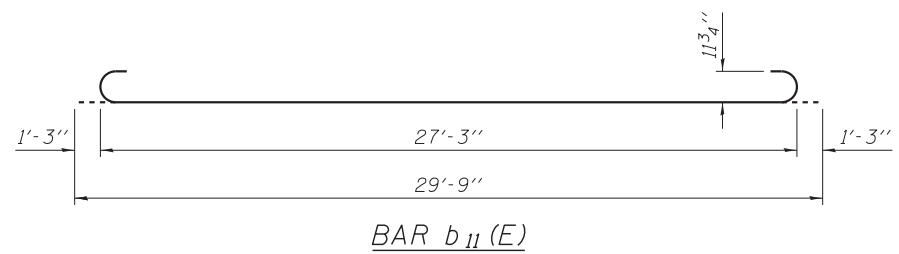


DETAIL A

NORTH APPROACH
 BILL OF MATERIAL

Bar	No.	Size	Length	Shape
a2(E)	24	#6	6'-6"	—
a20(E)	50	#4	34'-6"	—
a21(E)	92	#5	35'-0"	—
b10(E)	44	#4	29'-8"	—
b11(E)	129	#9	29'-9"	—
d(E)	33	#5	5'-7"	U
d1(E)	33	#5	7'-11"	T
d2(E)	3	#6	4'-5"	L
d3(E)	5	#6	8'-11"	L
e10(E)	14	#4	14'-8"	—
e11(E)	2	#4	16'-0"	—
e12(E)	2	#8	17'-7"	—
t10(E)	108	#4	12'-4"	—
w20(E)	120	#5	24'-3"	—
Concrete Superstructure		Cu. Yd.	85.4	
Concrete Structures		Cu. Yd.	20.8	
Reinforcement Bars, Epoxy Coated		Pound	23,390	

Bars indicated thus 1 x 2-#8 etc. indicates 1 lines of bars with 2 lengths per line.



BAR b11(E)

N:\ROSEMONT\11000\CADD_Sheets\0167942-D1660337-016.Appr-slabdet.dgn
 CHRISTOPHER B. BURKE ENGINEERING, LTD.
 9575 W. Higgins Road, Suite 600
 Rosemont, Illinois 60018
 (847) 952-6500

USER NAME =	DESIGNED - MM	REVISED
CHECKED - JMB	REVISOR	
PLOT SCALE =	DRAWN - PDR	REVISOR
PLOT DATE =	CHECKED - MM	REVISOR

STATE OF ILLINOIS
 DEPARTMENT OF TRANSPORTATION

BRIDGE NORTH APPROACH SLAB DETAILS
 SB MANNHEIM ROAD BRIDGE - STRUCTURE NO. 016-7942

F.A. RTE.	SECTION	COUNTY	TOTAL SHEETS	SHEET NO.
330	0105 WRS&HB	COOK	605	378
CONTRACT NO. 60G37				
ILLINOIS FED. AID PROJECT				

SHEET NO. S-16 OF S-27 SHEETS