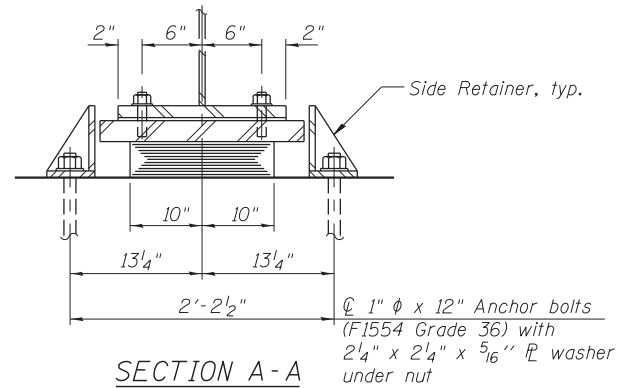
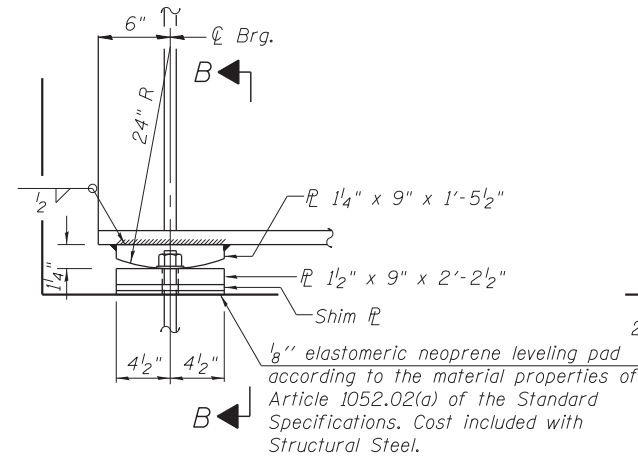


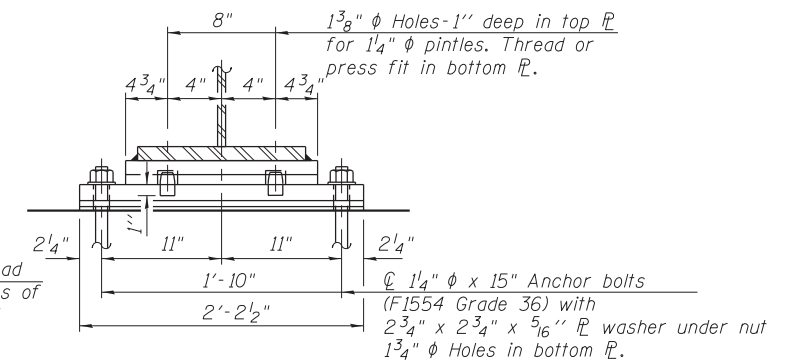
ELEVATION AT NORTH ABUT.



SECTION A-A



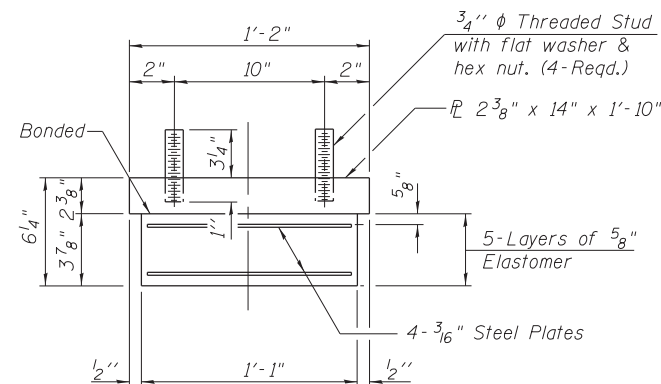
ELEVATION AT SOUTH ABUT.



SECTION B-B

TYPE I ELASTOMERIC EXP. BRG.

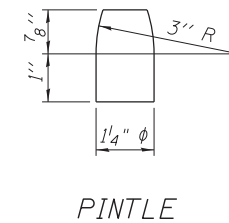
FIXED BEARING



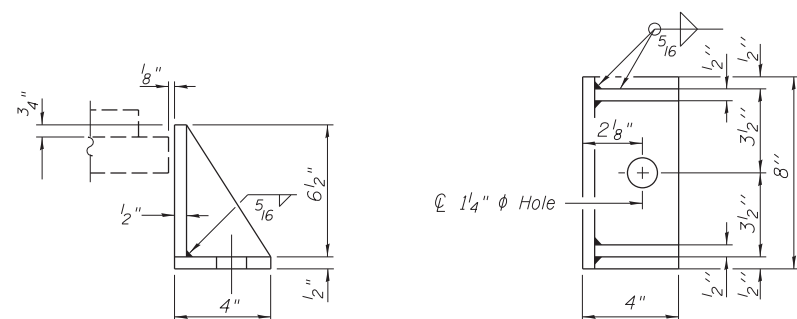
BEARING ASSEMBLY

Note:
Shim plates shall not be placed under Bearing Assembly.

Notes:
Anchor bolts shall be ASTM F1554 all-thread (or an Engineer-approved alternate material) of the grade(s) and diameter(s) specified. The corresponding specified grade of AASHTO M314 anchor bolts may be used in lieu of ASTM F1554.
Anchor bolts at fixed bearings may be either cast in place or installed in holes drilled after the supported member is in place.
Anchor bolts for side retainers may be cast in place or installed in holes drilled before or after members are in place.
Drilled and set anchor bolts shall be installed according to Article 521.06 of the Standard Specifications.
Installing side retainers and other steel members required for the elastomeric bearing assembly shall be included in the cost of Erecting Elastomeric Bearing Assembly, Type I.



PINTLE



SIDE RETAINER

Equivalent rolled angle with stiffeners will be allowed in lieu of welded plates.

BILL OF MATERIAL

Item	Unit	Total
Erecting Elastomeric Bearing Assembly Type I	Each	8
Anchor Bolts, 1"	Each	16
Anchor Bolts, 1 1/4"	Each	16

N:\ROSEMONT\11000\CADD_Sheets\0167942-D166037-0220.Brg-det.dgn

CHRISTOPHER B. BURKE ENGINEERING, LTD.
9575 W. Higgins Road, Suite 600
Rosemont, Illinois 60018
(847) 952-8900

USER NAME =	DESIGNED - MM	REVISED
PLOT SCALE =	CHECKED - JMB	REVISED
PLOT DATE =	DRAWN - PDR	REVISED
	CHECKED - MM	REVISED

STATE OF ILLINOIS
DEPARTMENT OF TRANSPORTATION

BEARING DETAILS
SB MANNHEIM ROAD BRIDGE - STRUCTURE NO. 016-7942

F.A. RTE.	SECTION	COUNTY	TOTAL SHEETS	SHEET NO.
330	0105 WRS&HB	COOK	605	382
CONTRACT NO. 60G37				
ILLINOIS FED. AID PROJECT				