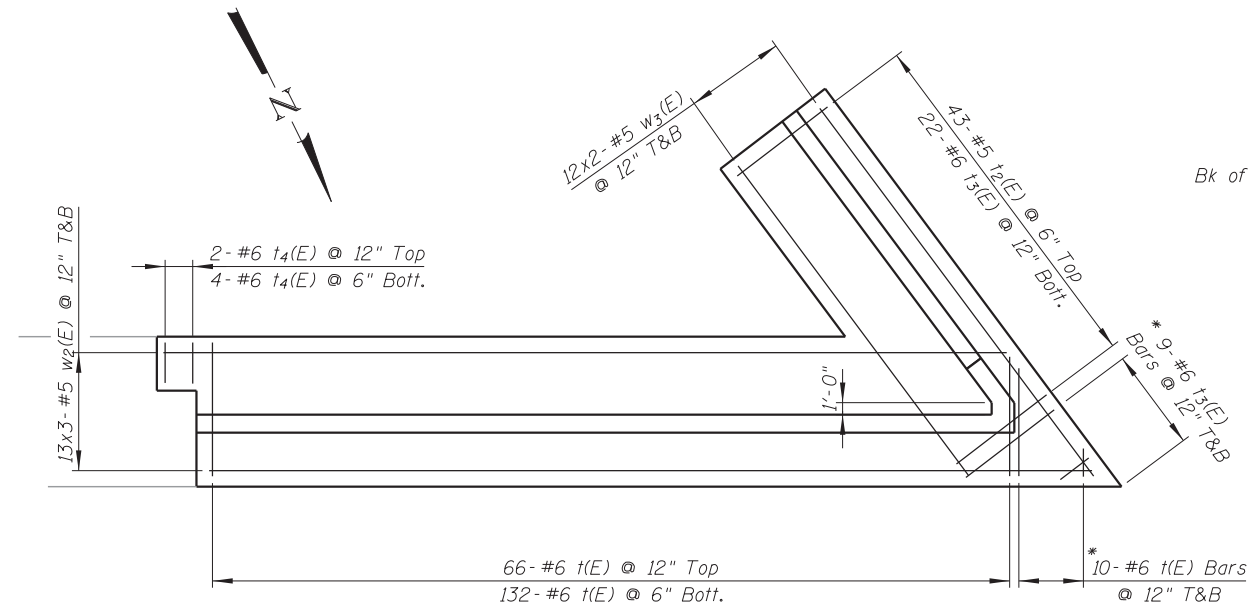
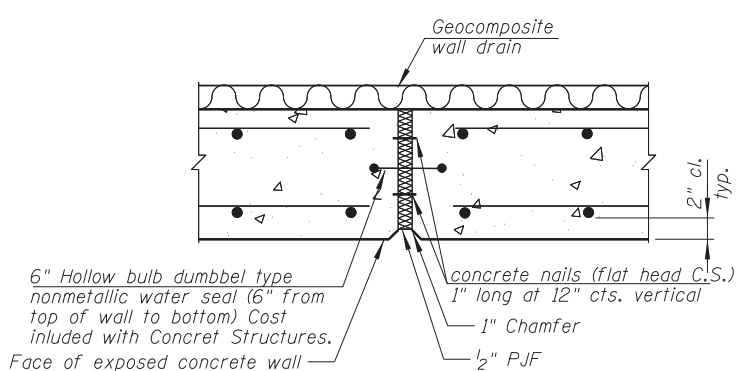


**SOUTH ABUTMENT
BILL OF MATERIAL**

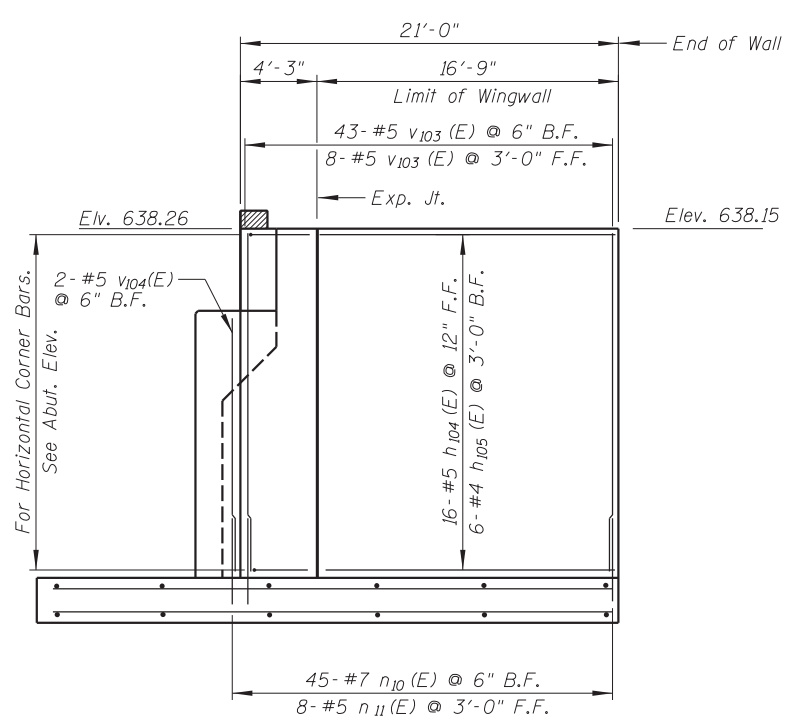
Bar	No.	Size	Length	Shape
h ₃₀ (E)	10	#6	34'-10"	—
h ₃₁ (E)	48	#5	34'-8"	—
h ₃₂ (E)	8	#4	34'-8"	—
h ₃₃ (E)	4	#5	26'-2"	—
h ₃₄ (E)	2	#5	29'-8"	—
h ₃₅ (E)	13	#5	9'-3"	┘
h ₃₆ (E)	13	#5	7'-4"	┘
h ₃₇ (E)	4	#5	6'-10"	┘
h ₃₈ (E)	4	#5	3'-10"	┘
h ₁₀₄ (E)	16	#5	16'-4"	—
h ₁₀₅ (E)	6	#4	16'-4"	—
n(E)	23	#5	7'-1"	┘
n ₁ (E)	129	#8	7'-8"	┘
n ₁₀ (E)	45	#7	9'-1"	—
n ₁₁ (E)	8	#5	4'-9"	—
t(E)	208	#6	12'-2"	—
t ₂ (E)	43	#5	10'-8"	—
t ₃ (E)	31	#6	10'-8"	—
t ₄ (E)	6	#6	3'-4"	—
u(E)	44	#5	6'-2"	┘
u ₁ (E)	55	#5	3'-8"	┘
v(E)	67	#5	3'-10"	┘
v ₁ (E)	67	#4	3'-0"	┘
v ₂ (E)	67	#5	6'-2"	—
v ₃ (E)	67	#5	11'-8"	┘
v ₃₀ (E)	23	#5	11'-10"	—
v ₃₁ (E)	129	#6	11'-10"	—
v ₁₀₃ (E)	51	#5	15'-0"	—
v ₁₀₄ (E)	2	#5	11'-0"	—
w ₂ (E)	78	#5	27'-0"	—
w ₃ (E)	48	#5	16'-6"	—
Concrete Superstructure	Cu. Yd.		5.5	
Concrete Structures	Cu. Yd.		208	
Reinforcement Bars, Epoxy Coated	Pound		20,280	
Structure Excavation	Cu. Yd.		1,160	
Concrete Sealer	Sq. Ft.		428	
Removal and Disposal of Unsuitable Material for Structures	Cu. Yd.		115	



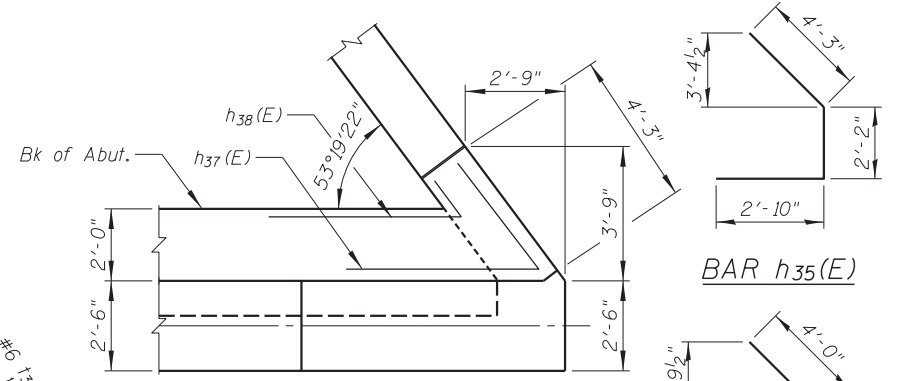
FOOTING PLAN



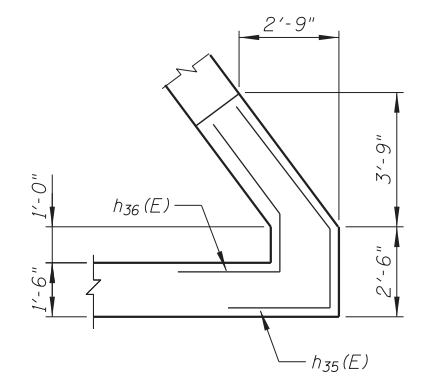
EXPANSION JOINT



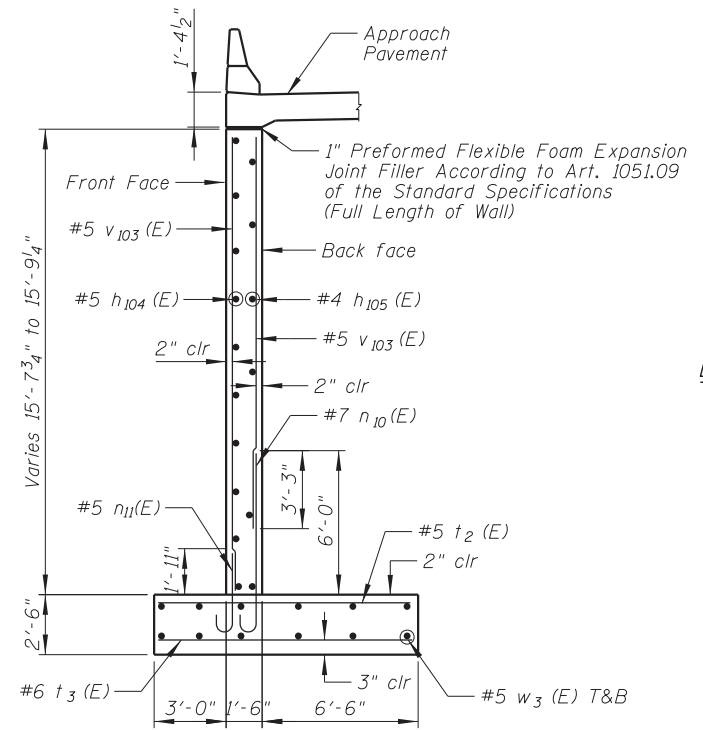
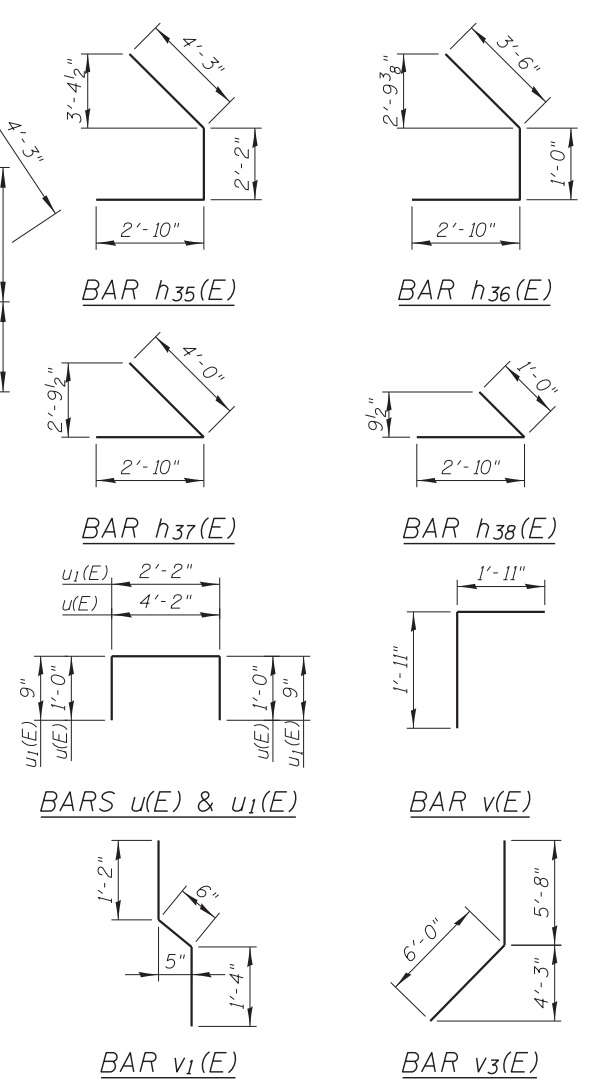
SW WINGWALL ELEVATION



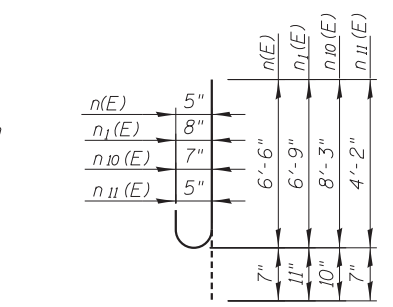
SECTION B-B



SECTION C-C



WINGWALL TYPICAL SECTION



BARS n(E), n₁(E), n₁₀(E) & n₁₁(E)

LEGEND:
F.F. Front Face
B.F. Back face
E.F. Each face

- NOTES:**
- Reinforcement bars designated (E) shall be epoxy coated.
 - Bars indicated thus 1x2 - #5 etc. indicates 1 line of bars with 2 lengths per line.
 - Space reinforcement in cap to miss anchor bolts.
 - Pour steps monolithically with cap.
 - Hatched area to be poured after superstructure false work has been removed. Quality of concrete included in "Concrete Superstructure".
 - For Limits of Removal and Disposal of Unsuitable Material for Structures, See S-3 of S-27.

N:\PROJECTS\11000\CADD_Sheets\0167942-0168037-022-SAAbutment.dgn

CHRISTOPHER B. BURKE ENGINEERING, LTD.
9575 W. Higgins Road, Suite 600
Rosemont, Illinois 60018
(847) 922-0500

USER NAME =	DESIGNED - MM	REVISED
PLOT SCALE =	CHECKED - JMB	REVISED
PLOT DATE =	DRAWN - PDR	REVISED
	CHECKED - MM	REVISED

**STATE OF ILLINOIS
DEPARTMENT OF TRANSPORTATION**

**SOUTH ABUTMENT - DETAILS
SB MANNHEIM ROAD BRIDGE - STRUCTURE NO. 016-7942**

F.A. RTE.	SECTION	COUNTY	TOTAL SHEETS	SHEET NO.
330	0105 WRS&HB	COOK	605	384
			CONTRACT NO. 60G37	

SHEET NO. S-22 OF S-27 SHEETS

ILLINOIS FED. AID PROJECT