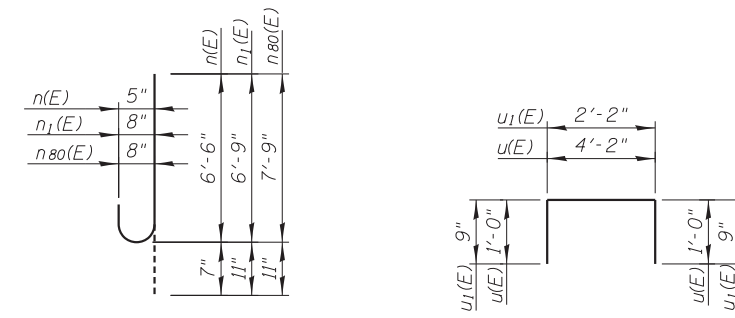


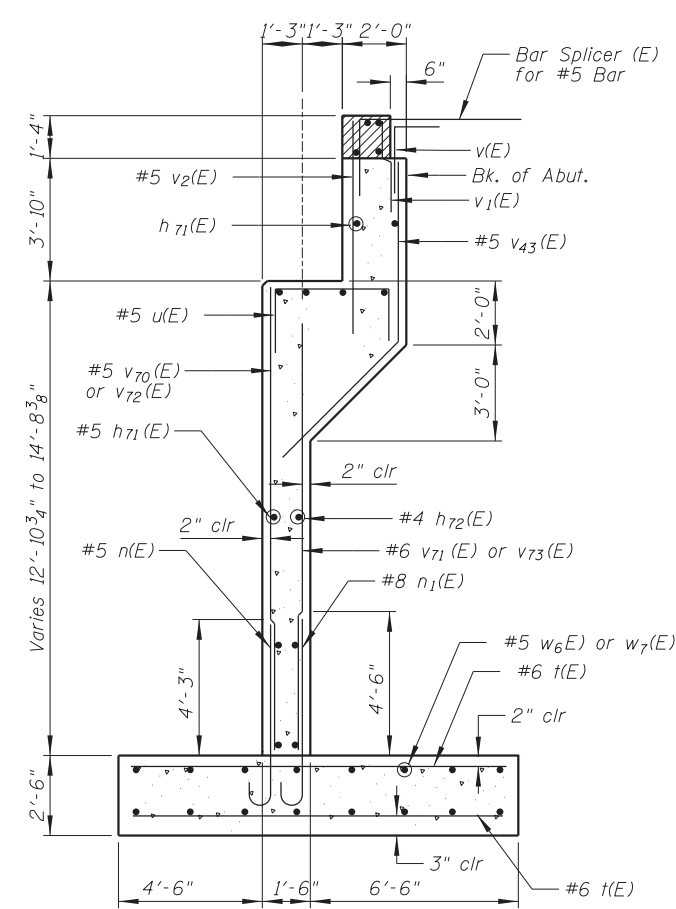
FOOTING PLAN

BARS h75(E), h76(E), h77(E) & h78(E)

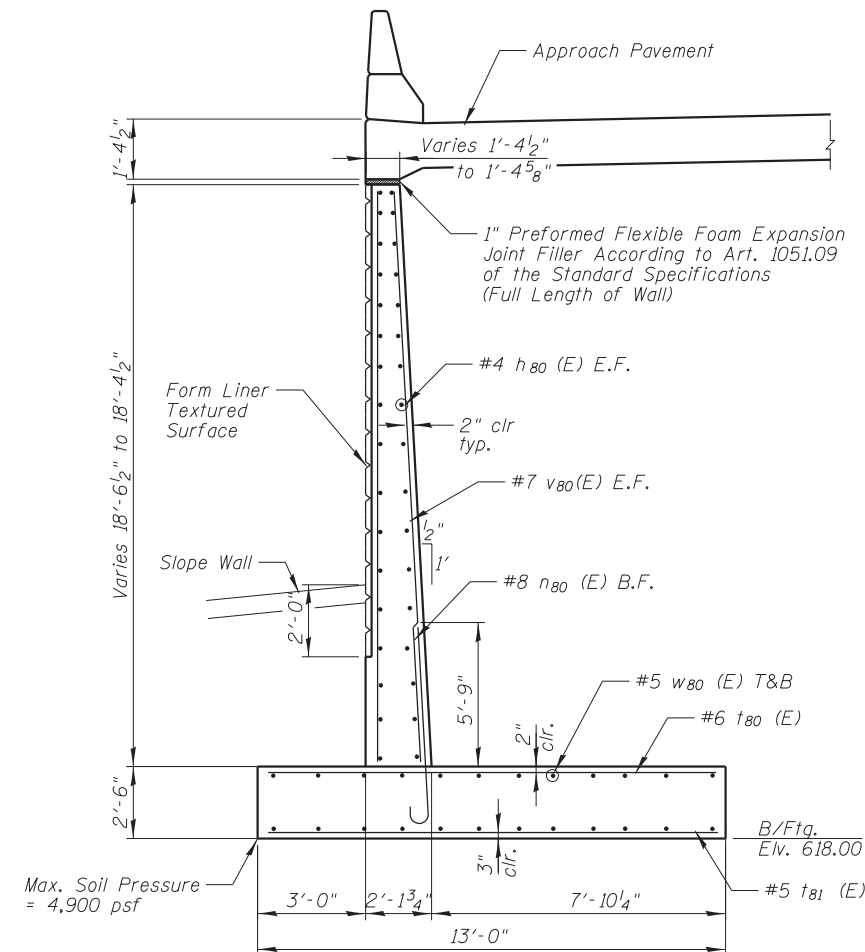


BARS n(E), n1(E) & n80(E)

BARS u(E) & u1(E)

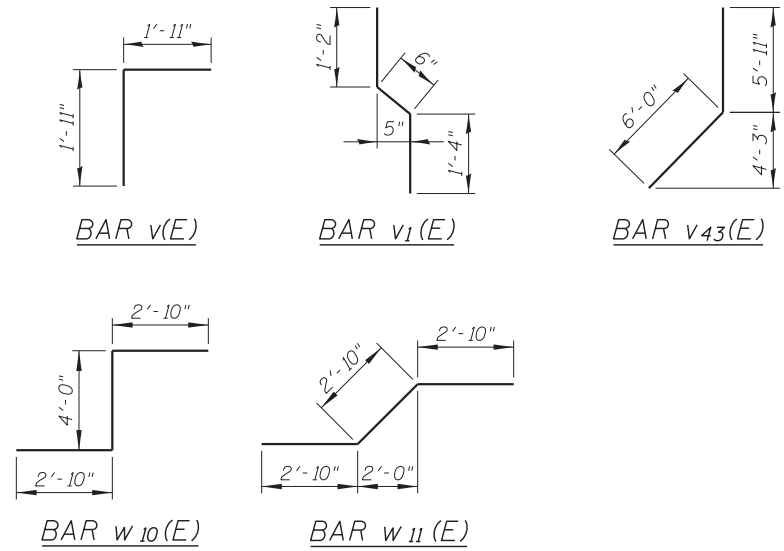


SECTION A-A



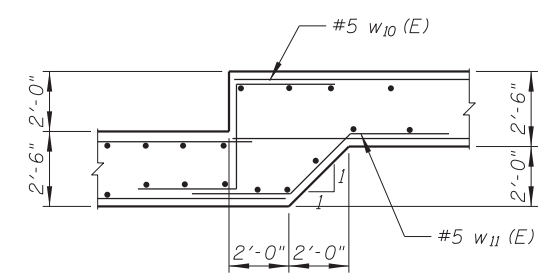
SECTION B-B - WINGWALL

Note: There Shall be a 6" φ Opening Near the Base of the Wingwall for the 6" φ Pipe Underdrain Penetration.



BAR w10(E)

BAR w11(E)



STEPPED FOOTING DETAIL

Bar	No.	Size	Length	Shape
h70(E)	10	#6	35'-3"	—
h71(E)	54	#5	35'-0"	—
h72(E)	11	#4	35'-0"	—
h73(E)	4	#5	25'-7"	—
h74(E)	2	#5	28'-8"	—
h75(E)	15	#5	8'-6"	—
h76(E)	15	#5	6'-10"	—
h77(E)	5	#5	4'-10"	—
h78(E)	5	#5	3'-10"	—
h80(E)	38	#4	28'-7"	—
n(E)	26	#5	7'-1"	—
n1(E)	140	#8	7'-8"	—
n80(E)	58	#8	8'-8"	—
t(E)	197	#6	12'-2"	—
t80(E)	77	#6	12'-6"	—
t81(E)	77	#5	12'-6"	—
u(E)	44	#5	6'-2"	—
u1(E)	53	#5	3'-8"	—
v(E)	67	#5	3'-10"	—
v1(E)	67	#4	3'-0"	—
v2(E)	67	#5	6'-2"	—
v43(E)	67	#5	11'-11"	—
v70(E)	10	#5	12'-9"	—
v71(E)	60	#6	12'-9"	—
v72(E)	16	#5	13'-10"	—
v73(E)	76	#6	13'-10"	—
v74(E)	4	#5	18'-2"	—
v75(E)	7	#6	18'-2"	—
v80(E)	87	#7	18'-3"	—
w6(E)	26	#5	33'-4"	—
w7(E)	26	#5	35'-1"	—
w10(E)	13	#5	9'-8"	—
w11(E)	13	#5	8'-6"	—
w80(E)	28	#5	37'-10"	—
Concrete Superstructure	Cu. Yd.		5.5	
Concrete Structures	Cu. Yd.		268.1	
Reinforcement Bars, Epoxy Coated	Pound		26,350	
Structure Excavation	Cu. Yd.		1,395	
Concrete Sealer	Sq. Ft.		451	
Form Liner Textured Surface	Sq. Ft.		510	
Removal and Disposal of Unsuitable Material for Structures	Cu. Yd.		184	

NOTES:

1. Reinforcement bars designated (E) shall be epoxy coated.
2. Bars indicated thus 1x2 - #5 etc. indicates 1 line of bars with 2 lengths per line.
3. Space reinforcement in cap to miss anchor bolts.
4. Pour steps monolithically with cap.
5. Hatched area to be poured after superstructure false work has been removed. Quality of concrete included in "Concrete Superstructure".
6. For Limits of Removal and Disposal of Unsuitable Material for Structures, See S-3 of S-27.

LEGEND:

- F.F Front Face
- B.F. Back face
- E.F. Each face

N:\PROJECTS\11000\CADD_Sheets\0167942-D1680337-024_NAbutment.dgn

CHRISTOPHER B. BURKE ENGINEERING, LTD.
9575 W. Higgins Road, Suite 600
Rosemont, Illinois 60018
(847) 924-2500

USER NAME =	DESIGNED - MM	REVISED
PLOT SCALE =	CHECKED - JMB	REVISED
PLOT DATE =	DRAWN - PDR	REVISED
	CHECKED - MM	REVISED

STATE OF ILLINOIS
DEPARTMENT OF TRANSPORTATION

NORTH ABUTMENT - DETAILS
SB MANNHEIM ROAD BRIDGE - STRUCTURE NO. 016-7942

F.A. RTE.	SECTION	COUNTY	TOTAL SHEETS	SHEET NO.
330	0105 WRS&HB	COOK	605	386
CONTRACT NO. 60G37				

SHEET NO. S-24 OF S-27 SHEETS

ILLINOIS FED. AID PROJECT