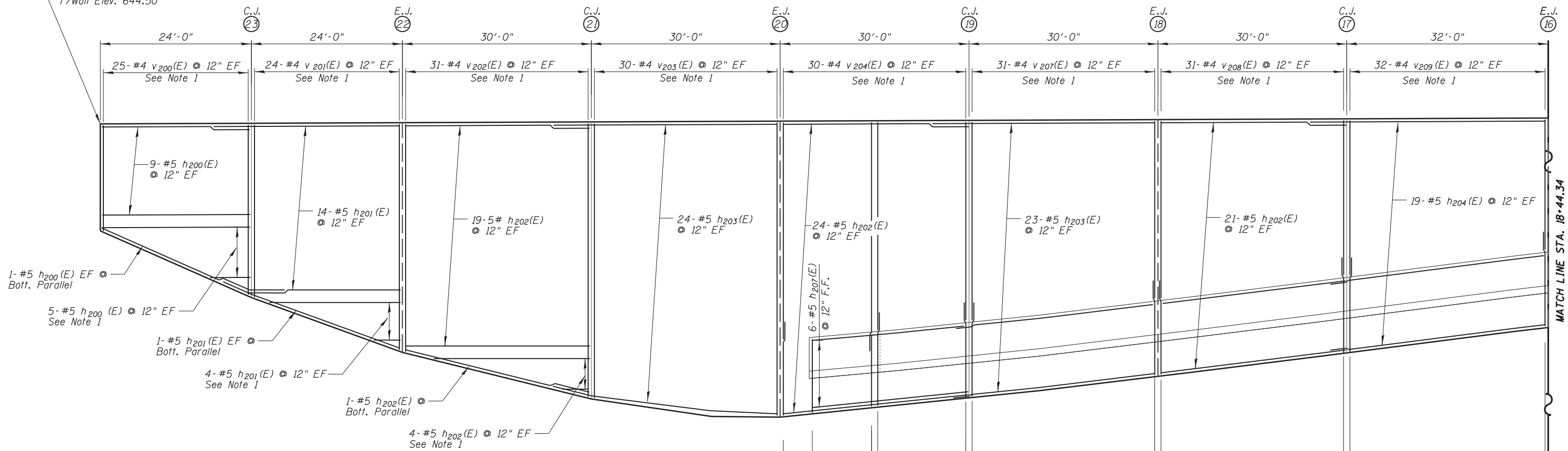
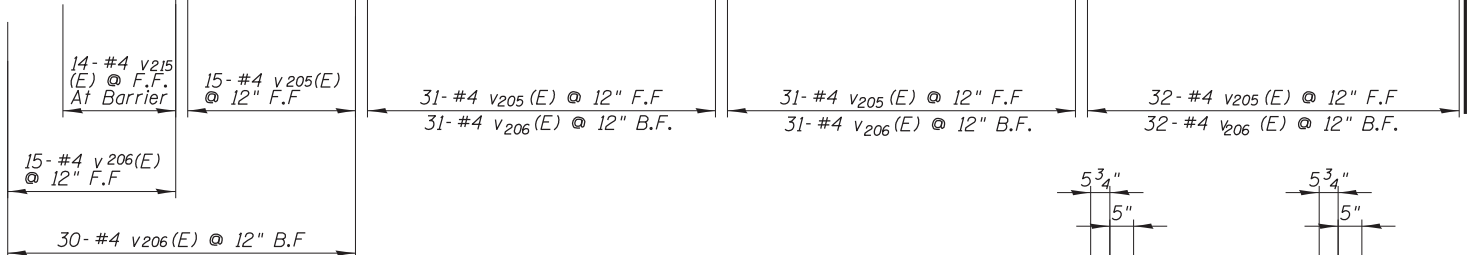


24
 End Soldier Pile Wall
 Sta. 20+55.38
 Off. 48.80' RT
 T/Wall Elev. 644.50



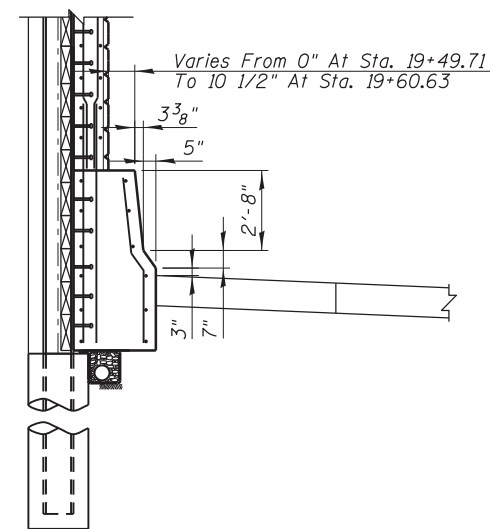
Notes:
 1. Order Bars Full Length, Cut to Fit and Use Remainder on Back Face.



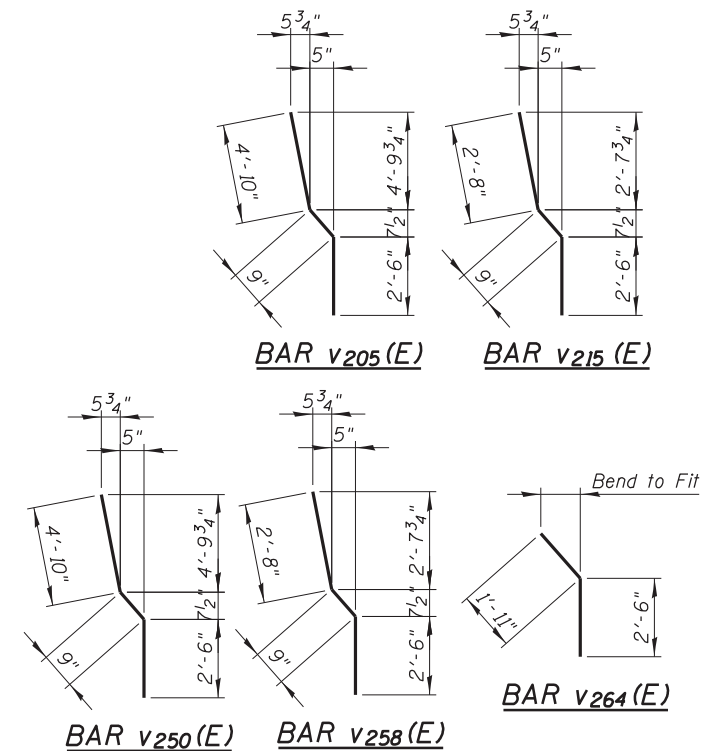
ELEVATION



PLAN - INTERSECTION OF WEST RETAINING WALL AND INDEPENDENT BARRIER AND ANCHORAGE SLAB



SECTION - INTERSECTION OF WEST RETAINING WALL AND INDEPENDENT BARRIER AND ANCHORAGE SLAB AT STA. 19+60.63 (Looking North)



Note: See Sheet S-1 for Stations And Elevations At Joints.

N:\ROSEMONT\11000\CADD_Sheets\1166037-shr-wal-1-04-cbd.dgn

CHRISTOPHER B. BURKE ENGINEERING, LTD.
 8575 W. Higgins Road, Suite 600
 Rosemont, Illinois 60018
 (847) 924-8800

USER NAME =	DESIGNED - JMB	REVISED
PLOT SCALE =	CHECKED - MM	REVISED
PLOT DATE =	DRAWN - PDR	REVISED
	CHECKED - MM	REVISED

STATE OF ILLINOIS
 DEPARTMENT OF TRANSPORTATION

ELEVATION AND DETAILS
 WEST RETAINING WALL - STRUCTURE NO. 016-1400

SHEET NO. S-4 OF S-13 SHEETS

F.A. RTE.	SECTION	COUNTY	TOTAL SHEETS	SHEET NO.
330	0105 WRS&HB	COOK	605	393
CONTRACT NO. 60G37				

ILLINOIS FED. AID PROJECT