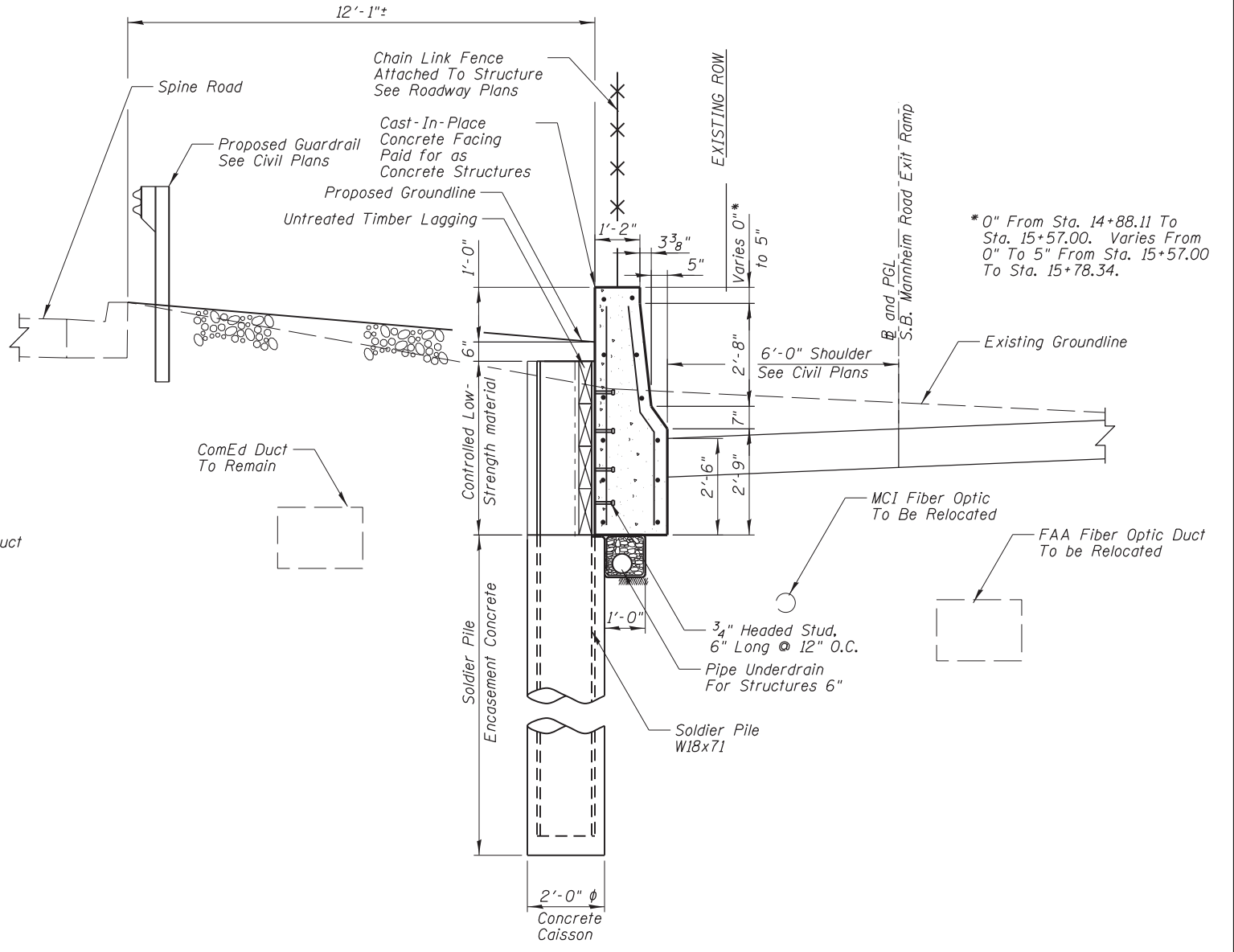
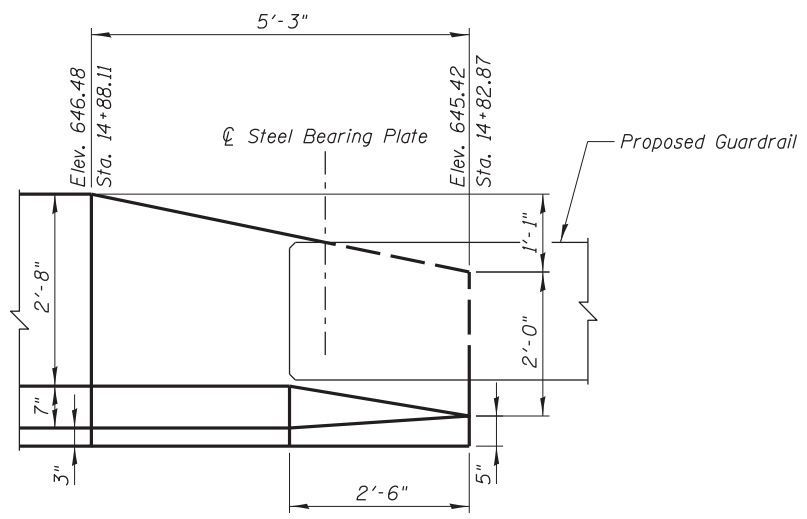


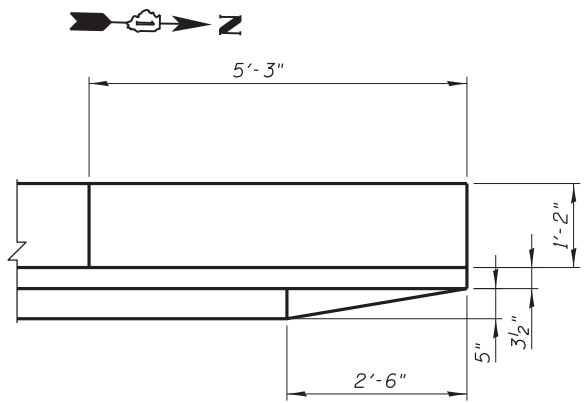
TYPICAL WALL SECTION - STA. 14+82.87 TO STA. 14+88.11



TYPICAL WALL SECTION - STA. 14+88.11 TO STA. 15+78.34



ELEVATION - STA. 14+82.87 TO STA. 14+88.11



PLAN - STA. 14+82.87 TO STA. 14+88.11

N:\PROJECTS\11000\CADD_Sheets\1166037-shr-ww1-06-cb.dgn

CHRISTOPHER B. BURKE ENGINEERING, LTD.
 8575 W. Higgins Road, Suite 600
 Rosemont, Illinois 60018
 (847) 924-8900

USER NAME =	DESIGNED - JMB	REVISED
PLOT SCALE =	CHECKED - MM	REVISED
PLOT DATE =	DRAWN - PDR	REVISED
	CHECKED - MM	REVISED

**STATE OF ILLINOIS
 DEPARTMENT OF TRANSPORTATION**

**SECTIONS
 WEST RETAINING WALL - STRUCTURE NO. 016-1400**

F.A. RTE.	SECTION	COUNTY	TOTAL SHEETS	SHEET NO.
330	0105 WRS&HB	COOK	605	395
CONTRACT NO. 60G37				

SHEET NO. S-6 OF S-13 SHEETS

ILLINOIS FED. AID PROJECT