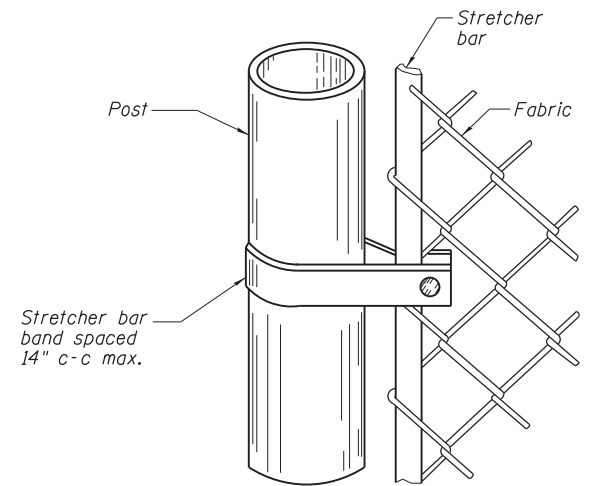


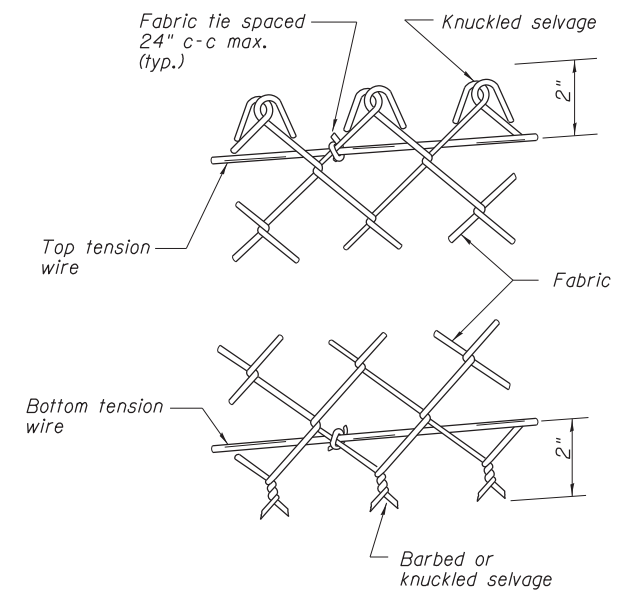
LINE POST ARRANGEMENT

CORNER OR END POST ARRANGEMENT

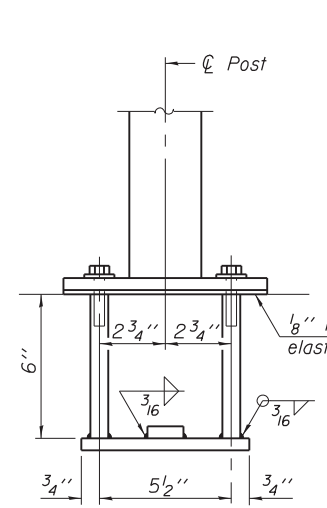
- * The Post Anchors Shall be At least 2'-0" From Wall Expansion Joints.
- Pull Post Shall Be Placed Off of Wall.



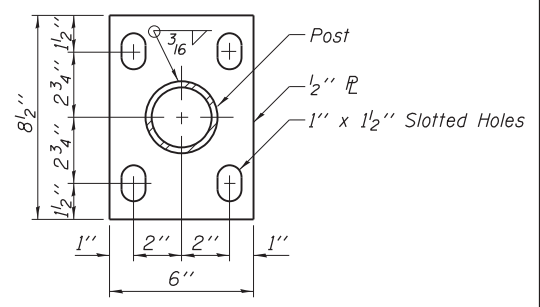
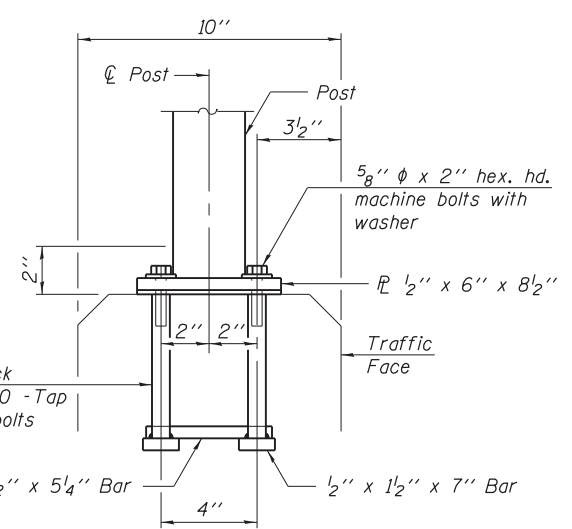
METHOD OF FASTENING STRETCHER BAR TO POST



METHOD OF TYING FABRIC TO TENSION WIRES



1" Round bar stock
AASHTO M270 G50 - Tap
for 5/8" φ mach. bolts



ANCHOR BOLT DETAILS

In lieu of the cast-in-place anchor device shown, the Contractor has the option of drilling and setting 5/8" φ anchor rods according to Article 509.06 of the Standard Specifications. Embedment shall be according to the manufacturer's specifications.

BASE P

Note:
Cost of all the anchor bolts and accessory required for Chain Link Supports are included in "Chain Link Fence, 6' Attached to Structure". See Roadway Plans.

LINE POST	
Section	lbs./ft.
Pipe Type A 1.90 O.D.	2.72
Pipe Type B 1.90 O.D.	2.28
Pipe Type C 1.90 O.D.	2.26
H 1.875x1.625	2.72

TERMINAL POST	
Section	lbs./ft.
Pipe Type A 2.375 O.D.	3.65
Pipe Type B 2.375 O.D.	3.11
Pipe Type C 2.375 O.D.	3.09
Roll Formed 3 1/2 x 3 1/2	See detail
Sq. Tubing 2 1/2 x 2 1/2	4.32

HORIZONTAL BRACES	
Section	lbs./ft.
Pipe Type A 1.66 O.D.	2.27
Pipe Type B 1.66 O.D.	1.83
Pipe Type C 1.66 O.D.	1.82
H 1.31x1.5	2.25
Roll Formed 1 5/8 x 1 1/4	See detail

N:\ROSEMONT\11000\CADD_Sheets\DI160037-ahf-wall-10-cb.dgn

CHRISTOPHER B. BURKE ENGINEERING, LTD.
8575 W. Higgins Road, Suite 600
Rosemont, Illinois 60018
(847) 924-6500

USER NAME =	DESIGNED - JMB	REVISED
PLOT SCALE =	CHECKED - MM	REVISED
PLOT DATE =	DRAWN - PDR	REVISED
	CHECKED - MM	REVISED

**STATE OF ILLINOIS
DEPARTMENT OF TRANSPORTATION**

**CHAIN LINK FENCE ATTACHED TO STRUCTURE
WEST RETAINING WALL - STRUCTURE NO. 016-1400**

SHEET NO. S-10 OF S-13 SHEETS

F.A. RTE.	SECTION	COUNTY	TOTAL SHEETS	SHEET NO.
330	0105 WRS&HB	COOK	605	399
CONTRACT NO. 60G37				

ILLINOIS FED. AID PROJECT