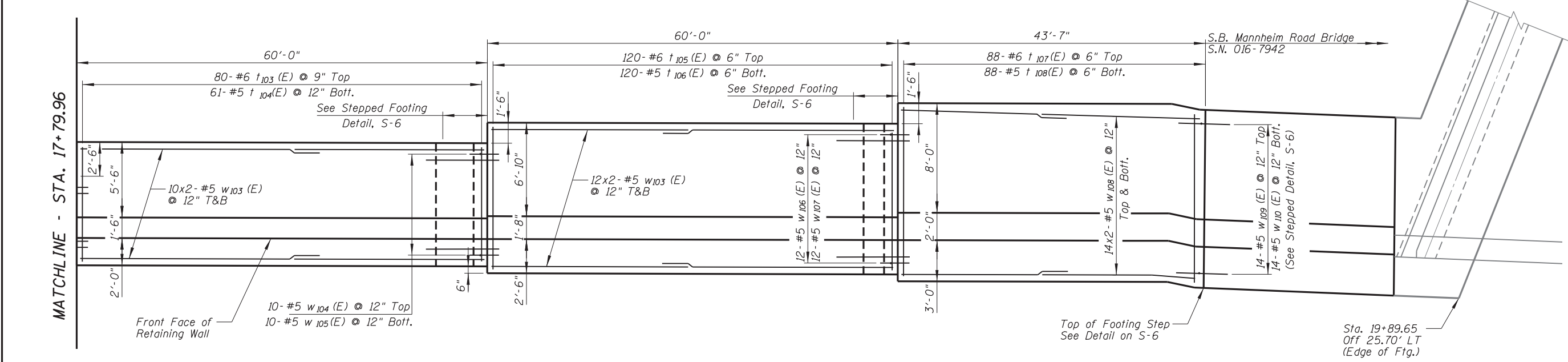


Note: See Sheet S-1 for Stations And Elevations At Joints.

MINIMUM BAR LAP

#4 bar = 2'-11"
 #5 bar = 3'-8"

ELEVATION



FOOTING PLAN

N:\PROJECTS\11000\CADD_Sheets\1166037-shr-ewall-1-94-cbd.dgn

CHRISTOPHER B. BURKE ENGINEERING, LTD.
 8575 W. Higgins Road, Suite 600
 Rosemont, Illinois 60018
 (847) 924-6500

USER NAME =	DESIGNED - JMB	REVISED
PLOT SCALE =	CHECKED - MM	REVISED
PLOT DATE =	DRAWN - PDR	REVISED
	CHECKED - MM	REVISED

STATE OF ILLINOIS
DEPARTMENT OF TRANSPORTATION

PLAN AND ELEVATION
EAST RETAINING WALL - STRUCTURE NO. 016-1401

SHEET NO. S-4 OF S-14 SHEETS

F.A. RTE.	SECTION	COUNTY	TOTAL SHEETS	SHEET NO.
330	0105 WRS&HB	COOK	605	406
CONTRACT NO. 60G37				
ILLINOIS FED. AID PROJECT				