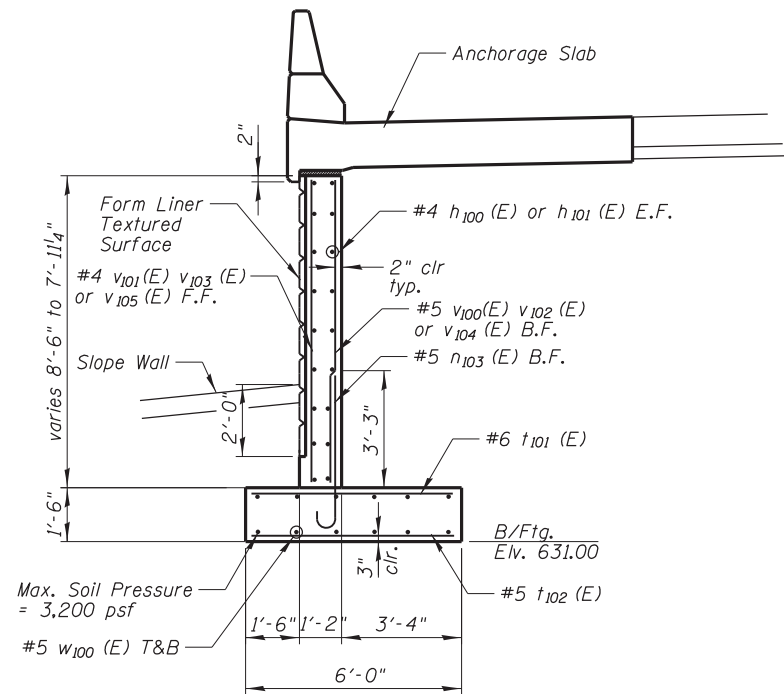
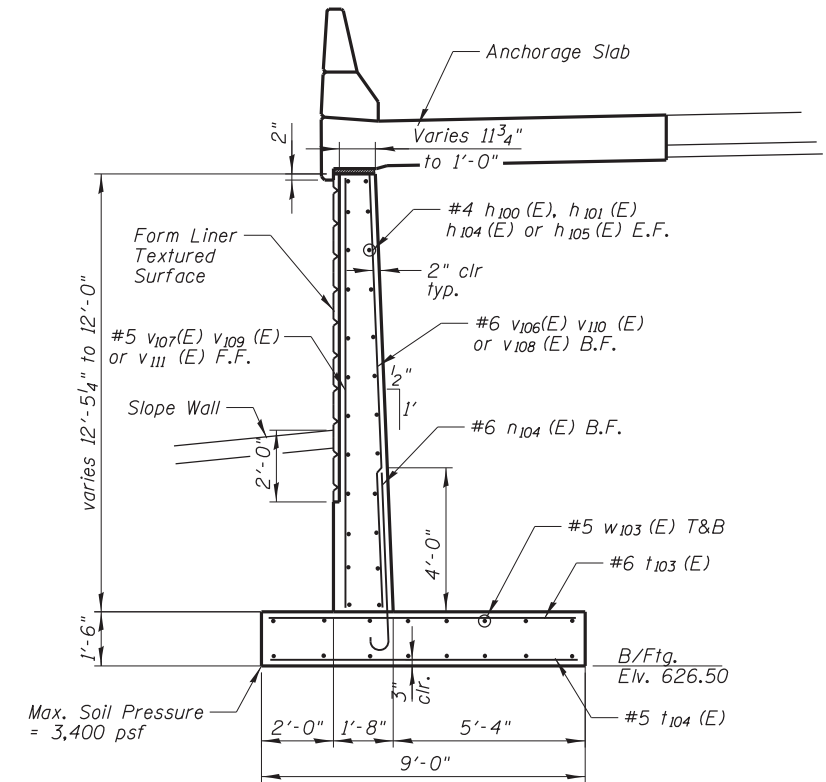


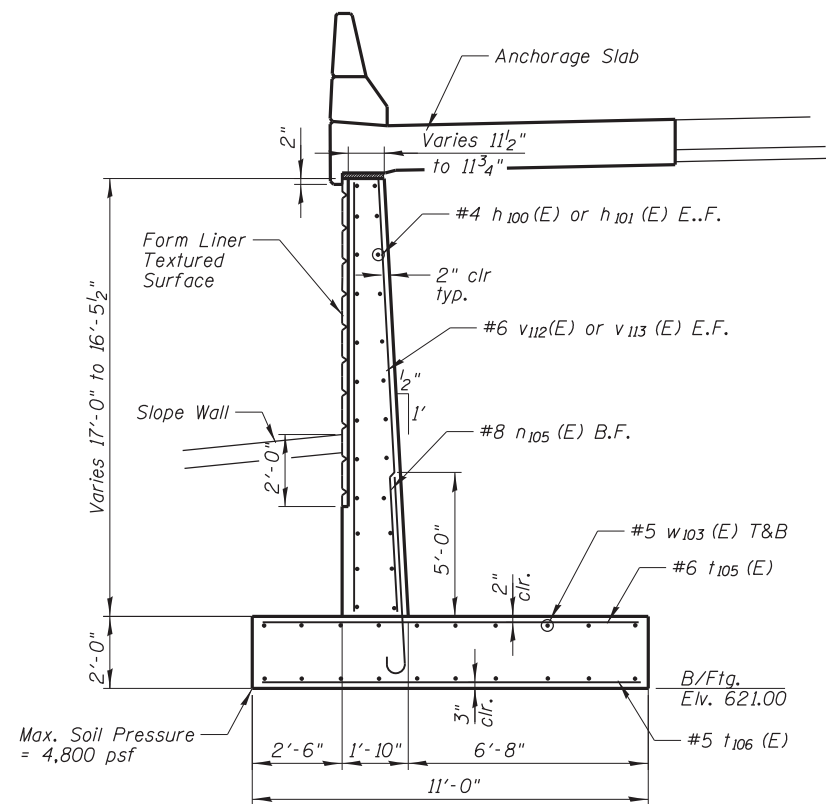
SECTION-STA. 16+00 TO STA. 16+89.98



SECTION-STA. 16+89.98 TO STA. 17+79.96

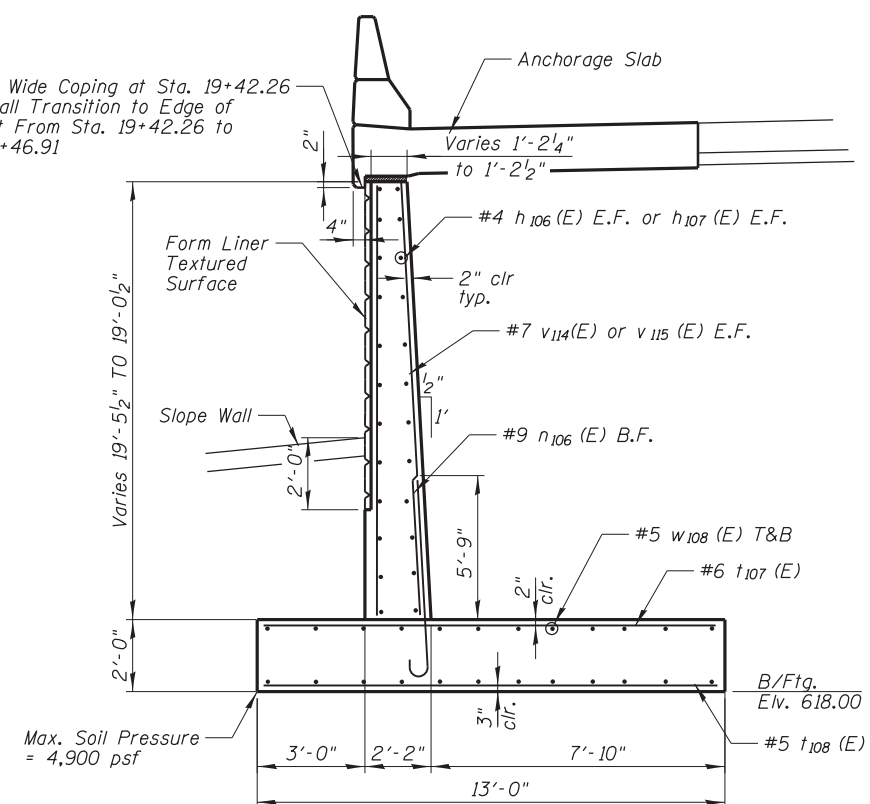


SECTION-STA. 17+79.96 TO STA. 18+39.95



SECTION-STA. 18+39.95 TO STA. 18+99.94

End 4" Wide Coping at Sta. 19+42.26
Wall Shall Transition to Edge of
Parapet From Sta. 19+42.26 to
Sta. 19+46.91



SECTION-STA. 18+99.94 TO STA. 19+46.91

N:\PROJECTS\11000\CADD_Sheets\1166037-shr-ewall-195-ceb.dgn

CHRISTOPHER B. BURKE ENGINEERING, LTD.
8575 W. Higgins Road, Suite 600
Rosemont, Illinois 60018
(847) 924-8900

USER NAME =	DESIGNED - JMB	REVISED
PLOT SCALE =	CHECKED - MM	REVISED
PLOT DATE =	DRAWN - PDR	REVISED
	CHECKED - MM	REVISED

**STATE OF ILLINOIS
DEPARTMENT OF TRANSPORTATION**

**TYPICAL SECTIONS
EAST RETAINING WALL - STRUCTURE NO. 016-1401**

SHEET NO. S-5 OF S-14 SHEETS

F.A. RTE.	SECTION	COUNTY	TOTAL SHEETS	SHEET NO.
330	0105 WRS&HB	COOK	605	407
CONTRACT NO. 60G37				

ILLINOIS FED. AID PROJECT