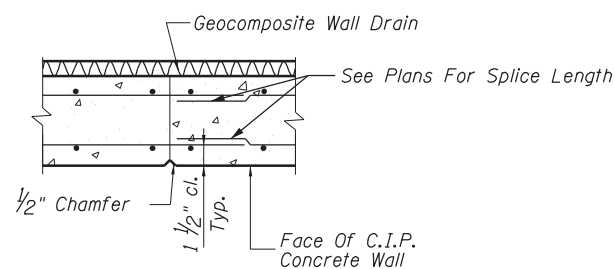


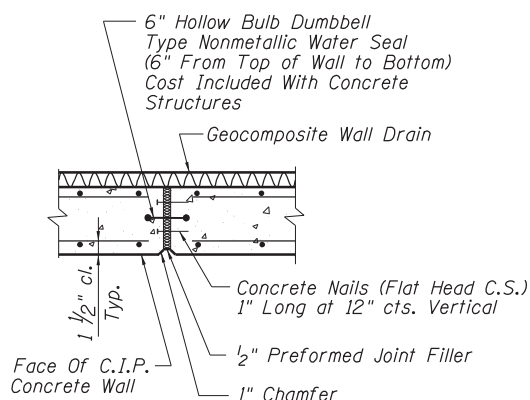
**BILL OF MATERIAL**

Bar	No.	Size	Length	Shape
h 100 (E)	98	#4	32'-11"	—
h 101 (E)	82	#4	29'-8"	—
h 102 (E)	4	#5	6'-6"	—
h 103 (E)	8	#5	2'-6"	—
h 104 (E)	6	#4	19'-10"	—
h 105 (E)	6	#4	11'-6"	—
h 106 (E)	40	#4	24'-9"	—
h 107 (E)	40	#4	21'-6"	—
n 100 (E)	31	#4	5'-11"	J
n 101 (E)	31	#4	5'-9"	J
n 102 (E)	31	#4	5'-7"	J
n 103 (E)	180	#5	5'-1"	J
n 104 (E)	124	#6	6'-2"	J
n 105 (E)	120	#8	7'-8"	J
n 106 (E)	88	#9	8'-9"	J
t 100 (E)	185	#5	3'-8"	—
t 101 (E)	91	#6	5'-8"	—
t 102 (E)	94	#5	5'-8"	—
t 103 (E)	80	#6	8'-8"	—
t 104 (E)	65	#5	8'-8"	—
t 105 (E)	120	#6	10'-8"	—
t 106 (E)	124	#5	10'-8"	—
t 107 (E)	88	#6	12'-8"	—
t 108 (E)	88	#5	12'-8"	—
v 100 (E)	31	#5	8'-2"	—
v 101 (E)	21	#4	8'-2"	—
v 102 (E)	31	#5	8'-0"	—
v 103 (E)	21	#4	8'-0"	—
v 104 (E)	31	#5	7'-10"	—
v 105 (E)	21	#4	7'-10"	—
v 106 (E)	32	#6	12'-1"	—
v 107 (E)	32	#5	12'-1"	—
v 108 (E)	3	#6	10'-4"	—
v 109 (E)	3	#5	10'-4"	—
v 110 (E)	31	#6	11'-10"	—
v 111 (E)	31	#5	11'-10"	—
v 112 (E)	91	#6	16'-8"	—
v 113 (E)	91	#6	16'-4"	—
v 114 (E)	66	#7	19'-1"	—
v 115 (E)	66	#7	18'-10"	—
v 120 (E)	21	#4	4'-2"	—
v 121 (E)	21	#4	4'-0"	—
v 122 (E)	21	#4	3'-10"	—
w 100 (E)	72	#5	32'-11"	—
w 101 (E)	12	#5	6'-11"	L
w 102 (E)	12	#5	14'-9"	L
w 103 (E)	88	#5	32'-7"	—
w 104 (E)	10	#5	7'-11"	L
w 105 (E)	10	#5	16'-2"	—
w 106 (E)	12	#5	5'-11"	L
w 107 (E)	12	#5	13'-4"	L
w 108 (E)	56	#5	24'-5"	—
w 109 (E)	14	#5	7'-9"	—
w 110 (E)	14	#5	7'-4"	—
Concrete Structures			Cu. Yd.	391.2
Reinforcement Bars, Epoxy Coated			Pound	43,300

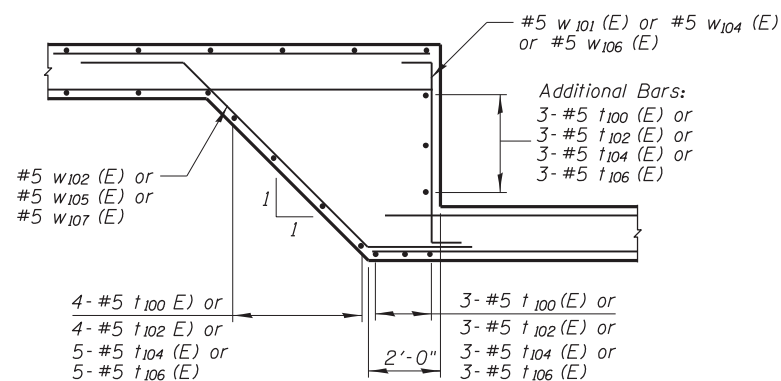
NOTES:  
 1. Reinforcement bars designated (E) shall be epoxy coated.  
 2. Bars indicated thus 1x2-#5 etc. indicates 1 line of bars with 2 lengths per line.



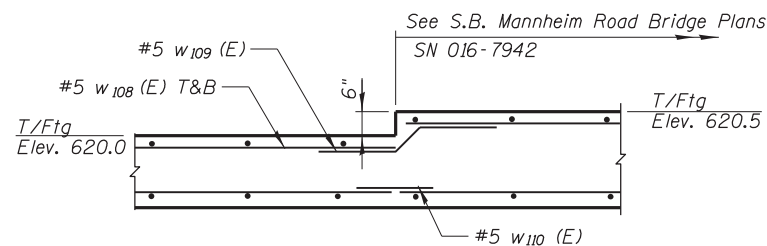
**CONSTRUCTION JOINT**  
 (Form Liner Omitted For Clarity)



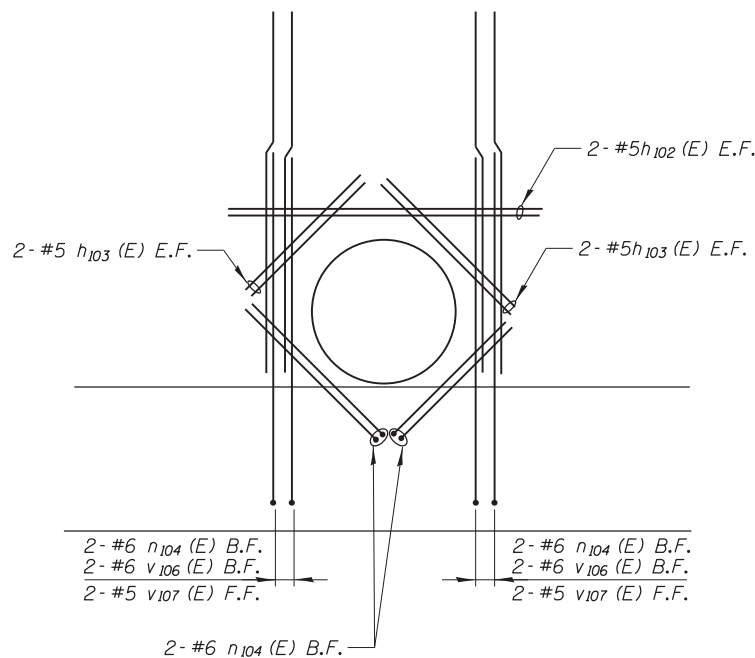
**EXPANSION JOINT**  
 (Form Liner Omitted For Clarity)



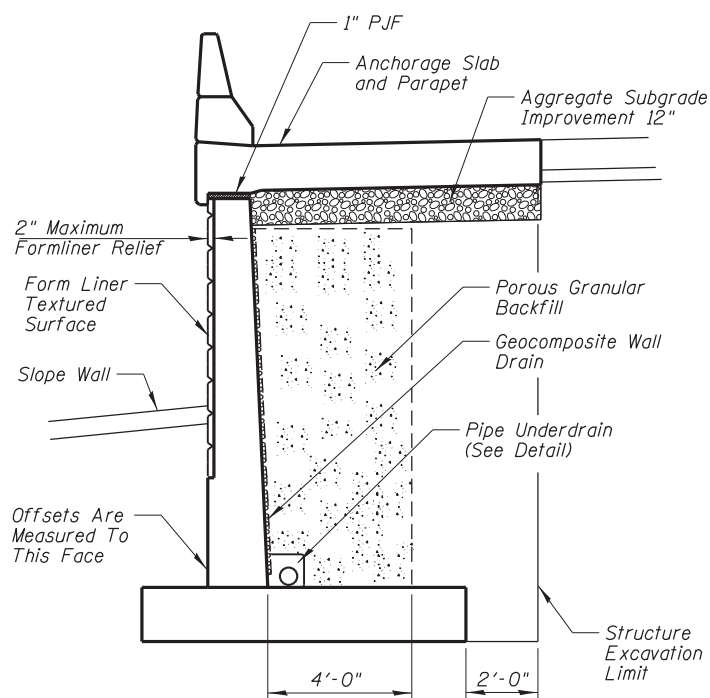
**STEPPED FOOTING DETAIL**



**STEP DETAIL - STA. 19+46.91**



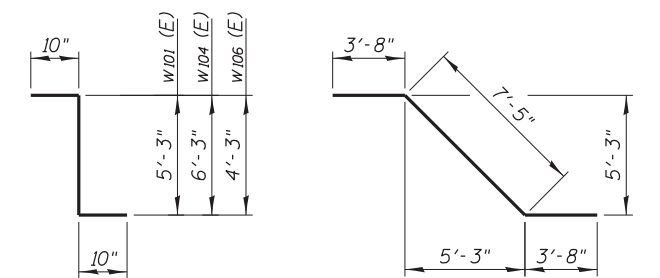
**DETAIL - ADDITIONAL BARS ON OPENING**



**TYPICAL SECTION THRU WALL**

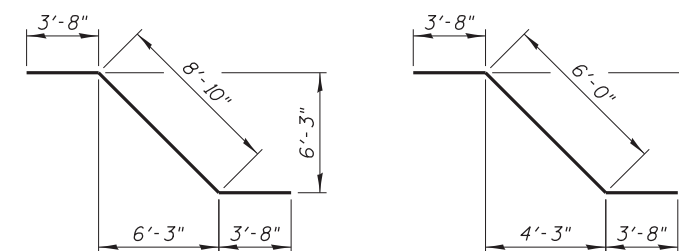
Bar	SIZE	A	B	C
n 100 (E)	#4	5'-5"	6"	4"
n 101 (E)	#4	5'-3"	6"	4"
n 102 (E)	#4	5'-1"	6"	4"
n 103 (E)	#5	4'-6"	7"	5"
n 104 (E)	#6	5'-6"	8"	6"
n 105 (E)	#8	6'-9"	11"	8"
n 106 (E)	#9	7'-6"	15"	11 3/4"

**BAR n 100 (E) to n 110 (E)**



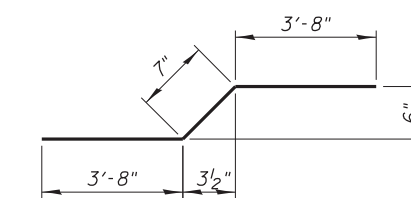
**BAR w 101 (E), w 104 (E), w 106 (E)**

**BAR w 102 (E)**

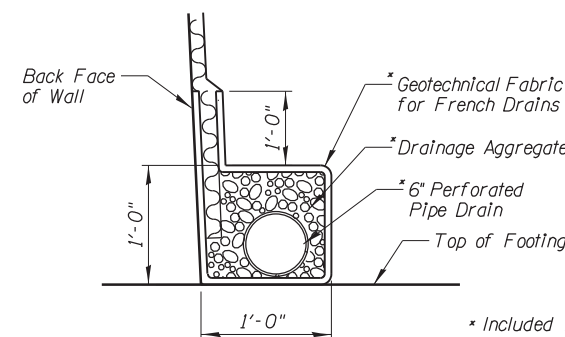


**BAR w 105 (E)**

**BAR w 107 (E)**



**BAR w 109 (E)**



**PIPE UNDERDRAIN DETAIL**

\* Included in the cost of "Pipe Underdrains for Structures".