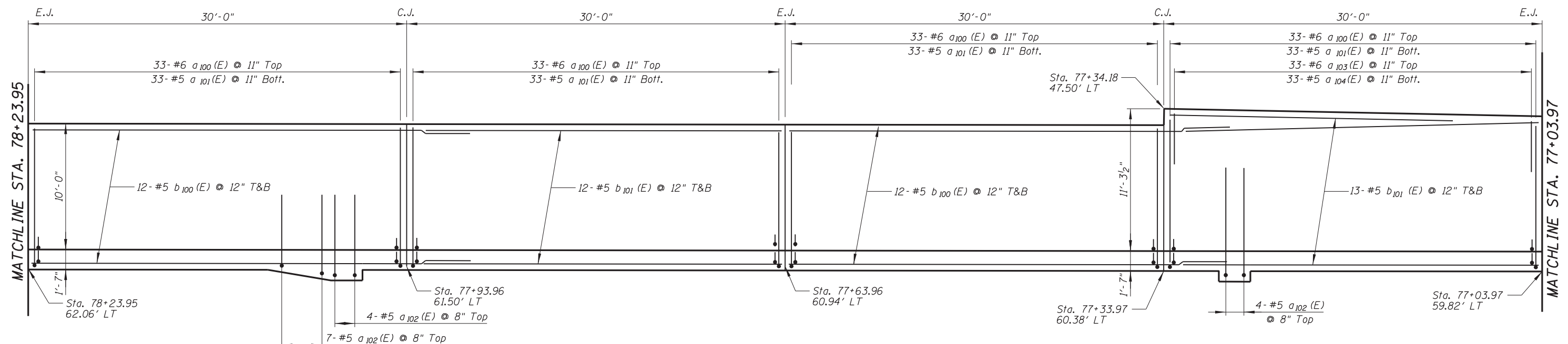


ELEVATION



PLAN

NOTE: All Stations and Offsets Are Measured From The \mathcal{C} of Mannheim Road.

N:\ROSEMONT\11000\CADD_Sheets\DI66037-shr-ewell-09-cbd.dgn

CHRISTOPHER B. BURKE ENGINEERING, LTD.
 8575 W. Higgins Road, Suite 600
 Rosemont, Illinois 60018
 (847) 922-6500

USER NAME =	DESIGNED - JMB	REVISED
PLOT SCALE =	CHECKED - MM	REVISED
PLOT DATE =	DRAWN - PDR	REVISED
	CHECKED - MM	REVISED

**STATE OF ILLINOIS
 DEPARTMENT OF TRANSPORTATION**

**PARAPET AND ANCHORAGE SLAB REINFORCEMENT
 EAST RETAINING WALL - STRUCTURE NO. 016-1401**

SHEET NO. S-9 OF S-14 SHEETS

F.A. RTE.	SECTION	COUNTY	TOTAL SHEETS	SHEET NO.
330	0105 WRS&HB	COOK	605	411
CONTRACT NO. 60G37				
ILLINOIS FED. AID PROJECT				