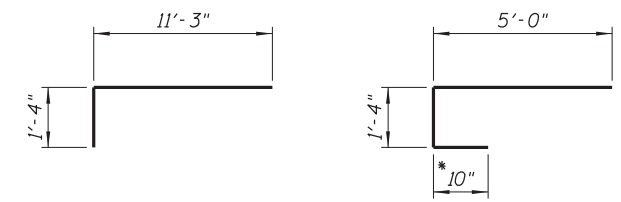


**BILL OF MATERIAL**

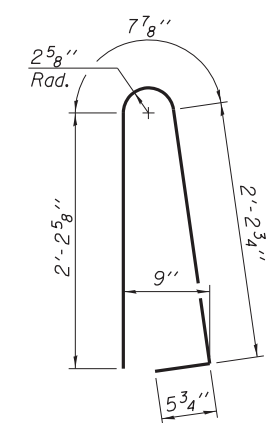
Bar	No.	Size	Length	Shape
a <sub>100</sub> (E)	386	#6	12'-7"	
a <sub>101</sub> (E)	386	#5	11'-3"	
a <sub>102</sub> (E)	48	#5	7'-2"	
a <sub>103</sub> (E)	57	#6	5'-0"	
a <sub>104</sub> (E)	57	#5	4'-6"	
a <sub>105</sub> (E)	7	#6	14'-2"	
a <sub>106</sub> (E)	7	#5	14'-2"	
b <sub>100</sub> (E)	150	#5	33'-8"	
b <sub>101</sub> (E)	102	#5	29'-8"	
b <sub>103</sub> (E)	24	#5	25'-5"	
b <sub>104</sub> (E)	12	#5	52'-0"	
b <sub>105</sub> (E)	24	#5	6'-6"	
b <sub>106</sub> (E)	1	#5	17'-5"	
d <sub>100</sub> (E)	378	#5	5'-7"	
d <sub>101</sub> (E)	378	#5	7'-11"	
d <sub>102</sub> (E)	31	#6	5'-8"	
d <sub>103</sub> (E)	40	#6	8'-11"	
d <sub>104</sub> (E)	32	#6	8'-4"	
e <sub>100</sub> (E)	48	#4	32'-11"	
e <sub>101</sub> (E)	6	#8	37'-8"	
e <sub>102</sub> (E)	32	#4	29'-8"	
e <sub>103</sub> (E)	4	#8	29'-8"	
e <sub>104</sub> (E)	8	#4	25'-9"	
e <sub>105</sub> (E)	1	#8	30'-6"	
e <sub>106</sub> (E)	8	#4	21'-6"	
e <sub>107</sub> (E)	1	#8	21'-6"	
Concrete Superstructure			Cu. Yd.	231.2
Reinforcement Bars, Epoxy Coated			Pound	32,740



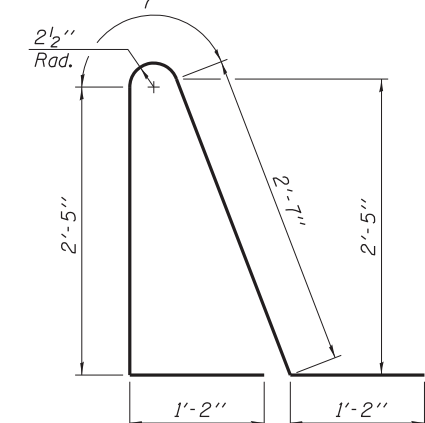
**BAR a<sub>100</sub> (E)**

**BAR a<sub>102</sub> (E)**

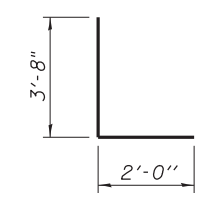
\* Field Cut a<sub>102</sub> (E) Bars In Taper Portion of Light Pole Pedestal To Fit.



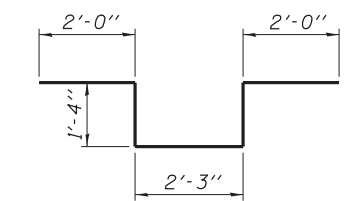
**BAR d<sub>100</sub> (E)**



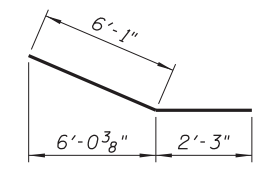
**BAR d<sub>101</sub> (E)**



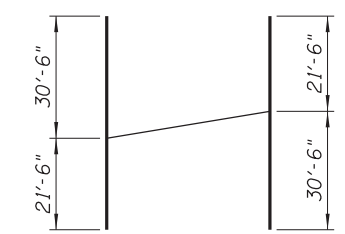
**BAR d<sub>102</sub> (E)**



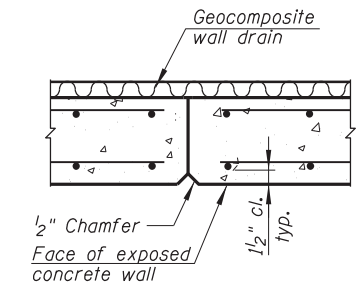
**BAR d<sub>103</sub> (E)**



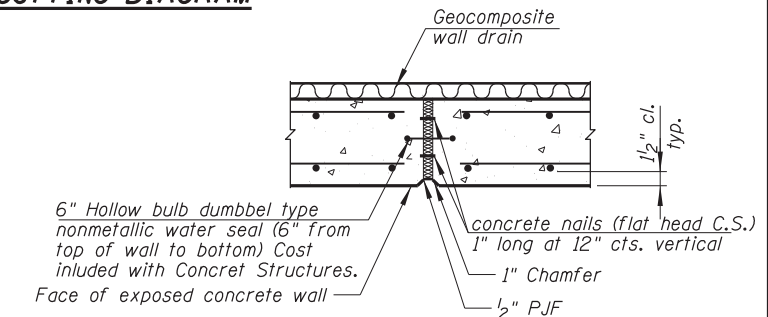
**BAR d<sub>104</sub> (E)**



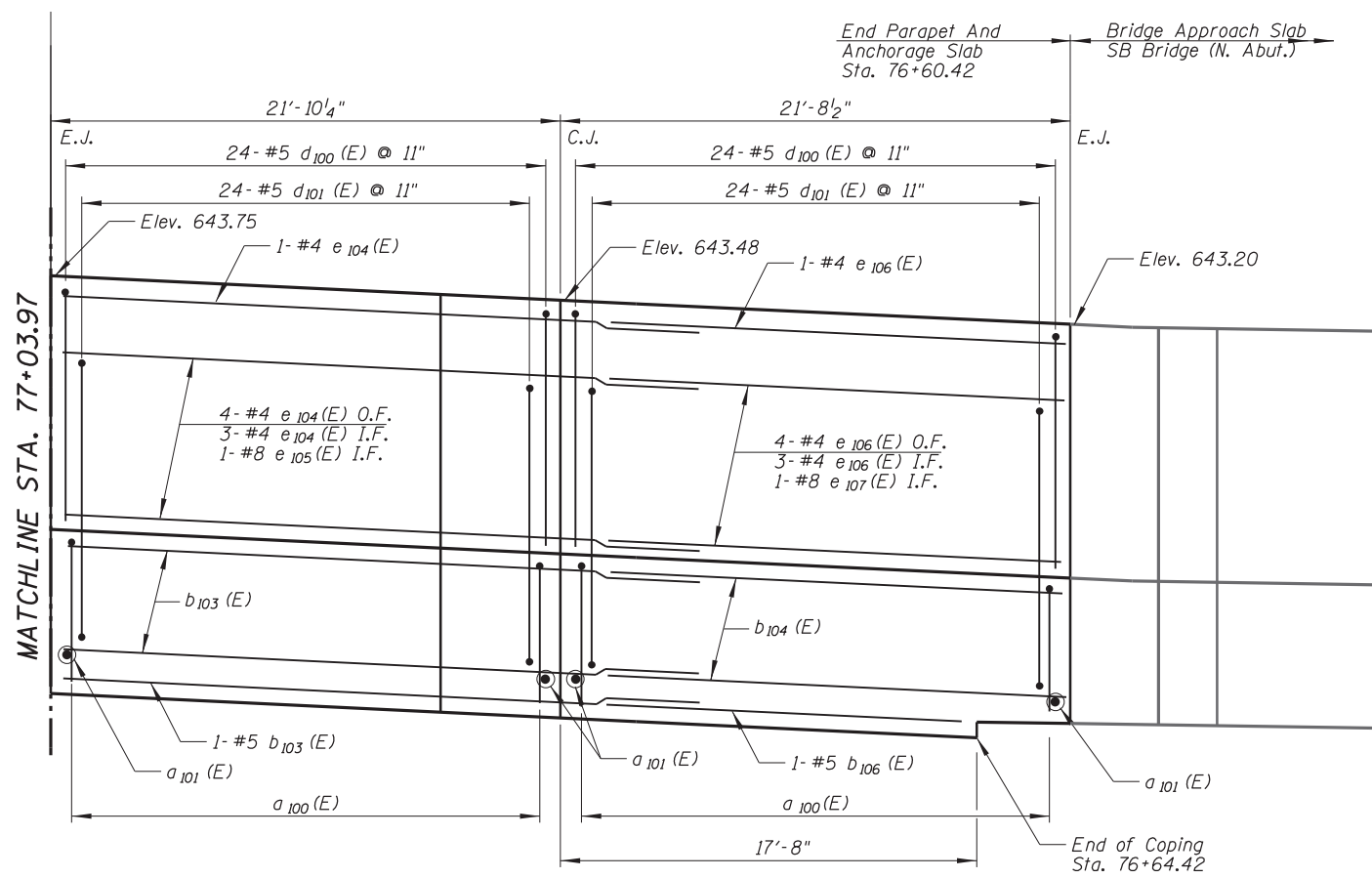
**BAR b<sub>104</sub> (E) CUTTING DIAGRAM**



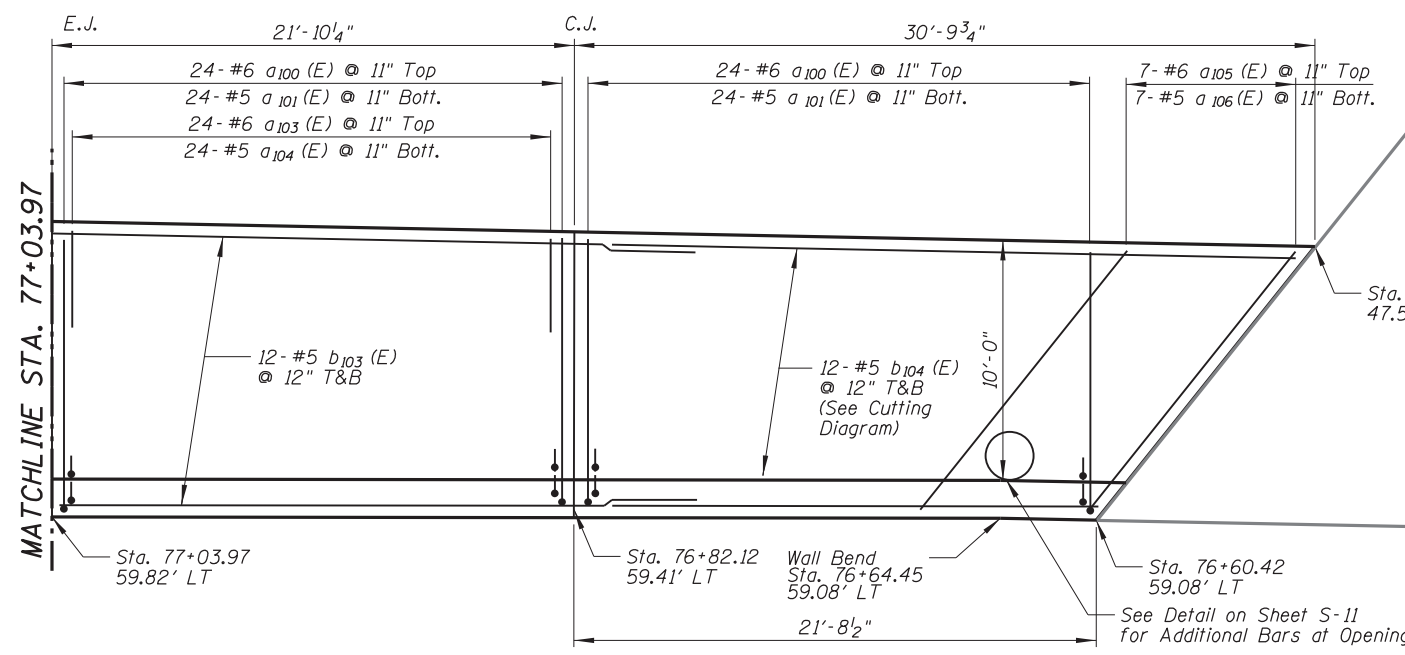
**CONSTRUCTION JOINT**



**EXPANSION JOINT**



**ELEVATION**



**PLAN**

N:\ROSEMONT\11000\3\CADD\_Sheets\DI160037-shr-ewall-010-cb.dgn

CHRISTOPHER B. BURKE ENGINEERING, LTD.  
8575 W. Higgins Road, Suite 600  
Rosemont, Illinois 60018  
(847) 924-6500

USER NAME =	DESIGNED - JMB	REVISED
PLOT SCALE =	CHECKED - MM	REVISED
PLOT DATE =	DRAWN - PDR	REVISED
	CHECKED - MM	REVISED

STATE OF ILLINOIS  
DEPARTMENT OF TRANSPORTATION

PARAPET AND ANCHORAGE SLAB REINFORCEMENT  
EAST RETAINING WALL - STRUCTURE NO. 016-1401

SHEET NO. S-10 OF S-14 SHEETS

F.A. RTE.	SECTION	COUNTY	TOTAL SHEETS	SHEET NO.
330	0105 WRS&HB	COOK	605	412
				CONTRACT NO. 60G37

ILLINOIS FED. AID PROJECT