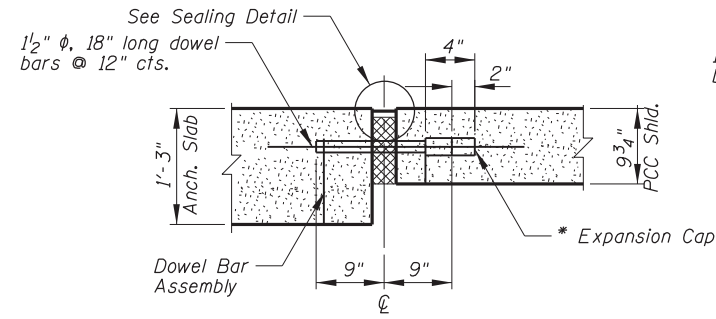
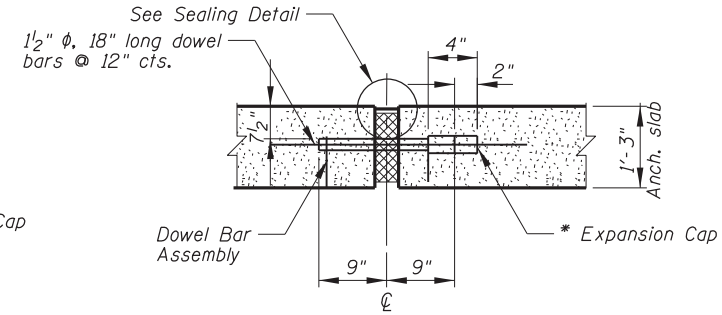


SEALING DETAIL



ANCHORAGE SLAB TO PCC SHOULDER



ANCHORAGE SLAB TO ANCHORAGE SLAB

TRANSVERSE EXPANSION JOINT

Expansion Joint and Dowel Bars included in the Cost of Concrete Superstructures.

* Expansion caps shall be installed on the exposed end of each dowel bar once the header has been removed and the joint filler material has been installed.

N:\PROJECTS\11000\CADD_Sheets\1166037-shr-ewell-012-cb.dgn

CHRISTOPHER B. BURKE ENGINEERING, LTD.
 8575 W. Higgins Road, Suite 600
 Rosemont, Illinois 60018
 (847) 924-6900

USER NAME =	DESIGNED - JMB	REVISED
	CHECKED - MM	REVISED
PLOT SCALE =	DRAWN - PDR	REVISED
PLOT DATE =	CHECKED - MM	REVISED

**STATE OF ILLINOIS
 DEPARTMENT OF TRANSPORTATION**

**PARAPET AND ANCHORAGE SLAB DETAILS
 EAST RETAINING WALL - STRUCTURE NO. 016-1401**

SHEET NO. S-12 OF S-14 SHEETS

F.A. RTE.	SECTION	COUNTY	TOTAL SHEETS	SHEET NO.
330	0105 WRS&HB	COOK	605	414
CONTRACT NO. 60G37				
ILLINOIS FED. AID PROJECT				