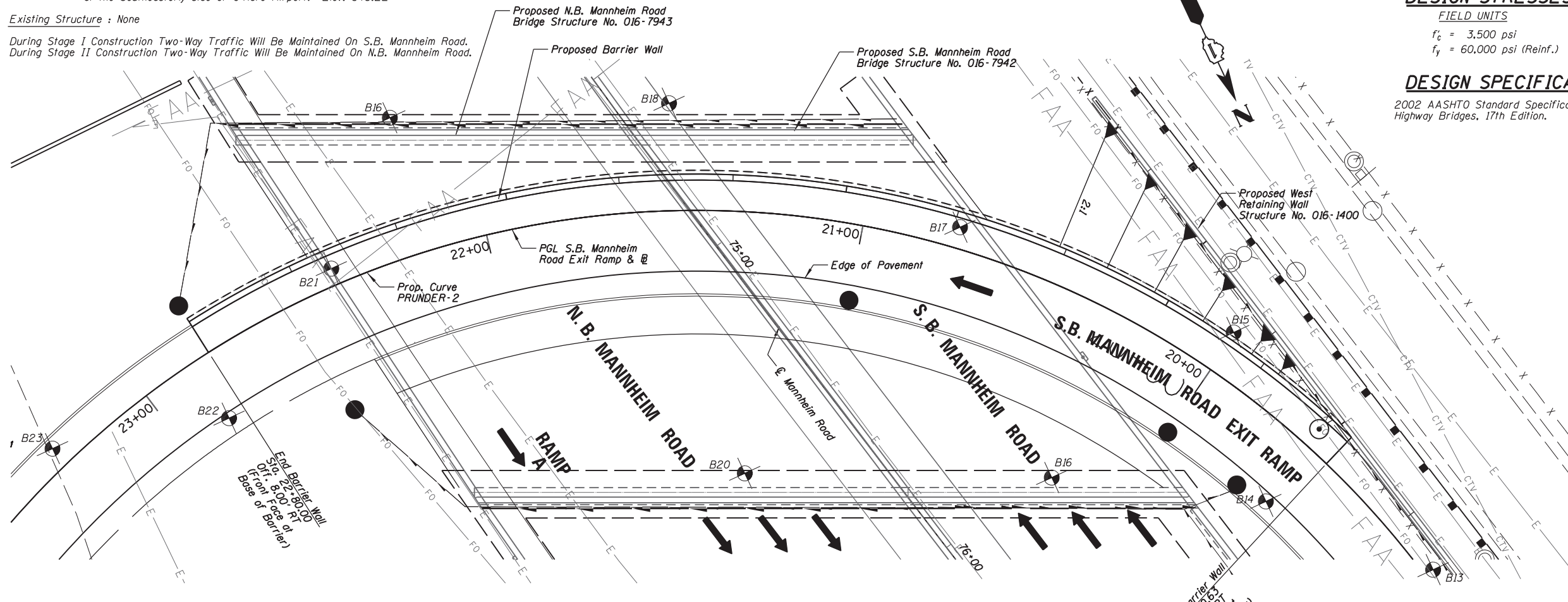


Bench Mark: MON 144 - Located East of Spine Road and West of Mannheim Road at the Southeastly side of O'Hare Airport. Elev. 643.22

Existing Structure : None

During Stage I Construction Two-Way Traffic Will Be Maintained On S.B. Mannheim Road.
During Stage II Construction Two-Way Traffic Will Be Maintained On N.B. Mannheim Road.



PLAN

DESIGN STRESSES

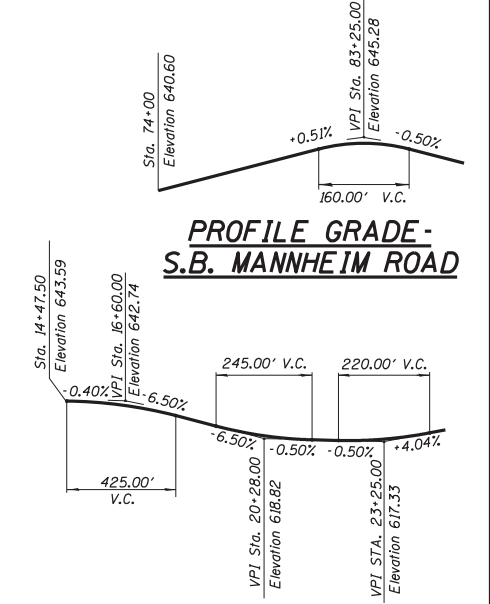
FIELD UNITS
 $f'_c = 3,500$ psi
 $f_y = 60,000$ psi (Reinf.)

DESIGN SPECIFICATIONS

2002 AASHTO Standard Specifications for Highway Bridges, 17th Edition.

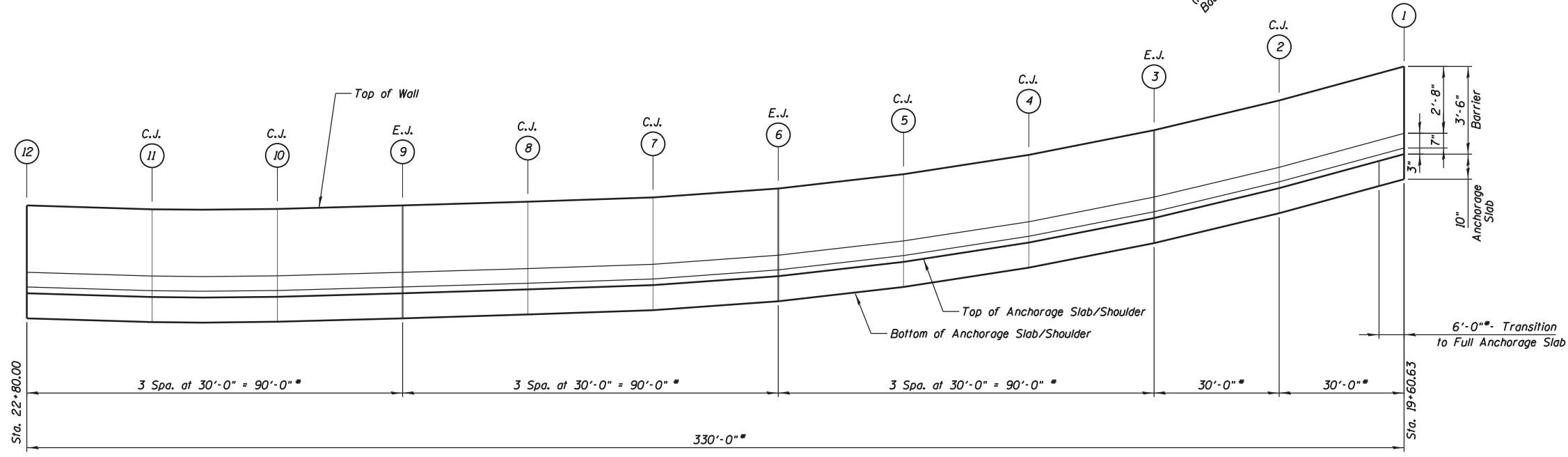
CURVE DATA

PROP. CURVE PRUNDER-2
 PI STA. = 21+60.04
 $\Delta = 89^\circ 00' 23''$ (LT)
 $D = 23^\circ 52' 24''$
 $R = 240.00'$
 $T = 235.83'$
 $L = 372.83'$
 $E = 96.51'$
 $e = -6.0\%$
 $T.R. = 0'$
 $S.E. RUN = 97'$
 $P.C. STA. = 19+24.17$
 $P.T. STA. = 22+97.00$



PROFILE GRADE - S.B. MANNHEIM ROAD

PROFILE GRADE - S.B. MANNHEIM ROAD EXIT RAMP



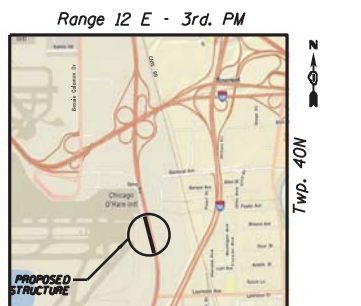
ELEVATION

* - Measured Along the Front Face of the Barrier Wall at the Base of the Barrier

NOTE: Weep Holes Omitted For Clarity

| Mark | Station | Offset | B/Barrier Elevation | T/Barrier Elevation |
|------|----------|----------|---------------------|---------------------|
| 1 | 19+60.63 | 8.00' RT | 623.81 | 627.31 |
| 2 | 19+89.66 | 8.00' RT | 622.66 | 626.16 |
| 3 | 20+18.70 | 8.00' RT | 621.47 | 624.97 |
| 4 | 20+47.73 | 8.00' RT | 620.49 | 623.99 |
| 5 | 20+76.76 | 8.00' RT | 619.72 | 623.22 |
| 6 | 21+05.79 | 8.00' RT | 619.15 | 622.65 |
| 7 | 21+34.82 | 8.00' RT | 618.79 | 622.29 |
| 8 | 21+63.86 | 8.00' RT | 618.62 | 622.12 |
| 9 | 21+92.89 | 8.00' RT | 618.47 | 621.97 |
| 10 | 22+21.92 | 8.00' RT | 618.33 | 621.83 |
| 11 | 22+50.95 | 8.00' RT | 618.32 | 621.82 |
| 12 | 22+80.00 | 8.00' RT | 618.47 | 621.97 |

NOTE: All Offsets Are Measured From The Proposed Baseline Of S.B. Mannheim Road Exit Ramp To The Front Face Of The Barrier Wall at the Base of the Barrier.



LOCATION SKETCH

N:\ROSEMONT\11000\CADD_Sheets\DI66037-sh-t-bwall-01-eb.dgn

CHRISTOPHER B. BURKE ENGINEERING, LTD.
 8575 W. Higgins Road, Suite 600
 Rosemont, Illinois 60018
 (647) 924-8900

| | | |
|--------------|----------------|---------|
| USER NAME = | DESIGNED - JMB | REVISED |
| PLOT SCALE = | CHECKED - MM | REVISED |
| PLOT DATE | DRAWN - PDR | REVISED |
| | CHECKED - MM | REVISED |

STATE OF ILLINOIS
 DEPARTMENT OF TRANSPORTATION

GENERAL PLAN AND ELEVATION
 BARRIER WALL

SHEET NO. S-1 OF S-3 SHEETS

| | | | | |
|--------------------|-------------|--------|---------------------------|-----------|
| F.A. RTE. | SECTION | COUNTY | TOTAL SHEETS | SHEET NO. |
| 330 | 0105 WRS&HB | COOK | 605 | 417 |
| CONTRACT NO. 60G37 | | | ILLINOIS FED. AID PROJECT | |