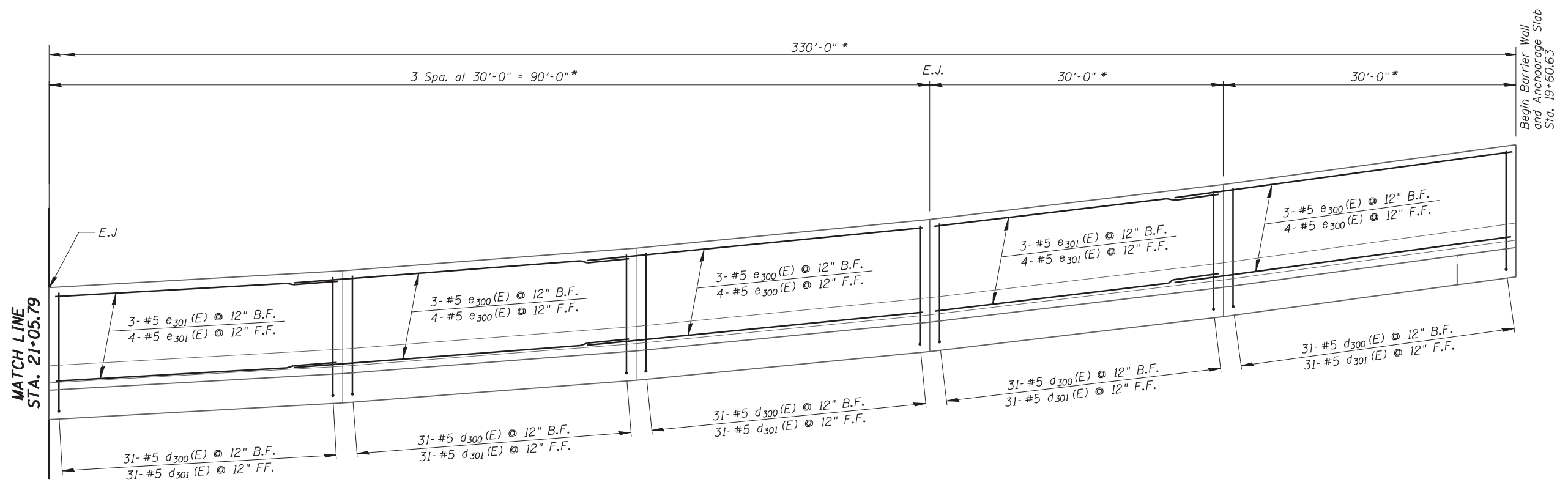


PLAN

** In Slab Transition, Bend w300 (E) Bars To Fit And Cut t300 (E) Bars To Fit



ELEVATION

* Measured Along The Front Face Of The Barrier Wall At The Base Of Barrier.

N:\ROSEMONT\11000\CADD_Sheets\DI166037-ahc-bwell-02-cebdgr

CHRISTOPHER B. BURKE ENGINEERING, LTD.
 8575 W. Higgins Road, Suite 600
 Rosemont, Illinois 60018
 (847) 924-6900

USER NAME =	DESIGNED - JMB	REVISED
PLOT SCALE =	CHECKED - MM	REVISED
PLOT DATE =	DRAWN - PDR	REVISED
	CHECKED - MM	REVISED

**STATE OF ILLINOIS
 DEPARTMENT OF TRANSPORTATION**

**ANCHORAGE SLAB PLAN
 AND BARRIER WALL ELEVATION
 STA. 19 + 60.63 TO STA. 21 + 05.79**

SHEET NO. S-2 OF S-3 SHEETS

F.A. RTE.	SECTION	COUNTY	TOTAL SHEETS	SHEET NO.
330	0105 WRS&HB	COOK	605	418
CONTRACT NO. 60G37				
ILLINOIS FED. AID PROJECT				