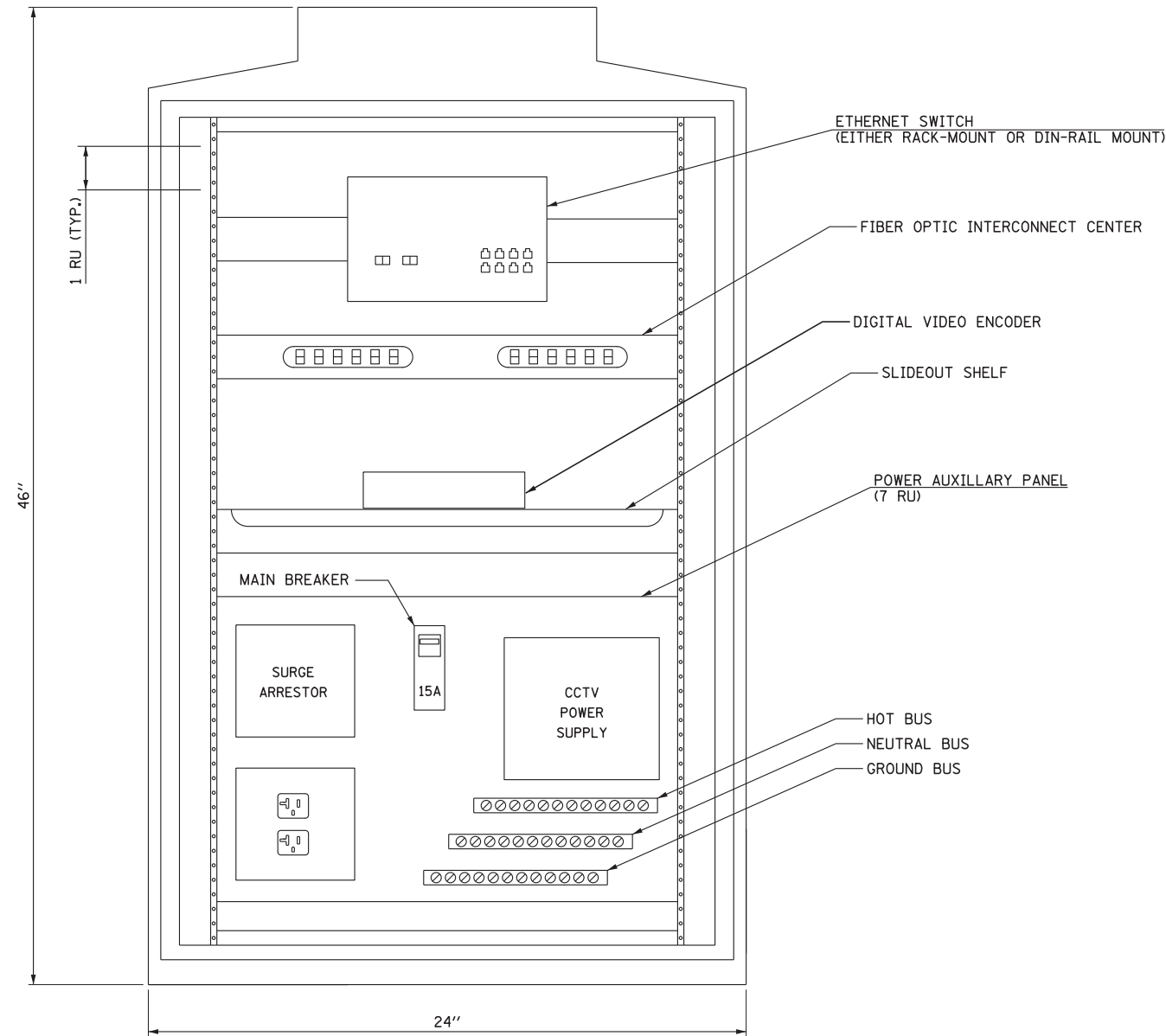
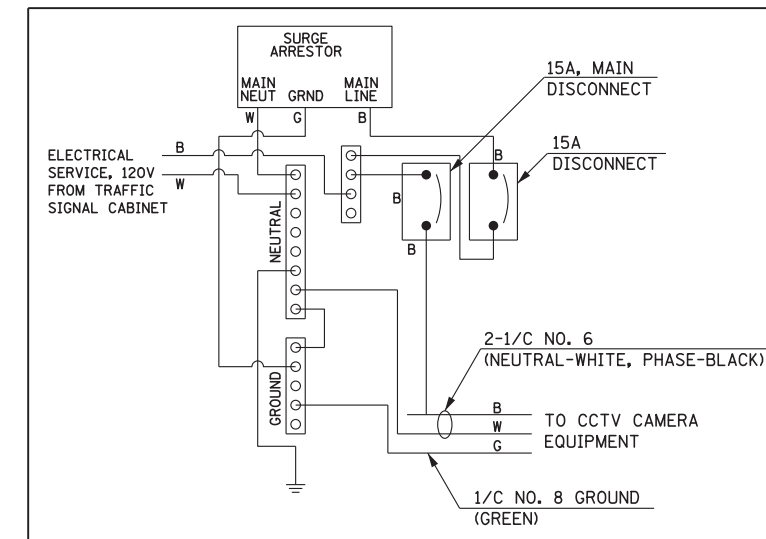


NOTES:

1. CABINET DIMENSIONS ARE ROUNDED TO THE NEAREST INCH.
2. THE CABINET SHALL BE MOUNTED TO THE POLE USING FOUR STAINLESS STEEL STRAPS.



SUGGESTED EQUIPMENT LAYOUT
CCTV EQUIPMENT IN TRAFFIC SIGNAL CABINET



ITS-22



USER NAME = micosir	DESIGNED DJJ	REVISED -
DRAWN BCC	REVISIONS -	
PLOT SCALE = 50:1	CHECKED YJ	REVISIONS -
PLOT DATE = 08-OCT-2012	DATE 10/19/12	REVISIONS -

STATE OF ILLINOIS
DEPARTMENT OF TRANSPORTATION

CCTV EQUIPMENT DETAIL

SCALE: SHEET NO. 2 OF 5 SHEETS STA. TO STA.

F.A.P. RTE.	SECTION	COUNTY	TOTAL SHEETS	SHEET NO.
330	0105 WRS&HB	COOK	605	458
CONTRACT NO. 60G37				
ILLINOIS FED. AID PROJECT				