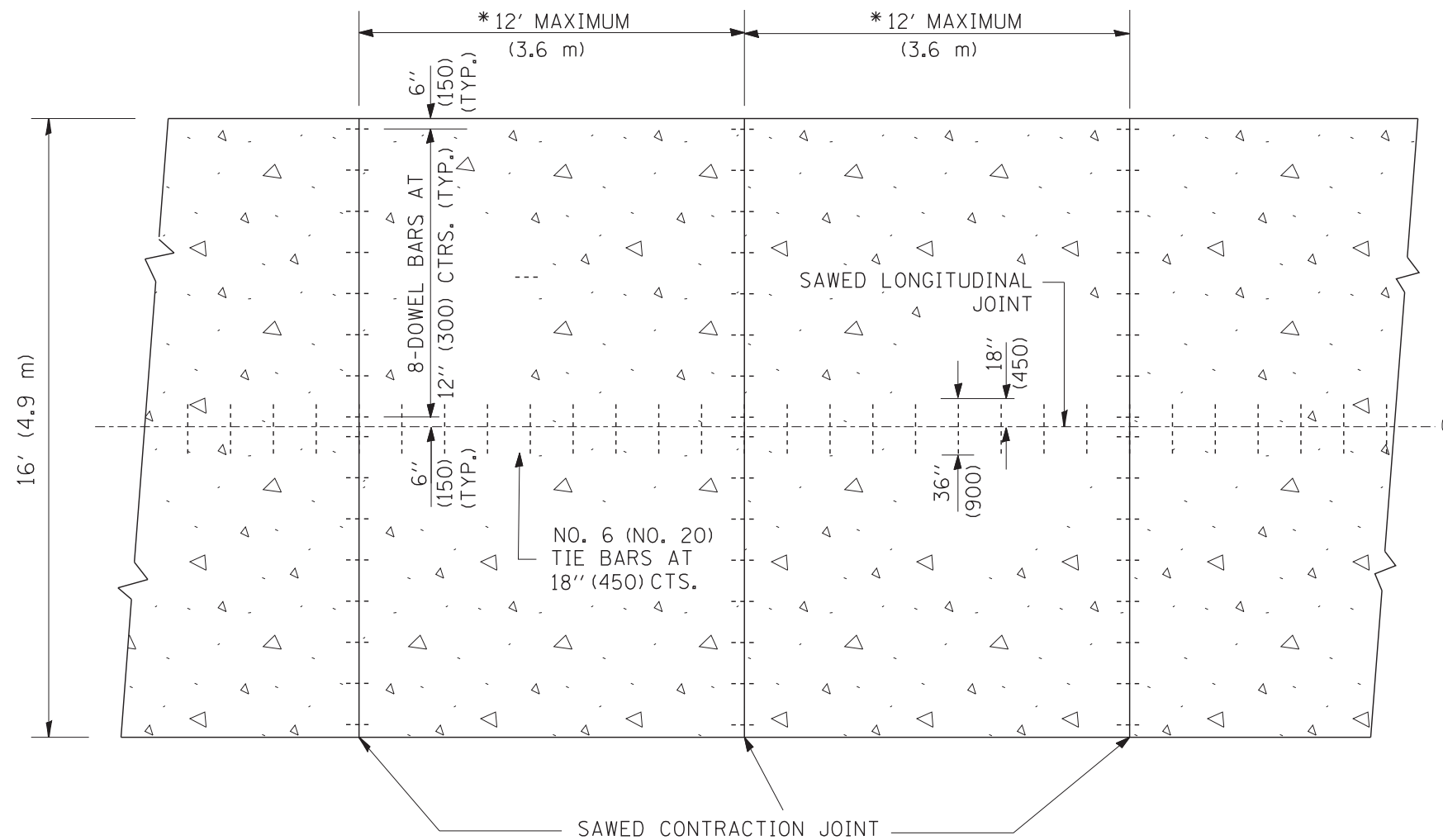


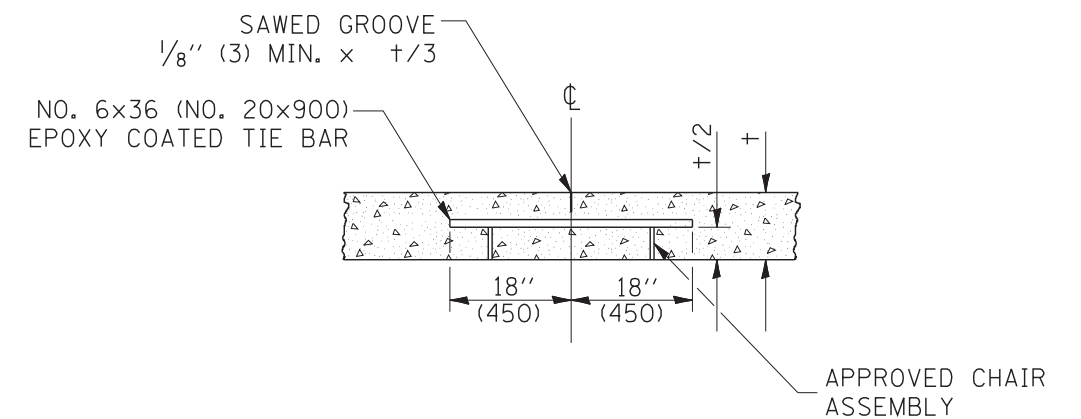
SECTION

NOTES:

1. CENTERLINE JOINT REMAINS IN THE CENTER WHEN RAMP TRANSITIONS TO TWO (2) RAMPS AT 12' (3.6 m).
2. ALL BARS TO BE EPOXY COATED.



PLAN



SAWED LONGITUDINAL JOINT

ALL DIMENSIONS ARE IN INCHES  
(MILLIMETERS) UNLESS OTHERWISE NOTED

FILE NAME = W:\diststd\22x34\bd49.dgn	USER NAME = geglionbt	DESIGNED -	REVISED -	STATE OF ILLINOIS DEPARTMENT OF TRANSPORTATION	DETAIL FOR CENTERLINE SAW CUT 16' (4.9 m) AND VARIABLE JOINTED PCC PAVEMENT FOR RAMPS	F.A. RTE.	SECTION	COUNTY	TOTAL SHEETS	SHEET NO.
	PLOT SCALE = 50.0000' / IN.	DRAWN - TOM MATOUSEK	REVISED -			BD49	CONTRACT NO.	605	471	
PLOT DATE = 1/4/2008	CHECKED - A. ABBAS	DATE - 10-18-02	REVISED -	SCALE: NONE	SHEET NO. 1 OF 1 SHEETS	STA.	TO STA.	FED. ROAD DIST. NO. 1 ILLINOIS FED. AID PROJECT		