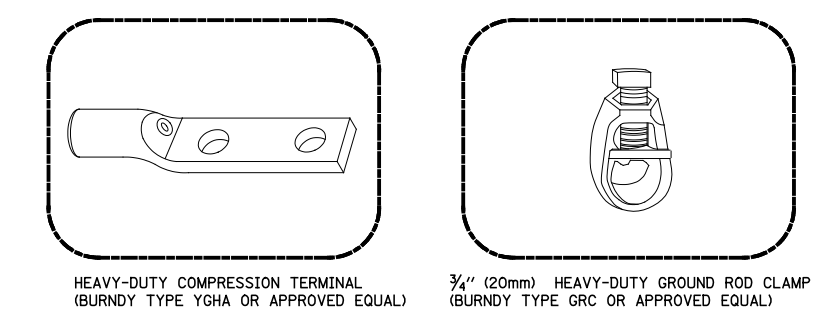
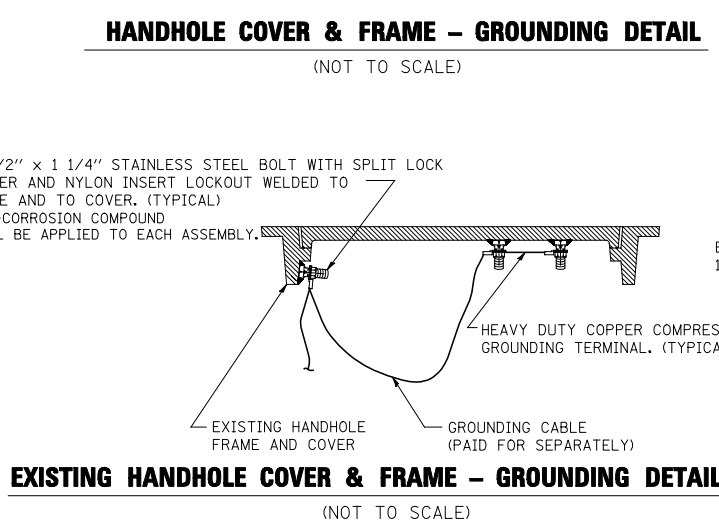
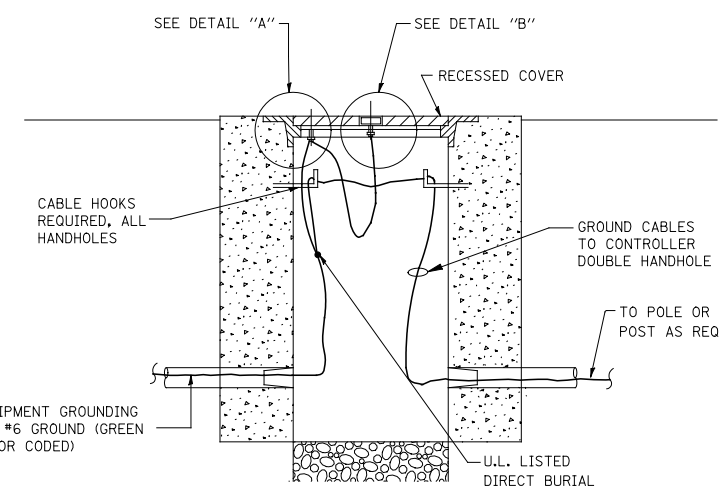
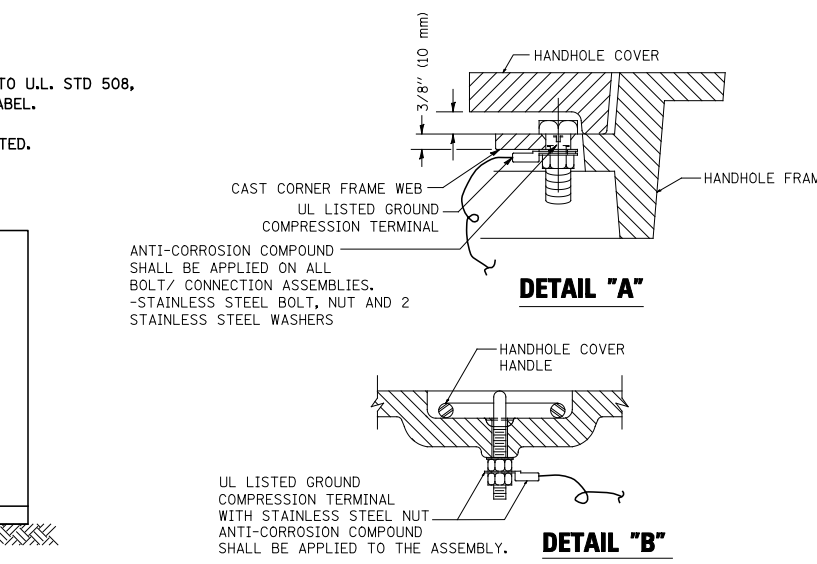
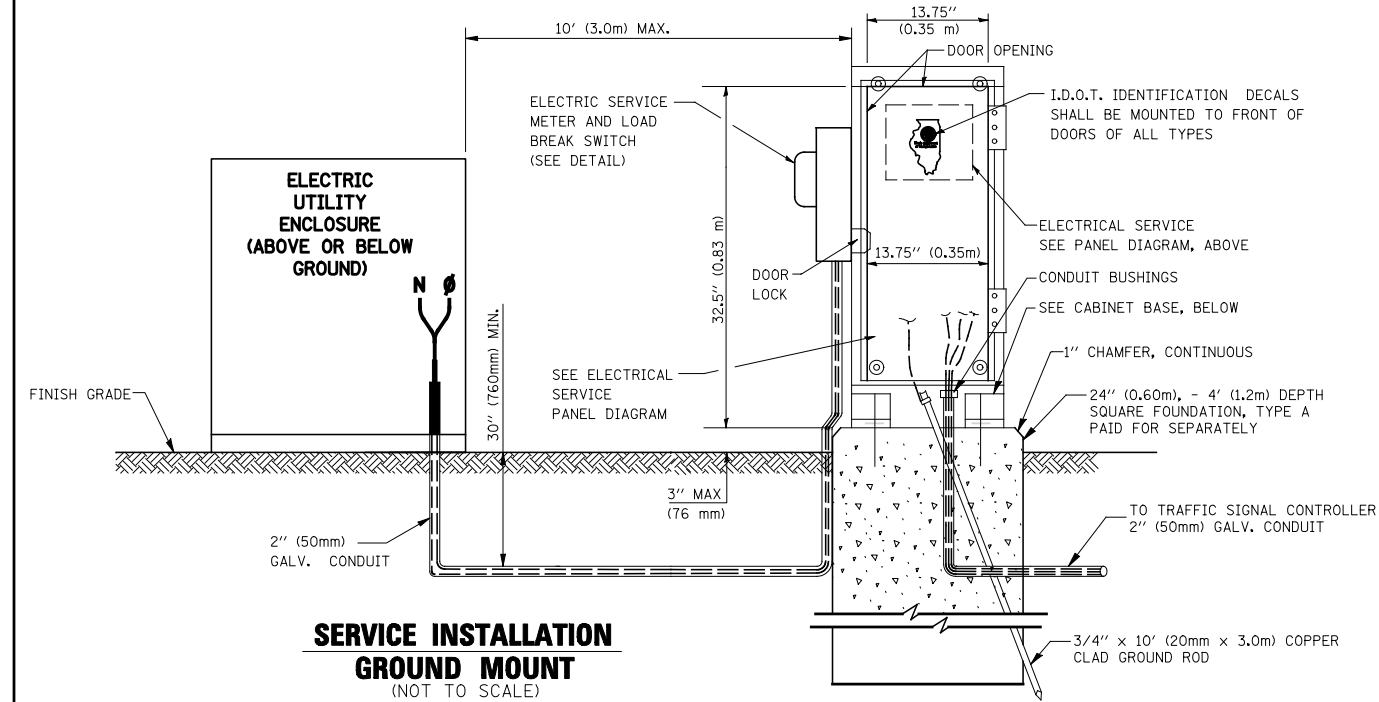
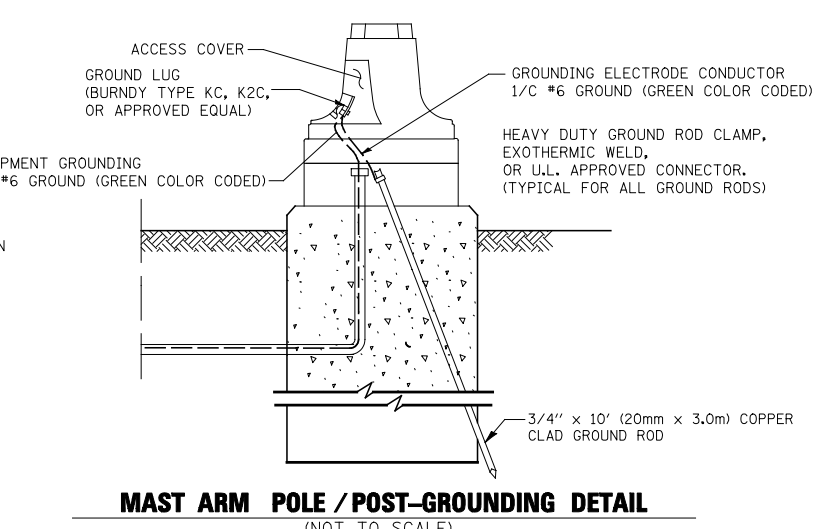


ELECTRICAL SERVICE – PANEL DIAGRAM (TYPICAL FOR POLE AND GROUND MOUNTED SERVICE)
SERVICE INSTALLATION POLE MOUNT (SHOWN)
 (NOT TO SCALE)



- NOTES:**
- ALL CLAMPS SHALL BE BRONZE OR COPPER, UL APPROVED.
 - GROUND CABLE SHALL BE LOOPED OVER HOOKS IN THE HANDHOLES 6.5' (2.0m) SLACK SHALL BE PROVIDED IN SINGLE HANDHOLES 13' (4.0m) OF SLACK SHALL BE PROVIDED IN DOUBLE HANDHOLES. 5' (1.4m) OF SLACK SHALL BE PROVIDED BETWEEN FRAME AND COVER.



FILE NAME =	USER NAME = #USER#	DESIGNED <i>MJM</i>	REVISED -
#FILEL#		DRAWN <i>KES</i>	REVISED -
	PLOT SCALE = #SCALE#	CHECKED <i>JCM</i>	REVISED -
	PLOT DATE = #DATE#	DATE <i>10/15/2012</i>	REVISED -

STATE OF ILLINOIS
DEPARTMENT OF TRANSPORTATION

METERED ELECTRIC SERVICE			
TRAFFIC SIGNAL DESIGN DETAILS			
SCALE: NONE	SHEET NO. 52 OF 53 SHEETS	STA.	TO STA.

F.A.P. RTE.	SECTION	COUNTY	TOTAL SHEETS	SHEET NO.
338	(112 & 113) WRS-5	DUPAGE	963	467
TS-51		CONTRACT NO. 60131		
ILLINOIS FED. AID PROJECT				