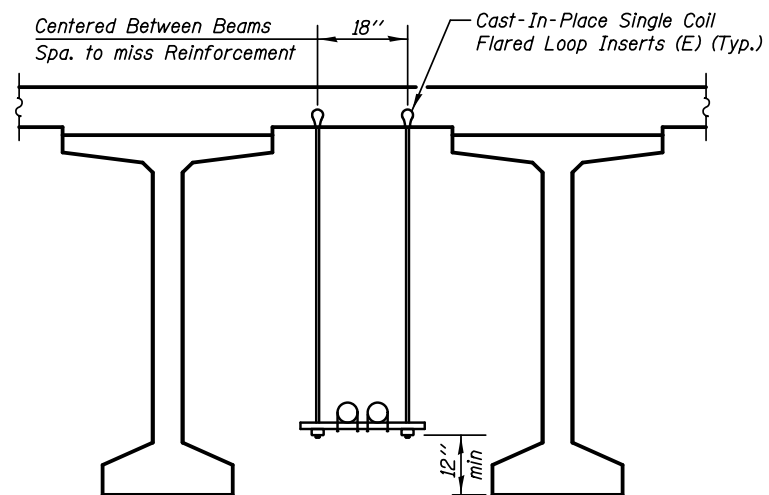


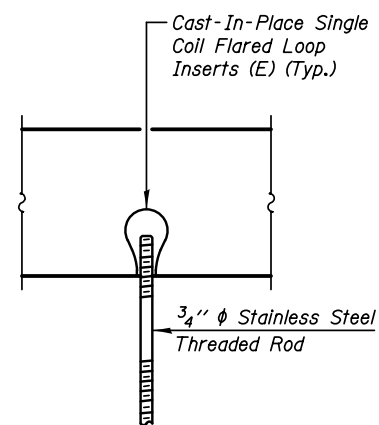
CONDUIT SUPPORT PLAN
(SB Bridge)

NOTE A

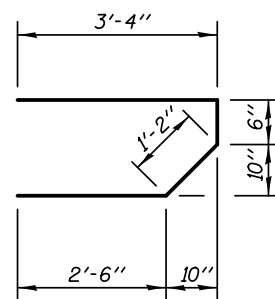
Coordinate single coil flared loop inserts with Electrical Contractor. Cost shall be included with Concrete Superstructure.



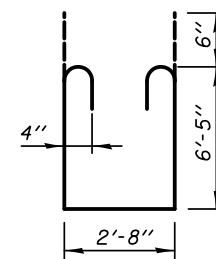
CONDUIT SUPPORT DETAIL



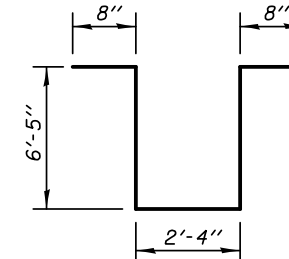
THREADED COIL LOOP INSERTS DETAIL



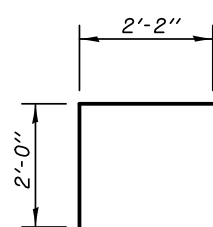
BAR s₁₀₀₀(E)



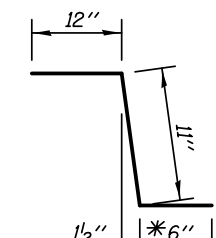
BAR s₁₀₀₁(E)



BAR s₁₀₀₂(E)

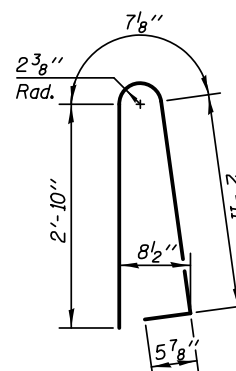


BAR v₁₀₀₀(E)

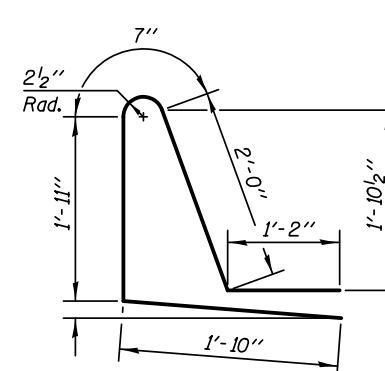


BAR c₁₀₀₀(E)

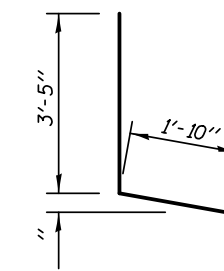
*In lieu of bottom leg, c₁₀₀₀(E) bars may be cored and set according to Article 509.06 of the Standard Specifications. Cored holes shall be roughened or scored per manufacturer's recommendations. Maximum depth of cored hole shall not exceed 6".



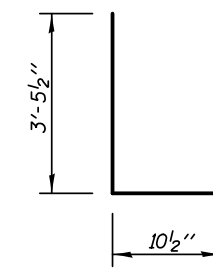
BAR d₁₀₀₀(E)



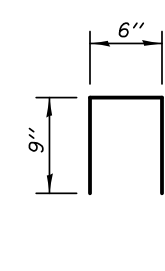
BAR d₁₀₀₁(E)



BAR d₁₀₀₂(E)



BAR d₁₀₀₃(E)



BAR d₁₀₀₄(E)

BILL OF MATERIAL

BAR	NO.	SIZE	LENGTH	SHAPE
a1000(E)	436	#5	34'-0"	—
a1001(E)	436	#5	22'-0"	—
a1002(E)	305	#5	31'-6"	—
a1003(E)	305	#5	25'-0"	—
a1004(E)	433	#6	6'-6"	—
a1005(E)	24	#5	1'-6"	—
b1000(E)	392	#6	39'-6"	—
b1001(E)	318	#8	27'-3"	—
b1002(E)	440	#6	35'-0"	—
b1003(E)	96	#6	25'-3"	—
b1004(E)	72	#5	31'-0"	—
c1000(E)	254	#5	2'-5"	┌
c1001(E)	254	#5	5'-8"	—
d1000(E)	276	#5	6'-10"	┌
d1001(E)	276	#5	7'-6"	┌
d1002(E)	254	#4	5'-3"	┌
d1003(E)	254	#6	4'-4"	┌
d1004(E)	64	#4	2'-0"	┌
e1000(E)	156	#4	15'-8"	—
e1001(E)	28	#4	14'-8"	—
e1002(E)	26	#4	15'-2"	—
e1003(E)	8	#8	32'-0"	—
e1004(E)	2	#8	14'-8"	—
e1005(E)	8	#4	29'-9"	—
m1000(E)	24	#6	28'-9"	—
m1001(E)	48	#6	10'-3"	—
m1002(E)	28	#6	4'-1"	—
m1003(E)	4	#6	2'-7"	—
m1004(E)	56	#4	5'-9"	—
m1005(E)	8	#8	6'-2"	—
s1000(E)	110	#5	7'-6"	┌
s1001(E)	68	#4	16'-6"	┌
s1002(E)	28	#4	16'-6"	┌
v1000(E)	108	#5	4'-2"	┌
Reinforcement Bars, Epoxy Coated			LB	139890
Concrete Superstructure			Cu. Yd.	593.0
Bridge Deck Grooving			Sq. Yd.	1237.0
Protective Coat			Sq. Yd.	1666.0

KNIGHT

Engineers & Architects

DESIGNED - WPM	REVISIONS
CHECKED - TB	REVISIONS
DRAWN - TB	REVISIONS
CHECKED - WPM	REVISIONS
SCALE - NONE	
DATE - 10/15/2012	

STATE OF ILLINOIS
DEPARTMENT OF TRANSPORTATION

DECK MISCELLANEOUS DETAILS (SB)
S.N. 022-2029 (SB) TOLLWAY B.N. 826
S.N. 022-2030 (NB) TOLLWAY B.N. 825
SHEET NO. SA-24 OF 63 SHEETS

F.A.P. RTE.	SECTION	COUNTY	TOTAL SHEETS	SHEET NO.
338	(112 & 113) WRS-5	DUPAGE	963	608
CONTRACT NO. 60131				
ILLINOIS FED. AID PROJECT				