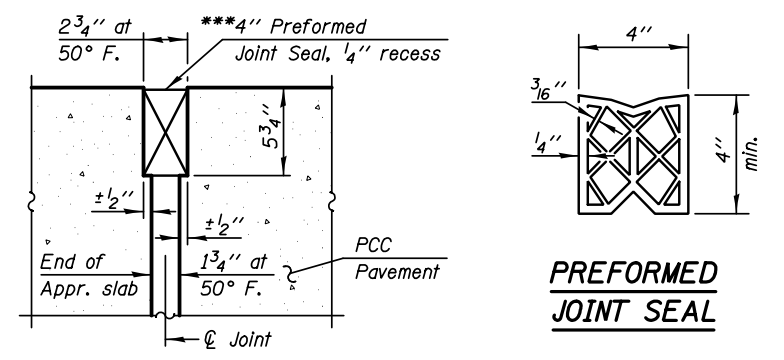


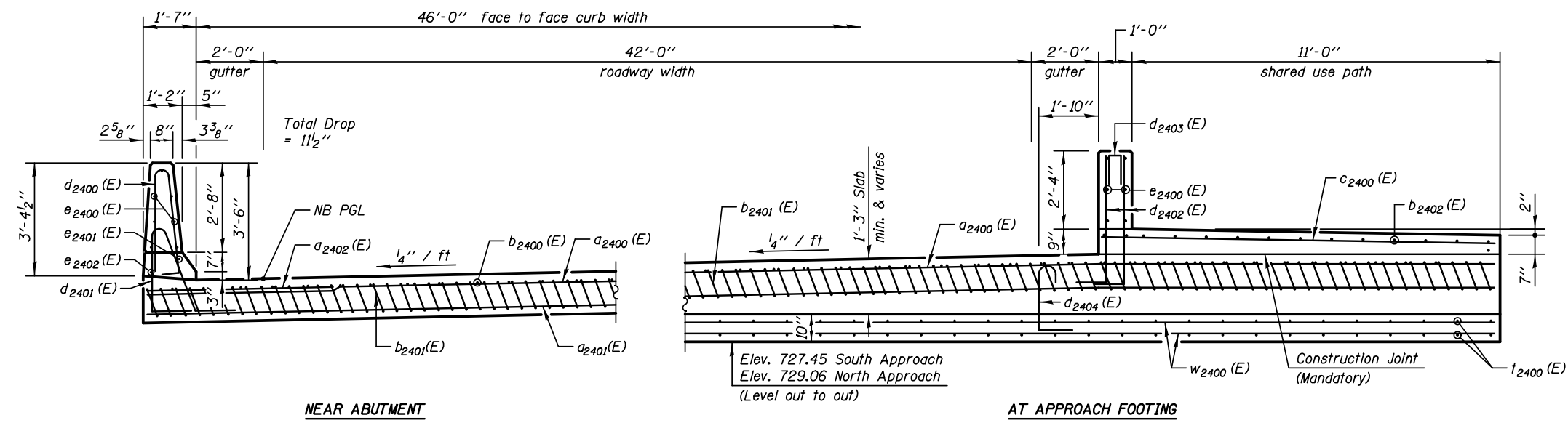
SECTION C-C



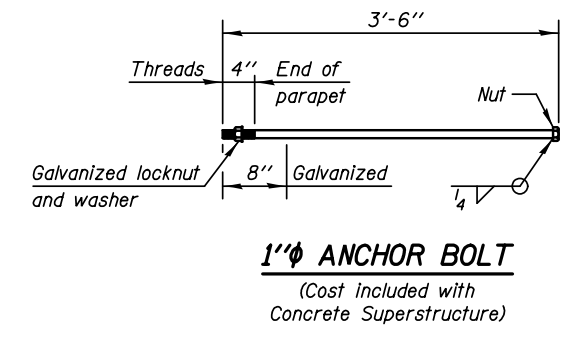
PREFORMED JOINT SEAL

*Tilt #9 b₁₄₀₁(E) bars as required to maintain clearance.
 ***Cost included with Concrete Superstructure.

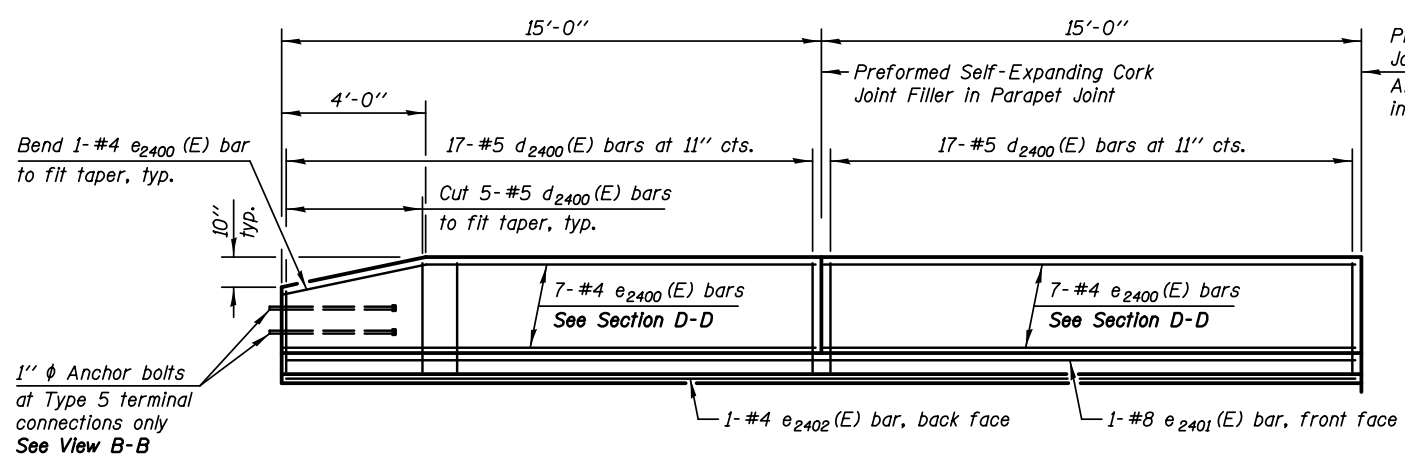
DETAIL A



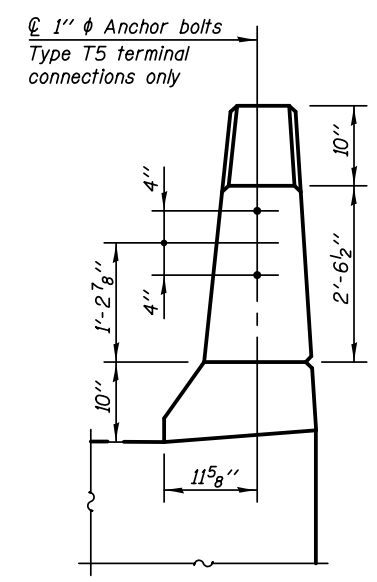
SECTION D-D
 (See Plan for dimensions not shown)



1" ANCHOR BOLT
 (Cost included with Concrete Superstructure)



VIEW E-E
 Dimensions along inside face of parapet
 South Approach parapet shown, North Approach parapet opposite hand



VIEW B-B

Notes:
 The approach footing maximum applied service bearing pressure (Q_{max}) = 2.0 ksf.
 See Sheet SA-29 for v₂₀₀₀(E) bar details
 See Sheet SA-55 for bar splicer details.
 See Sheet SA-03 for Granular Backfill for Structures and drainage treatment details.
 See Sheet SA-27 for Parapet Joint Details and additional parapet details.