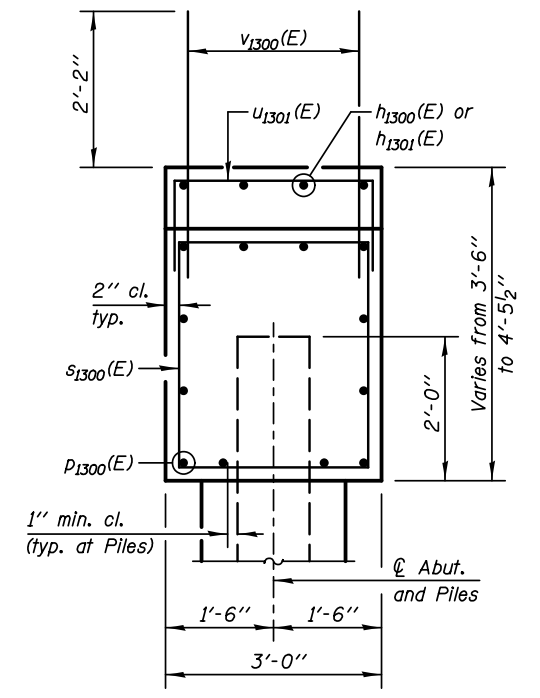
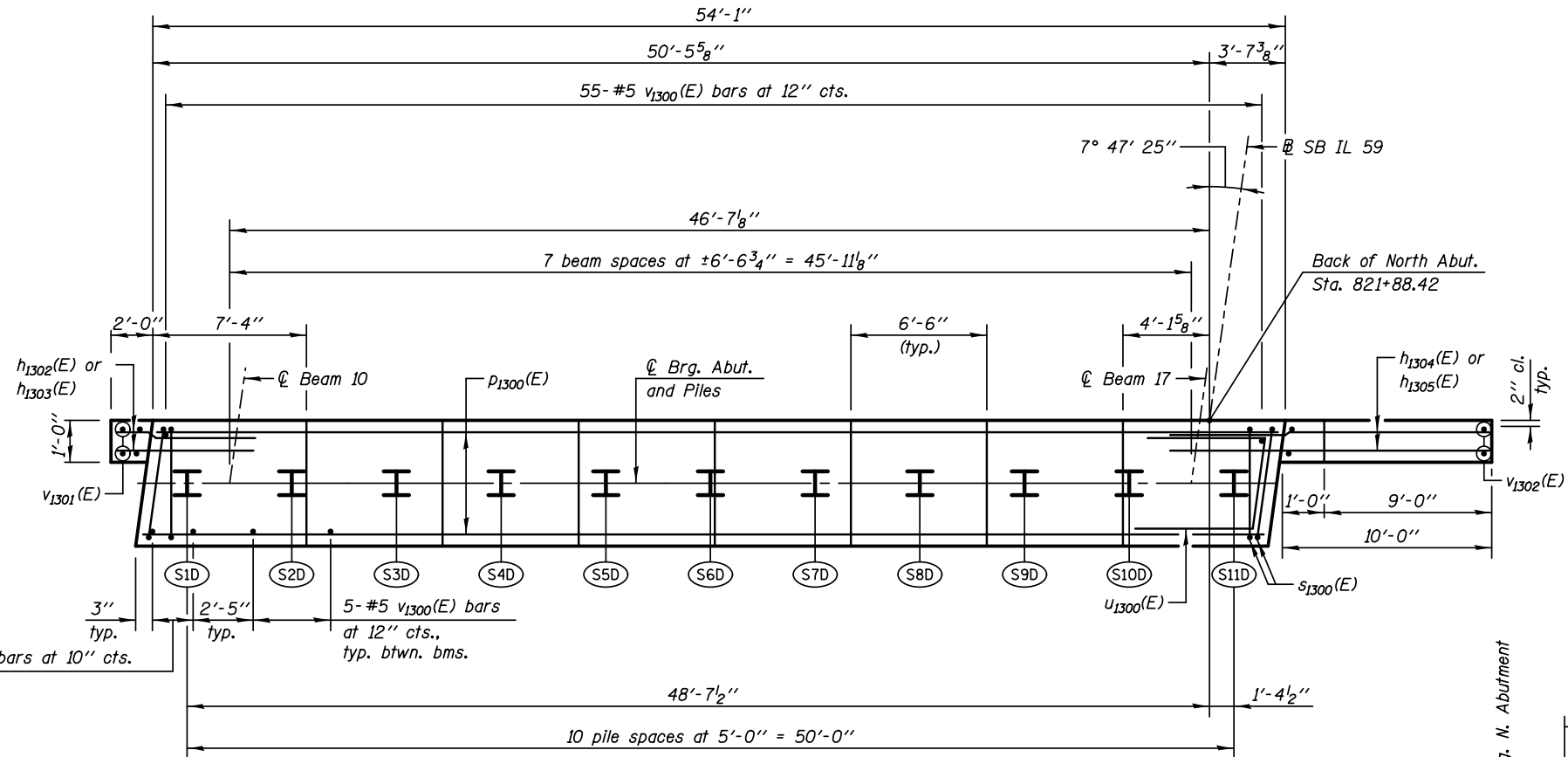


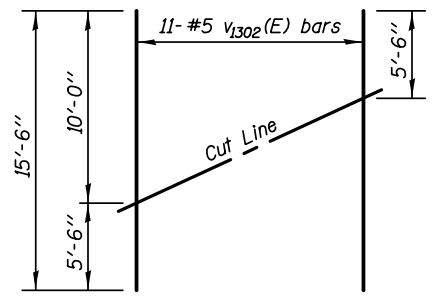
ELEVATION
(Looking North)



SEC. THRU ABUT.



PLAN - NORTH ABUTMENT
(SB Bridge)

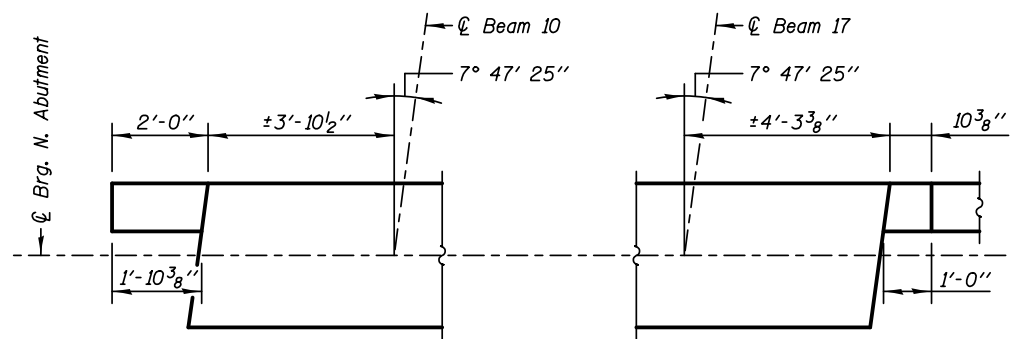


FIELD CUTTING DIAGRAM

Order v1302(E) full length. Cut as shown and use remainder of bars in opposite face.

BEARING SEAT ELEVATIONS

BEAM	BRG. SEAT ELEVATION	STEP T- Inch
10	725.52	1 3/4"
11	725.37	1 5/8"
12	725.24	1 5/8"
13	725.10	1 3/4"
14	724.96	1 5/8"
15	724.82	1 5/8"
16	724.69	1 1/2"
17	724.56	



ABUTMENT CORNER DETAILS

PILE DATA

Type & Size: Steel HP 14x73
Nominal Required Bearing: 578 Kips
Factored Resistance Available: 318 Kips
Est. Length: 65 ft
No. Production Piles: 10
No. Test Piles: 1

NOTES

Four steps monolithically with cap.
Bars indicated thus 20x3-#15 indicates 20 lines of bars with 3 lengths per line.
See Sheet SA-04 for additional Pile Layout details.
See Sheet SA-48 for details and Bill of Material.

See Sheet SA-50 for Chain Link Fence post spacing.
See Roadway Plans for additional Chain Link Fence details.

LEGEND

E.F. Each Face
S1D Pile Number

MIN. BAR LAP

Vertical Bars #5 - 2'-7"
Horizontal Bars #5 - 2'-11"
#7 - 4'-8"