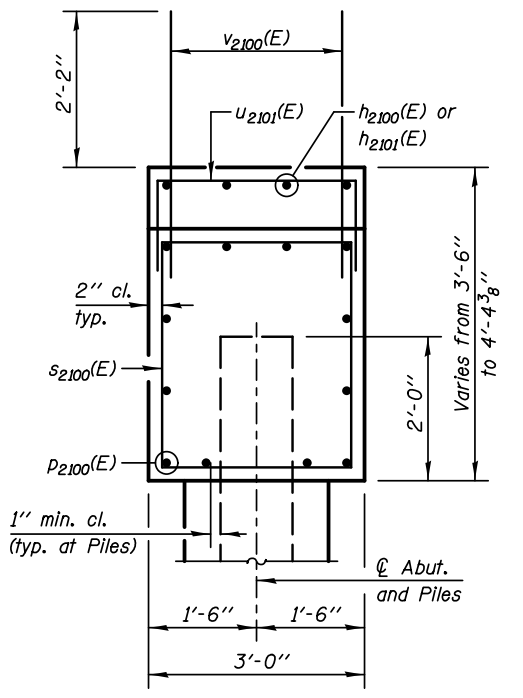
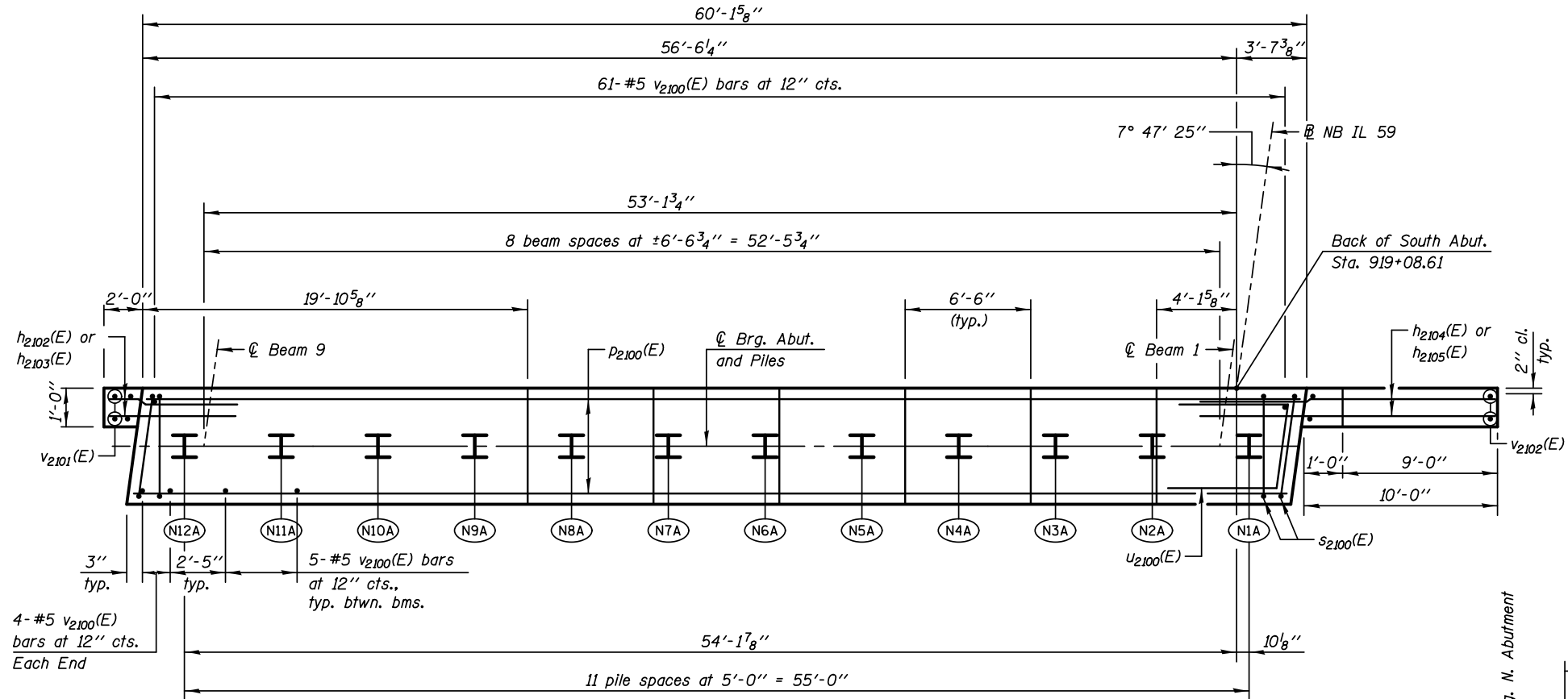


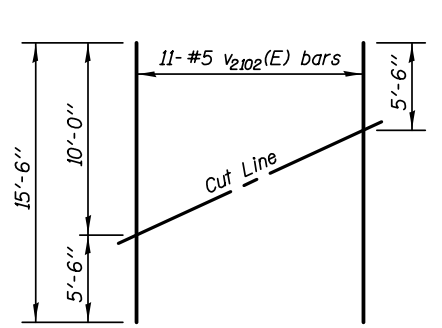
ELEVATION
(Looking South)



SEC. THRU ABUT.



PLAN - SOUTH ABUTMENT
(NB Bridge)

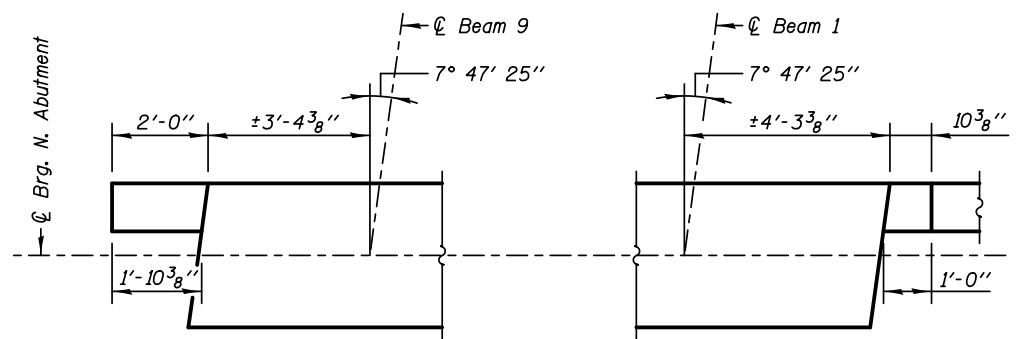


FIELD CUTTING DIAGRAM

Order v2102(E) full length. Cut as shown and use remainder of bars in opposite face.

BEARING SEAT ELEVATIONS

BEAM	BRG. SEAT ELEVATION	STEP T- inch
1	723.15	1 5/8"
2	723.29	1 3/4"
3	723.43	1 3/4"
4	723.58	1 3/4"
5	723.72	1 3/4"
6	723.87	1 3/4"
7	724.02	1 3/4"
8	724.02	
9	724.02	



ABUTMENT CORNER DETAILS

PILE DATA

Type & Size: Steel HP 14x73
 Nominal Required Bearing: 499 Kips
 Factored Resistance Available: 274 Kips
 Est. Length: 60 ft
 No. Production Piles: 11
 No. Test Piles: 1

NOTES

Four steps monolithically with cap.
 Bars indicated thus 20x3-#15 indicates 20 lines of bars with 3 lengths per line.
 See Sheet SA-04 for additional Pile Layout details.
 See Sheet SA-48 for details and Bill of Material.

See Sheet SA-49 for Chain Link Fence post spacing.

See Roadway Plans for additional Chain Link Fence details.

LEGEND

E.F. Each Face
 (N1A) Pile Number

MIN. BAR LAP

Vertical Bars #5 - 2'-7"
 Horizontal Bars #5 - 2'-11"
 #7 - 4'-8"



DESIGNED - WPM	REVISION
CHECKED - TB	REVISION
DRAWN - TB	REVISION
CHECKED - WPM	REVISION

STATE OF ILLINOIS
 DEPARTMENT OF TRANSPORTATION

SOUTH ABUTMENT (NB)
 S.N. 022-2029 (SB) TOLLWAY B.N. 826
 S.N. 022-2030 (NB) TOLLWAY B.N. 825
 SHEET NO. SA-46 OF 63 SHEETS

F.A.P. RTE.	SECTION	COUNTY	TOTAL SHEETS	SHEET NO.
338	(112 & 113) WRS-5	DUPAGE	963	630
CONTRACT NO. 60131				

ILLINOIS FED. AID PROJECT