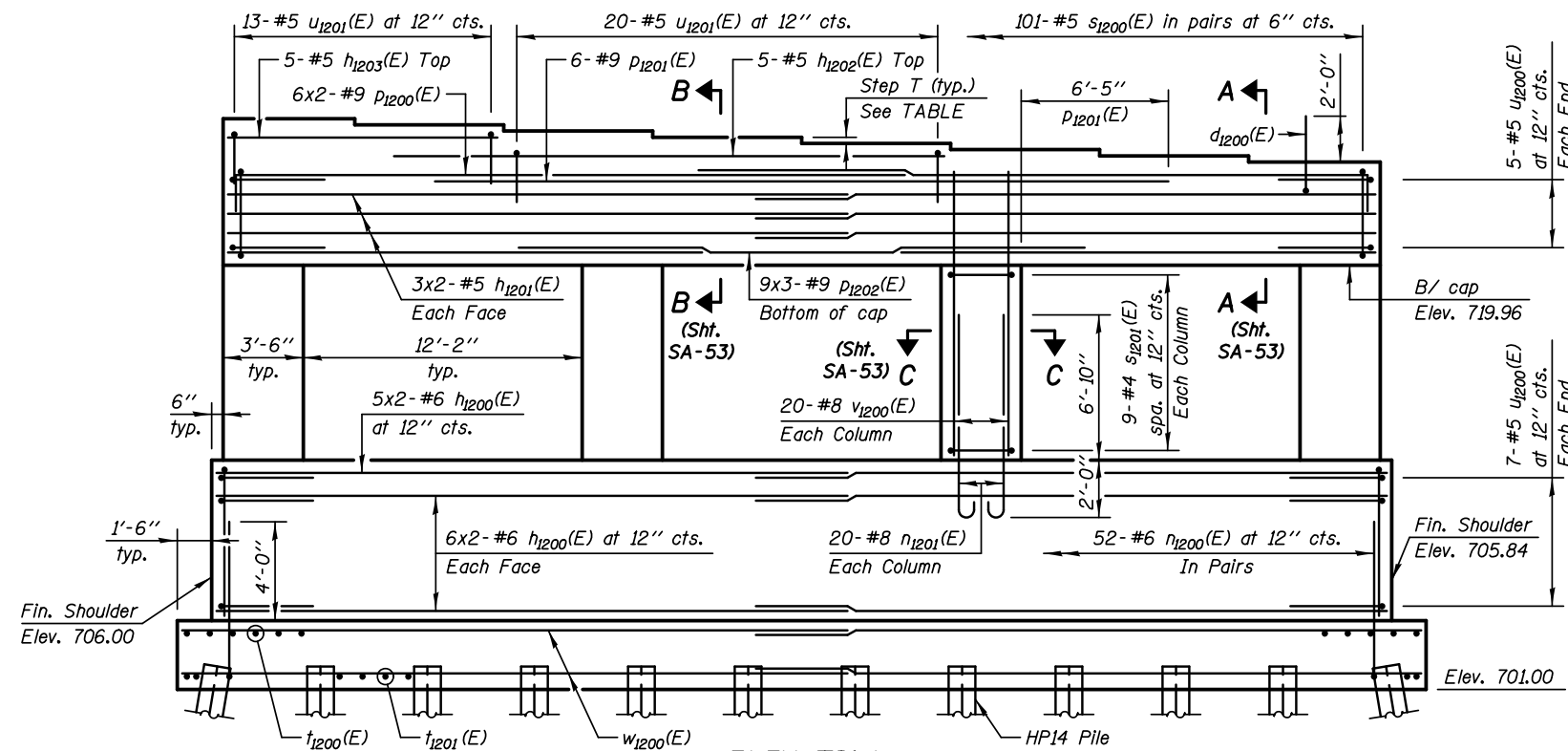
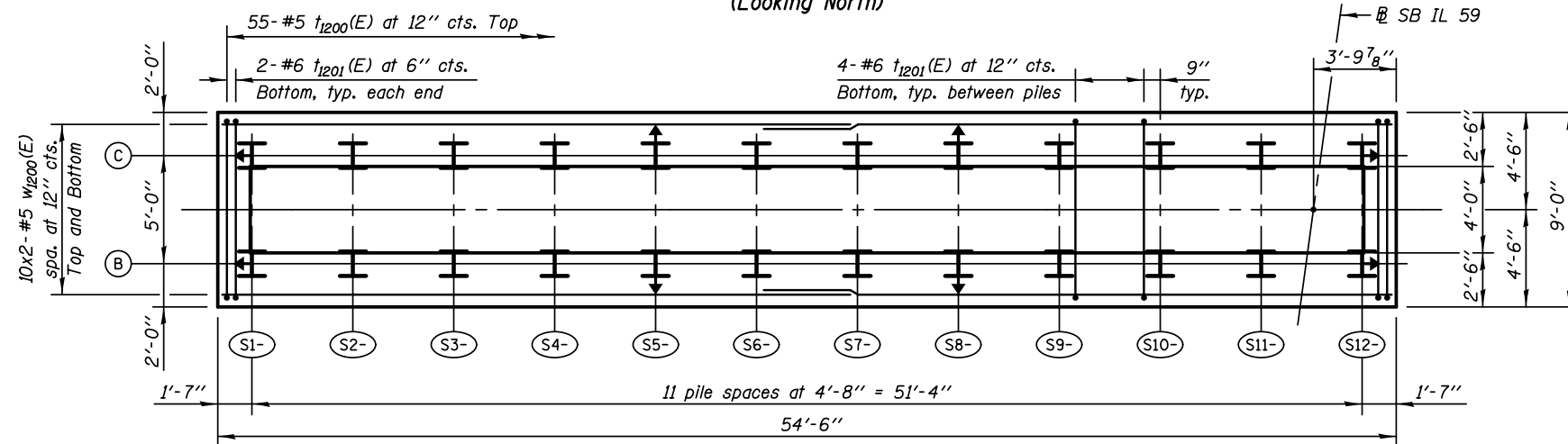


TOP PLAN



**ELEVATION
(Looking North)**



FOOTING PLAN

BEARING SEAT ELEVATIONS

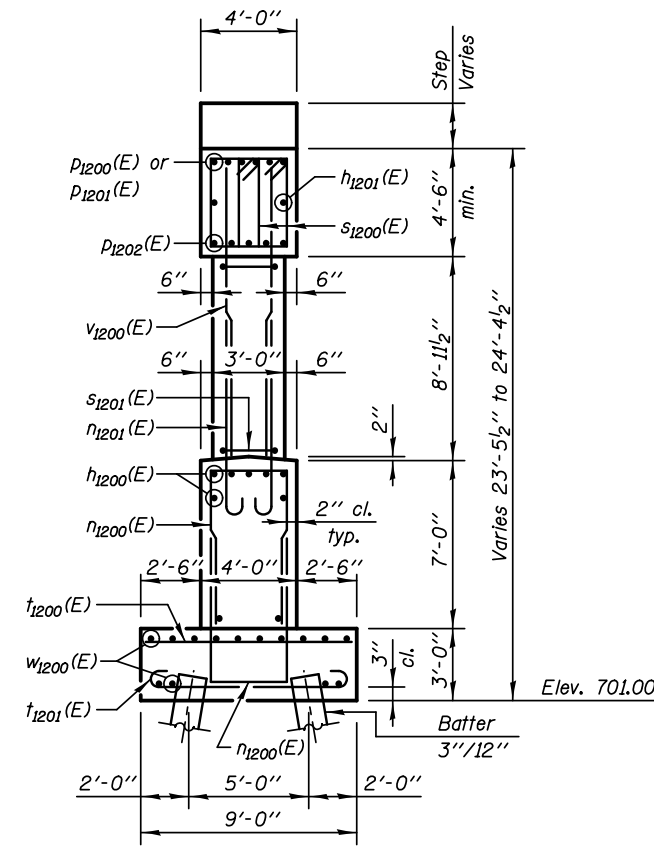
BEAM	BRG. SEAT ELEVATION	STEP T- inch
10	725.38	
11	725.24	1 5/8"
12	725.11	1 5/8"
13	724.97	1 5/8"
14	724.85	1 1/2"
15	724.71	1 5/8"
16	724.59	1 1/2"
17	724.46	1 1/2"

LEGEND

- E.F. Each Face
- (SIB) Pile Number
- I Vertical Pile
- I Battered Pile

PILE DATA

Type & Size: Steel HP 14x73
 Nominal Required Bearing: 509 Kips
 Factored Resistance Available: 280 Kips
 Est. Length: 51 ft
 No. Production Piles: 23
 No. Test Piles: 1



END VIEW

NOTES

- Four steps monolithically with cap.
- Bars indicated thus 20x3-#15 indicates 20 lines of bars with 3 lengths per line.
- See Sheet SA-04 for additional Pile Layout details.
- See Sheet SA-53 for Section A-A, B-B & C-C, details and Bill of Material.

MIN. BAR LAP

- Vertical Bars #5 - 2'-7"
- Horizontal Bars #5 - 2'-11"
- #7 - 4'-8"

KNIGHT
Engineers & Architects

DESIGNED - WPM	REVISIONS
CHECKED - TB	REVISIONS
SCALE - NONE	REVISIONS
DATE - 10/15/2012	REVISIONS

**STATE OF ILLINOIS
DEPARTMENT OF TRANSPORTATION**

PIER (SB)
 S.N. 022-2029 (SB) TOLLWAY B.N. 826
 S.N. 022-2030 (NB) TOLLWAY B.N. 825
 SHEET NO. SA-51 OF 63 SHEETS

F.A.P. RTE.	SECTION	COUNTY	TOTAL SHEETS	SHEET NO.
338	(112 & 113) WRS-5	DUPAGE	963	635
CONTRACT NO. 60131				
ILLINOIS FED. AID PROJECT				